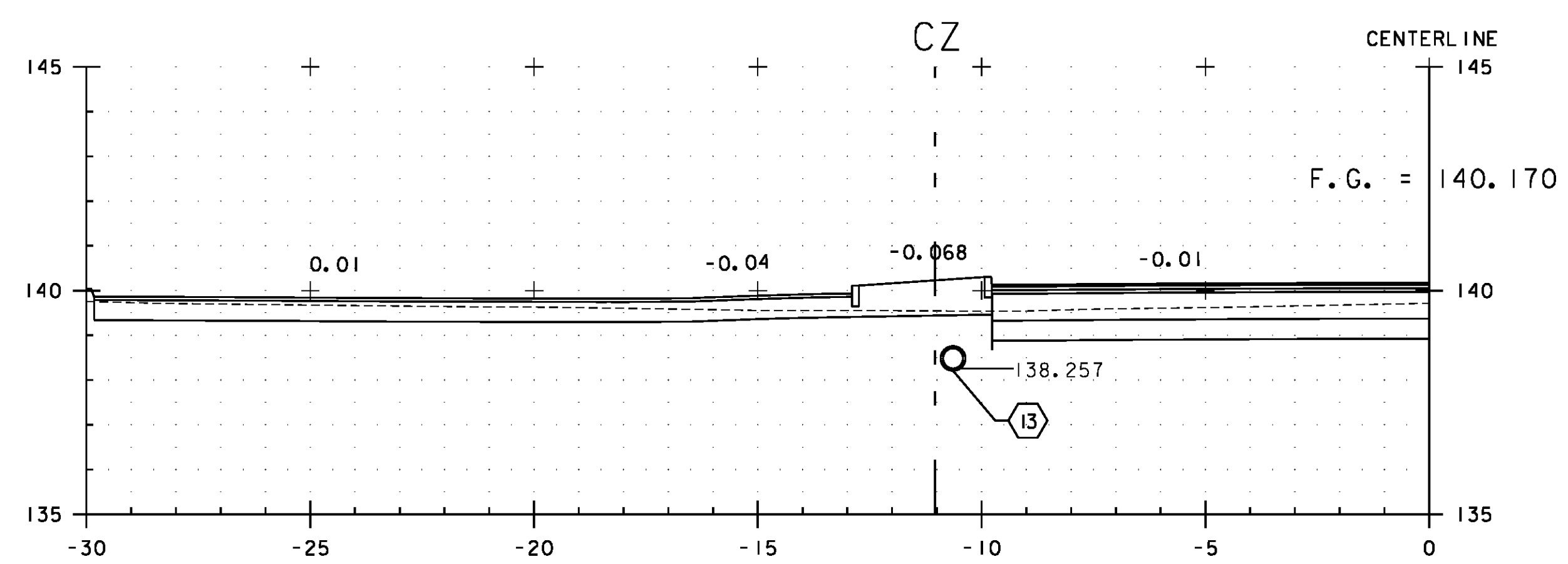
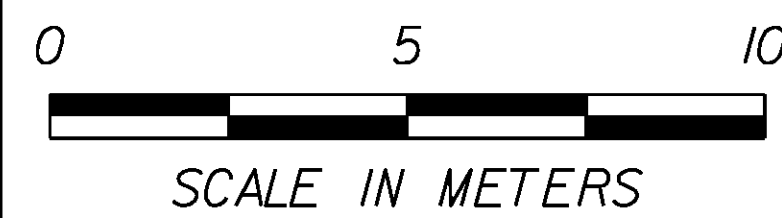


10+030.00



10+020.50



- REVISED FINISH GRADE AND SUBGRADE
- REVISED FINISH GRADE AND SUBGRADE
- REMOVED CB-12 AND PIPE 12

STA. 10+020 TO STA. 10+030

VT ROUTE 108

PROJECT NAME: CAMBRIDGE
PROJECT NUMBER: STP 030-2(27)

FILE NAME: f78f163xsl.dgn
PROJECT LEADER: JLS
DESIGNED BY: MBL
CROSS SECTION SHEET 38 - REVISED

PLOT DATE: 6/24/13
DRAWN BY: MBL
CHECKED BY: JAD
SHEET 119 OF 214