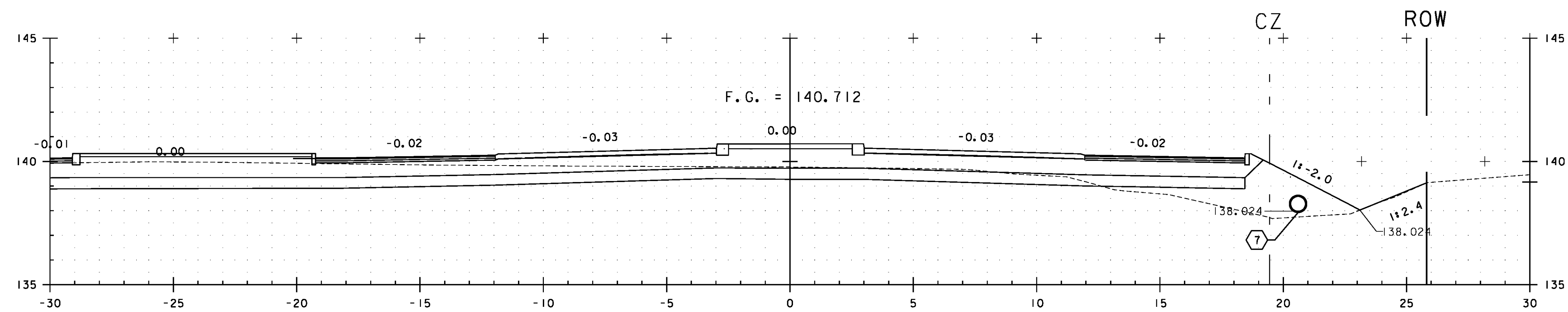
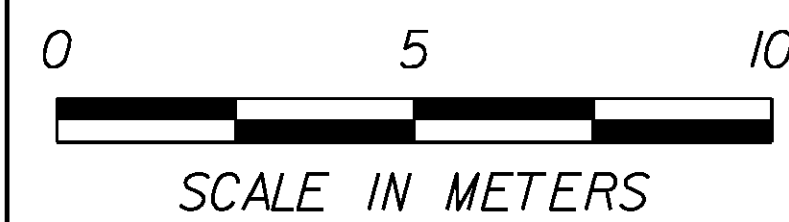


10+018.14



10+010.00

VT ROUTE 108



REVISED 10+018.14 FINISH GRADE, SUBGRADE, AND RIM ELEVATION

REVISED 10+010 FINISH GRADE AND SUBGRADE STA. 10+010 TO STA. 10+018

PROJECT NAME: CAMBRIDGE
PROJECT NUMBER: STP 030-2(27)

FILE NAME: f78f163xsl.dgn	PLOT DATE: 4/22/13
PROJECT LEADER: JLS	DRAWN BY: MBL
DESIGNED BY: MBL	CHECKED BY: JAD
CROSS SECTION SHEET 36 - REVISED	SHEET 117 OF 214