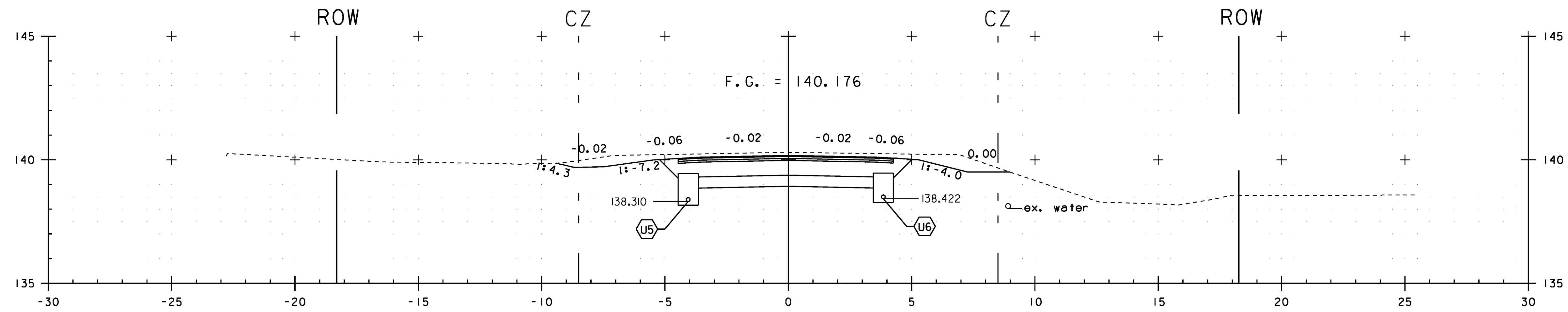


20+220.00



20+210.00

VT ROUTE 15

STA. 20+210 TO STA. 20+220

PROJECT NAME: CAMBRIDGE	PLOT DATE: 05-JUN-2012
PROJECT NUMBER: STP 030-2(27)	DRAWN BY: MBL
FILE NAME: +78f163xsl.dgn	CHECKED BY: JAD
PROJECT LEADER: JLS	SHEET 100 OF 214
DESIGNED BY: MBL	
CROSS SECTION SHEET 19	