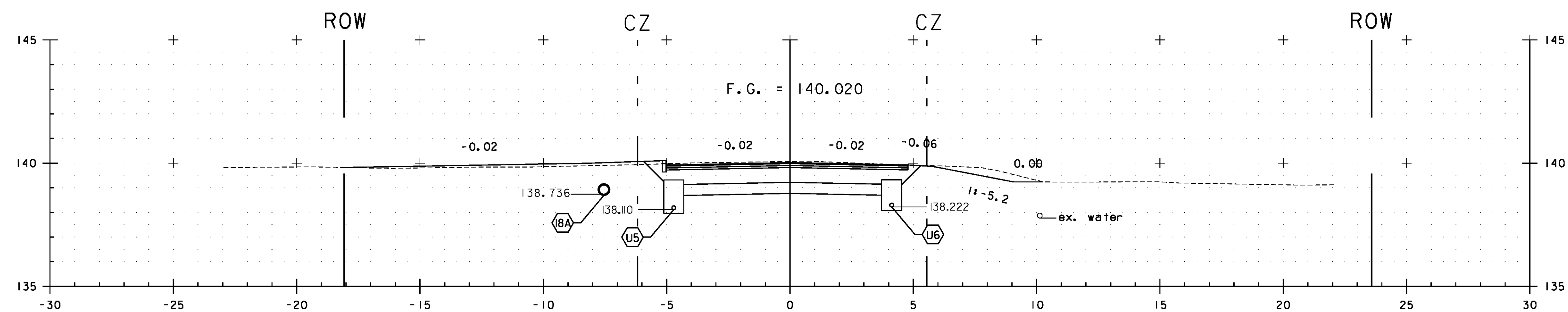


20+180.00

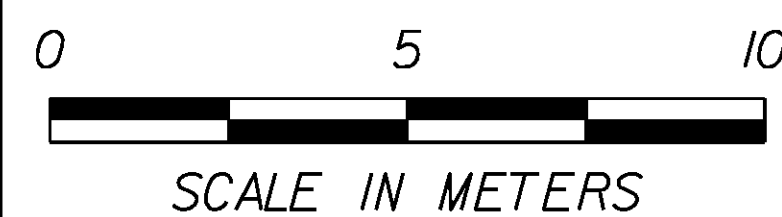


20+170.00

PROJECT NAME: CAMBRIDGE
PROJECT NUMBER: STP 030-2(27)

FILE NAME: f78f163xsl.dgn
PROJECT LEADER: JLS
DESIGNED BY: MBL
CROSS SECTION SHEET 16

PLOT DATE: 5/13/13
DRAWN BY: MBL
CHECKED BY: JAD
SHEET 97 OF 214



- REVISED 20+170.00 FINISH GRADE AND SUBGRADE
- REVISED 20+180.00 FINISH GRADE AND SUBGRADE
- REVISED 20+170.00 PIPE 18A ELEVATION AND OFFSET
- REVISED 20+180.00 REMOVED PIPE 18A

STA. 20+170 TO STA. 20+180

VT ROUTE 15