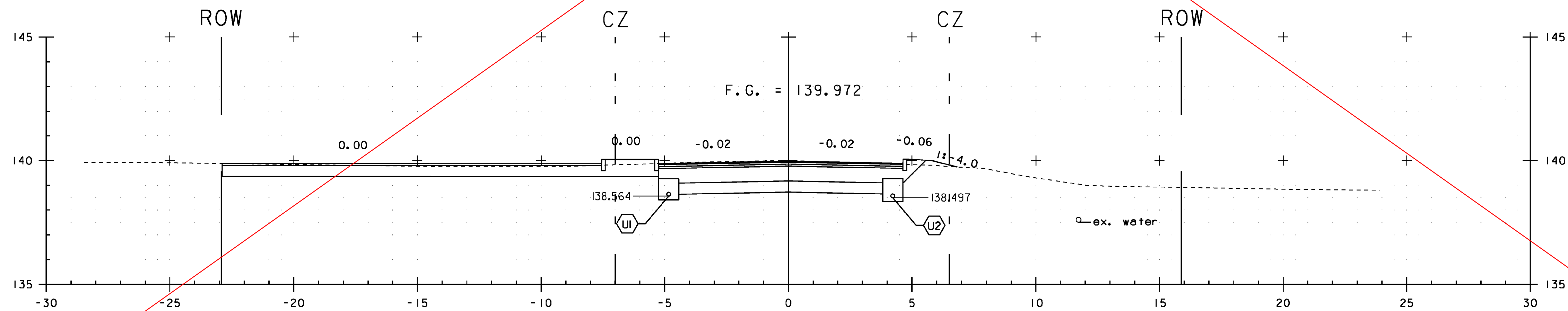


20+091.31



20+090.00

VT ROUTE 15

STA. 20+090 TO STA. 20+091

PROJECT NAME:	CAMBRIDGE	PLOT DATE:	05 JUN-2012
PROJECT NUMBER:	STP 030-2(27)	DRAWN BY:	MBL
FILE NAME:	+78f163xsl.dgn	CHECKED BY:	JAD
PROJECT LEADER:	JLS	SHEET	90 OF 214
DESIGNED BY:	MBL		
CROSS SECTION SHEET	9		

SEE REVISION SHEET