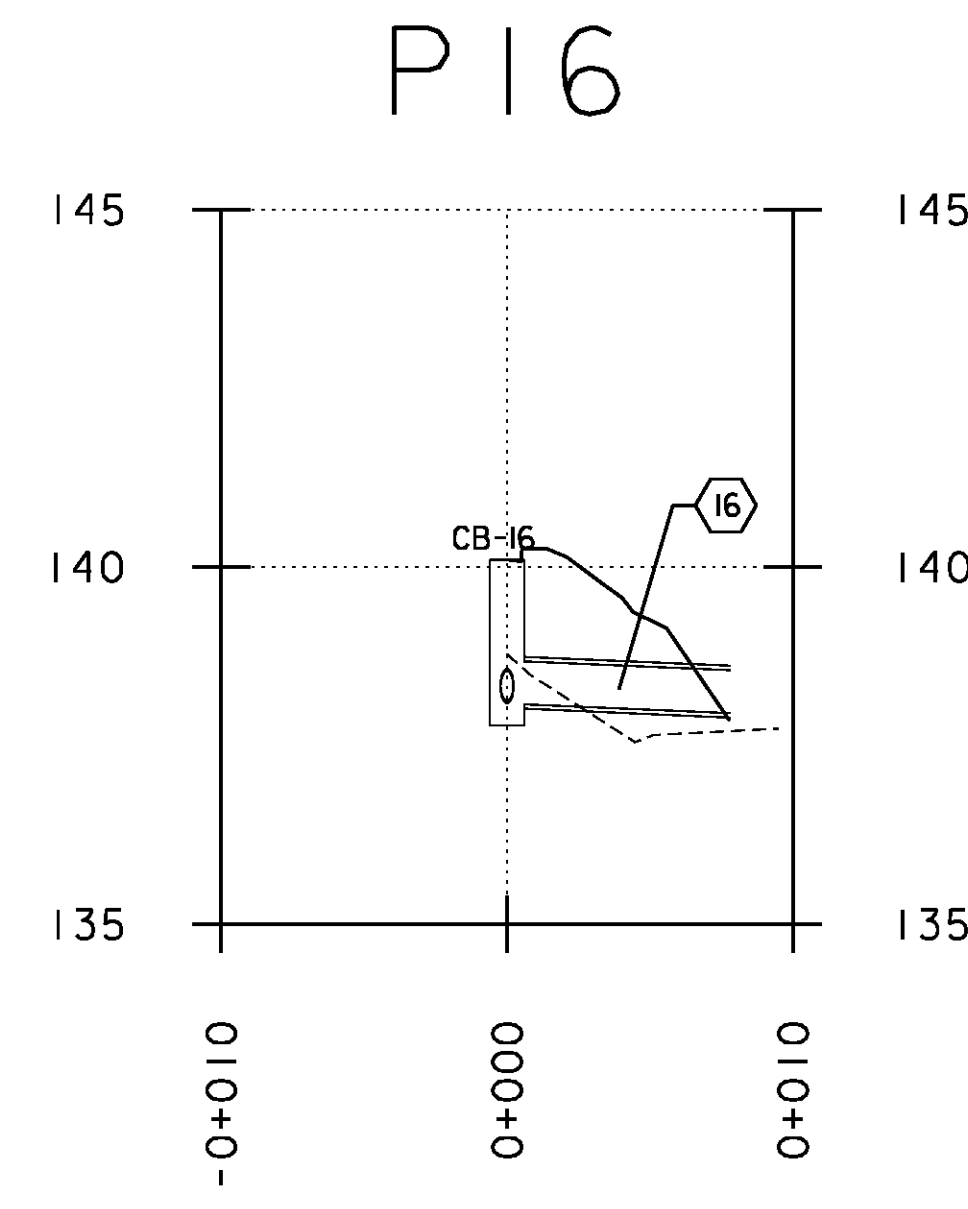


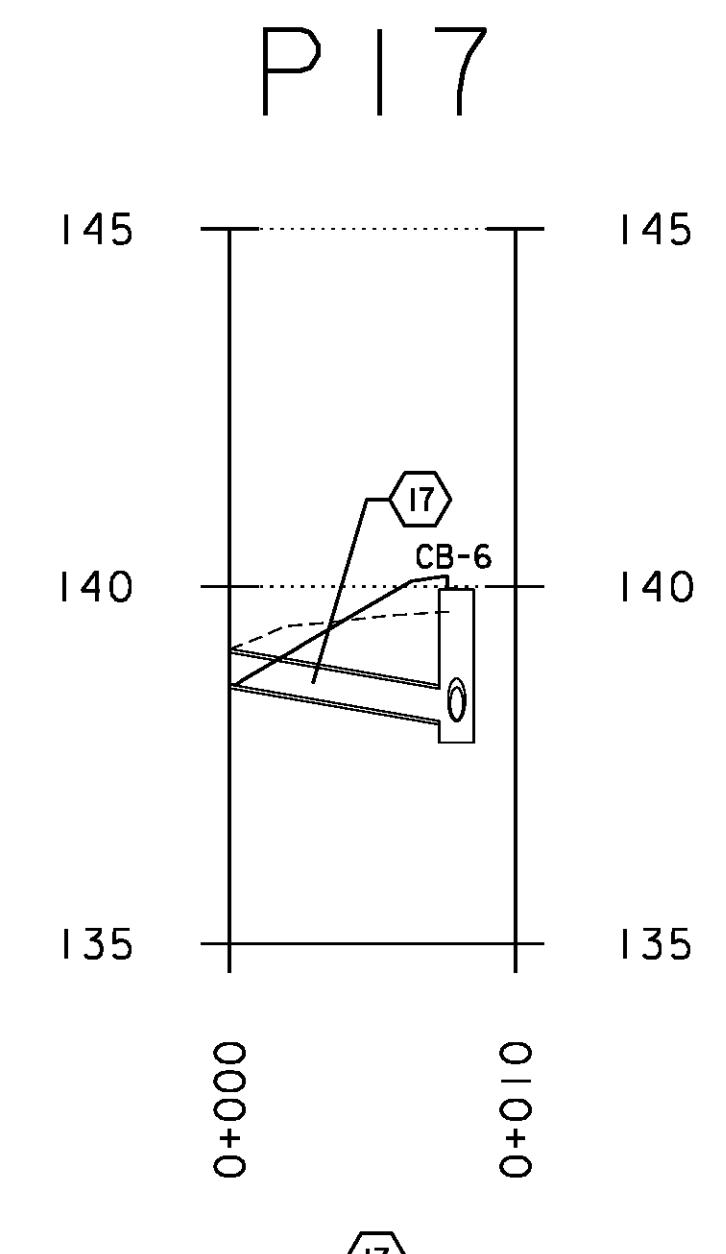
15
 SLOPE = 0.50%
 NEW PIPE
 TYPE: CPEP(SL)
 LENGTH = 14.1m
 DIAMETER = 450mm
 INV. IN = 138.166
 INV. OUT = 138.099

CB-15
 GRATE: TYPE D
 RIM. EL. = 139.624
 DEPTH = 1.76m **1**

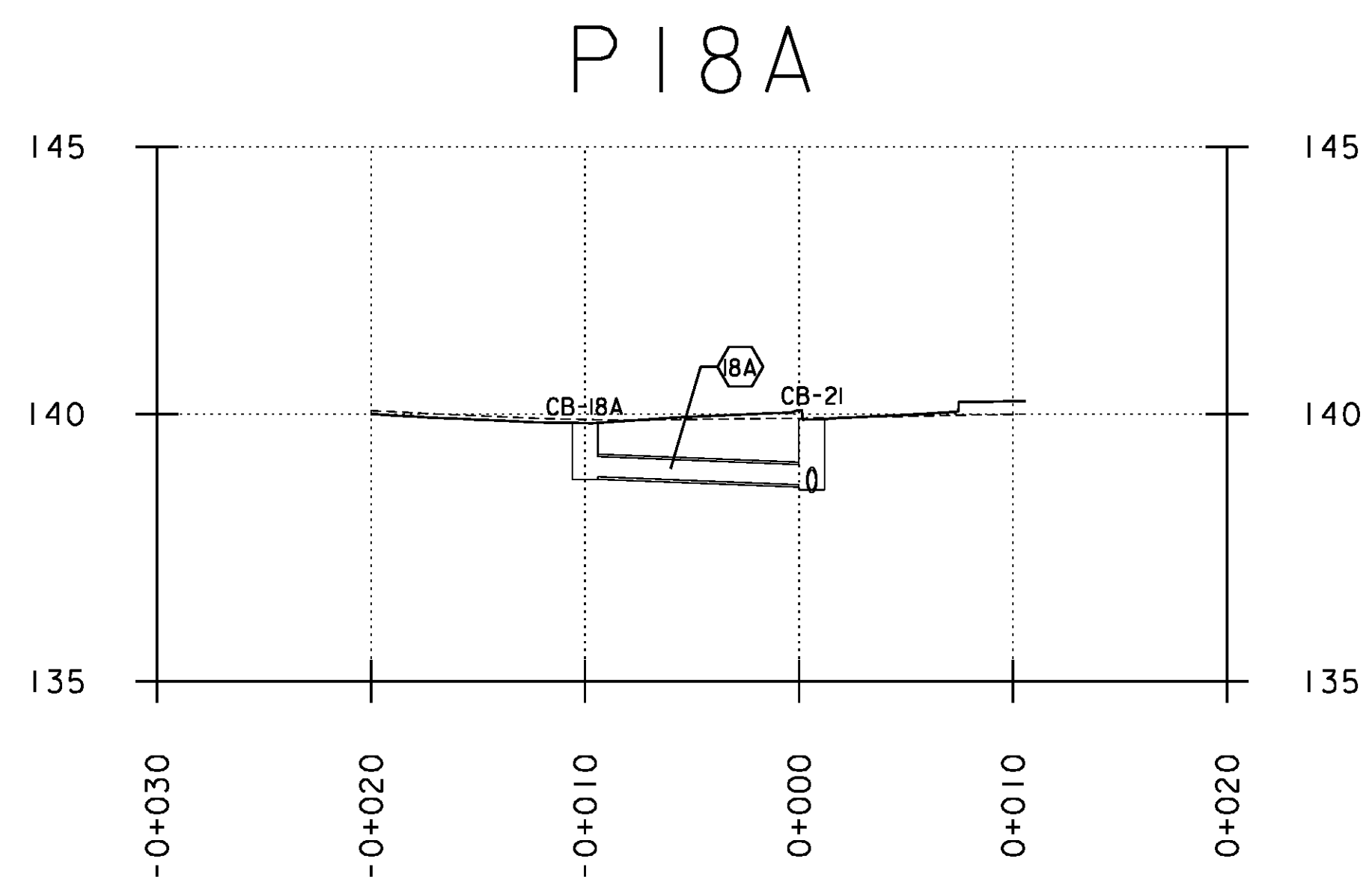


16
 SLOPE = 1.54%
 NEW PIPE
 TYPE: CPEP(SL)
 LENGTH = 7.8m
 DIAMETER = 600mm
 INV. IN = 138.08
 INV. OUT = 137.96
 NEW E.S. AT OUTLET

CB-16
 GRATE: TYPE D
 RIM. EL. = 140.102
 DEPTH = 2.32m **2**

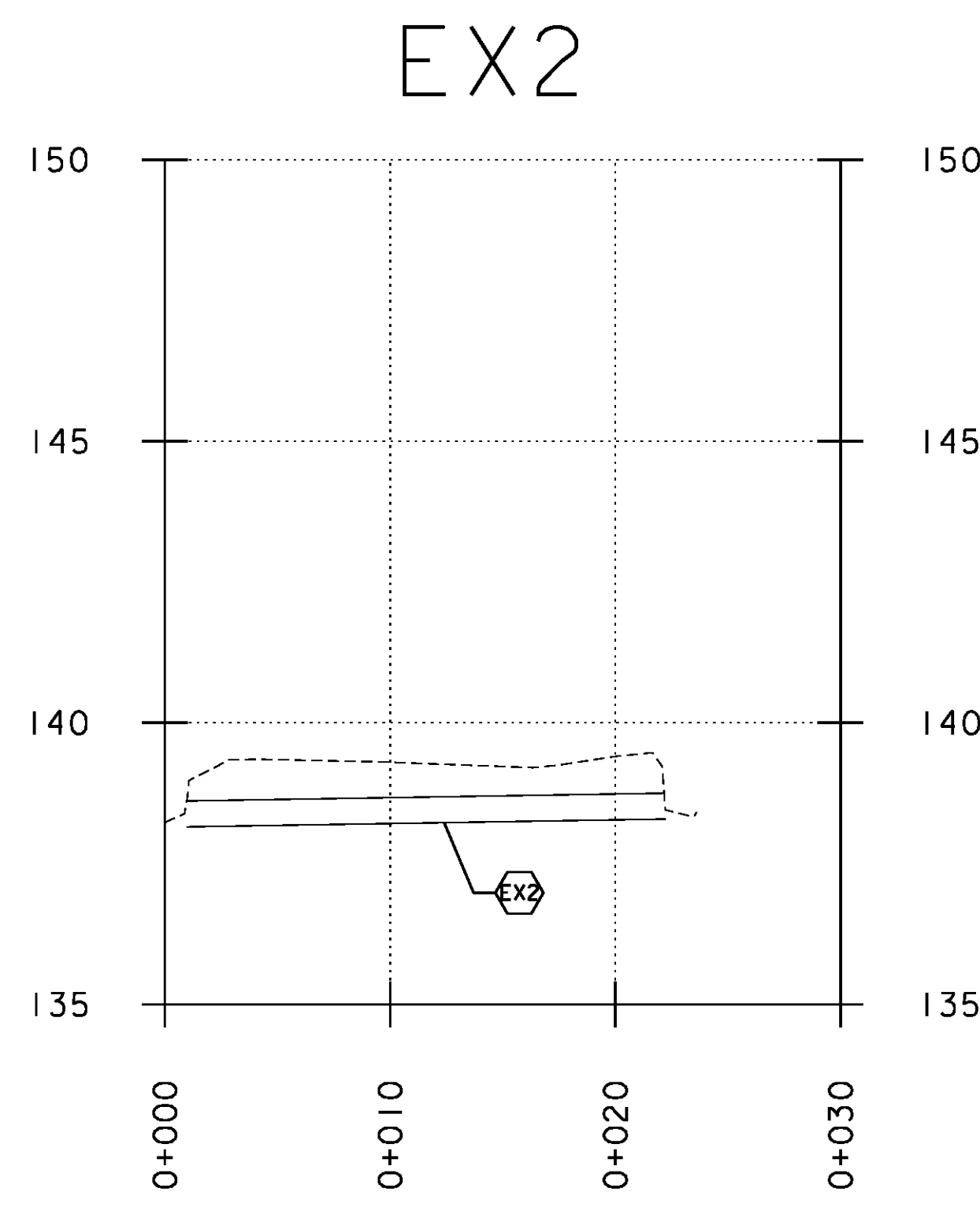


17
 SLOPE = 6.95%
 NEW PIPE
 TYPE: CPEP(SL)
 LENGTH = 7.3m
 DIAMETER = 450mm
 INV. IN = 138.625
 INV. OUT = 138.115
 NEW E.S. AT INLET



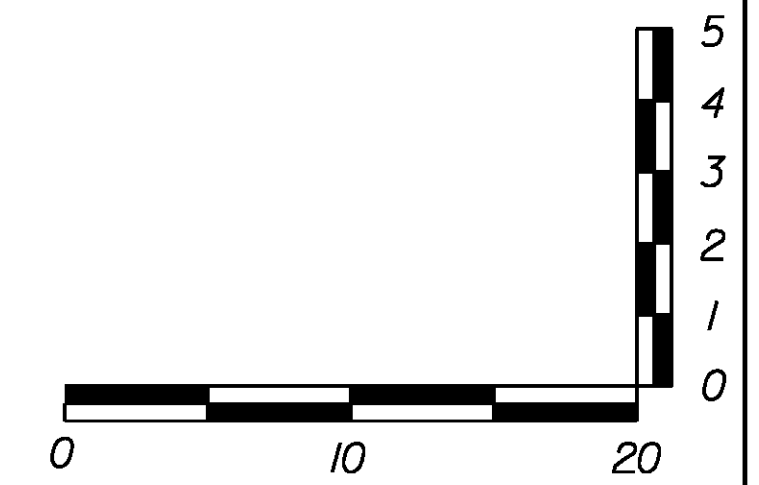
18A
 SLOPE = 1.58%
 NEW PIPE
 TYPE: CPEP(SL)
 LENGTH = 9.4m
 DIAMETER = 375mm
 INV. IN = 138.828
 INV. OUT = 138.680

CB-18A
 GRATE: TYPE A
 RIM. EL. = 139.828
 DEPTH = 1.00m **3** **4**



EX2
 SLOPE = 0.65%
 EXISTING PIPE
 TYPE: RCP CULVERT
 LENGTH = 21.02m
 DIAMETER = 460mm
 INV. IN = 138.29
 INV. OUT = 138.15

- 1** REVISED CB-15 RIM ELEVATION
- 2** REVISED CB-16 RIM ELEVATION
- 3** REMOVED PIPE PROFILE 18
REPLACED WITH PIPE PROFILE 18A
- 4** REVISED PIPE PROFILE 18A



PROJECT NAME:	CAMBRIDGE
PROJECT NUMBER:	STP 030-2(27)
FILE NAME:	f78f163pro-drn.dgn
PROJECT LEADER:	JLS
DESIGNED BY:	MBL
DRAINAGE PROFILE SHEET 3	
PLOT DATE:	5/13/13
DRAWN BY:	MBL
CHECKED BY:	JAD
SHEET	57 OF 214