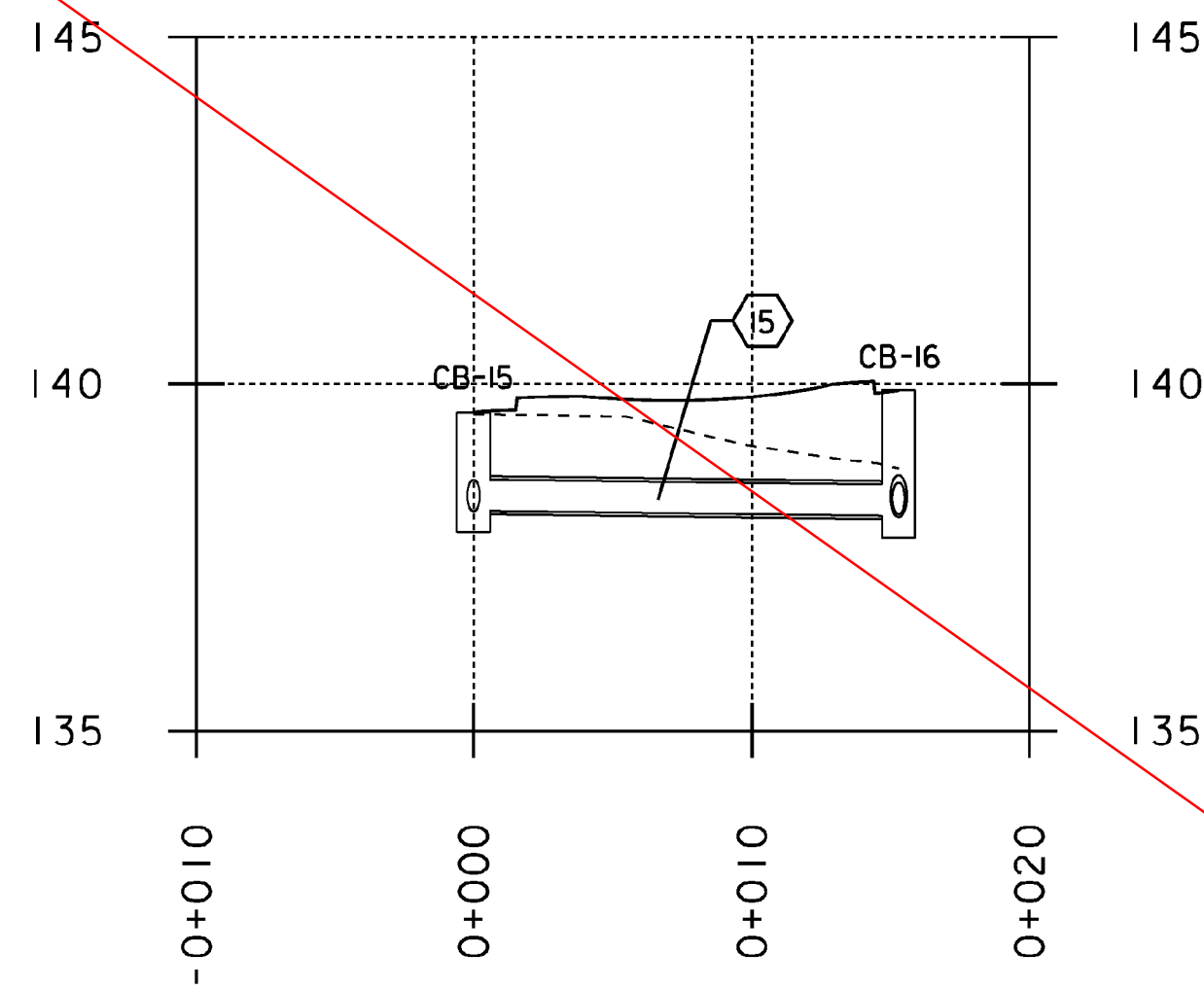


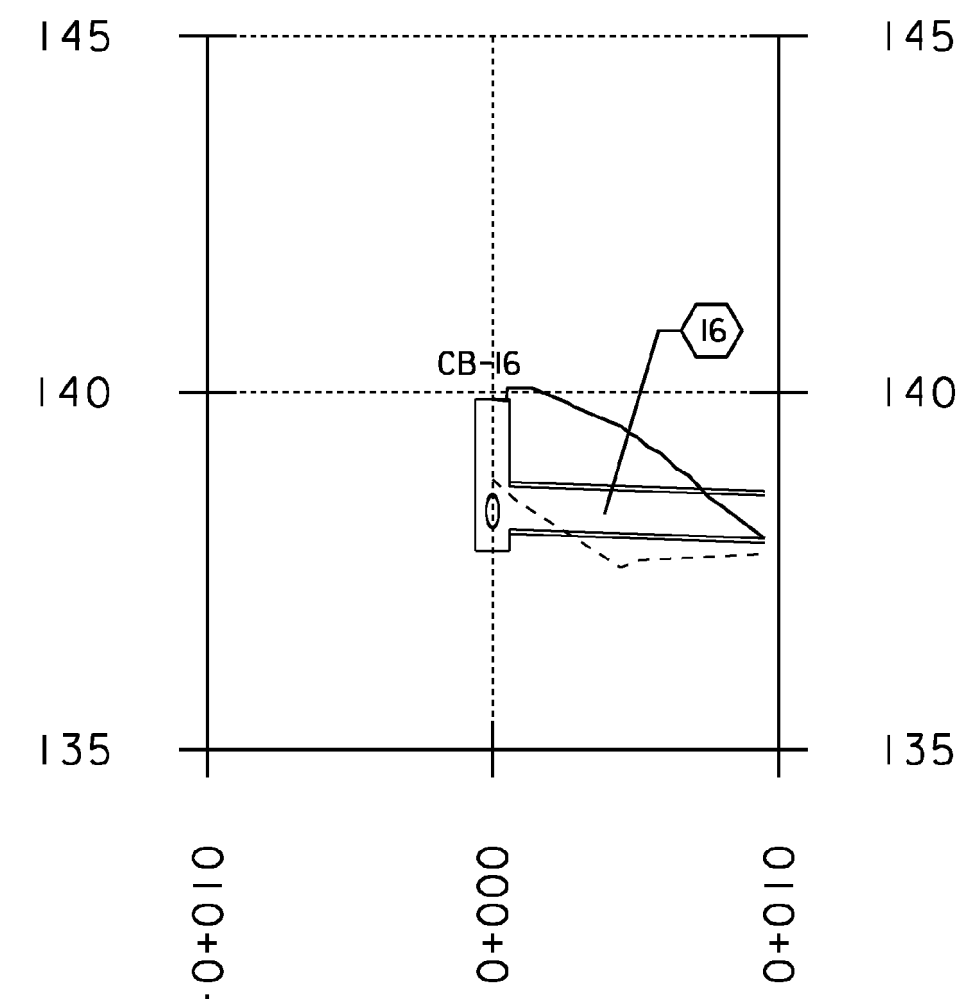
### P15



**15**  
 SLOPE = 0.50%  
 NEW PIPE  
 TYPE: CPEP(SL)  
 LENGTH = 14.2m  
 DIAMETER = 450mm  
 INV. IN = 138.17  
 INV. OUT = 138.10

**CB-15**  
 GRATE: TYPE D  
 RIM. EL. = 139.588  
 DEPTH = 1.72m

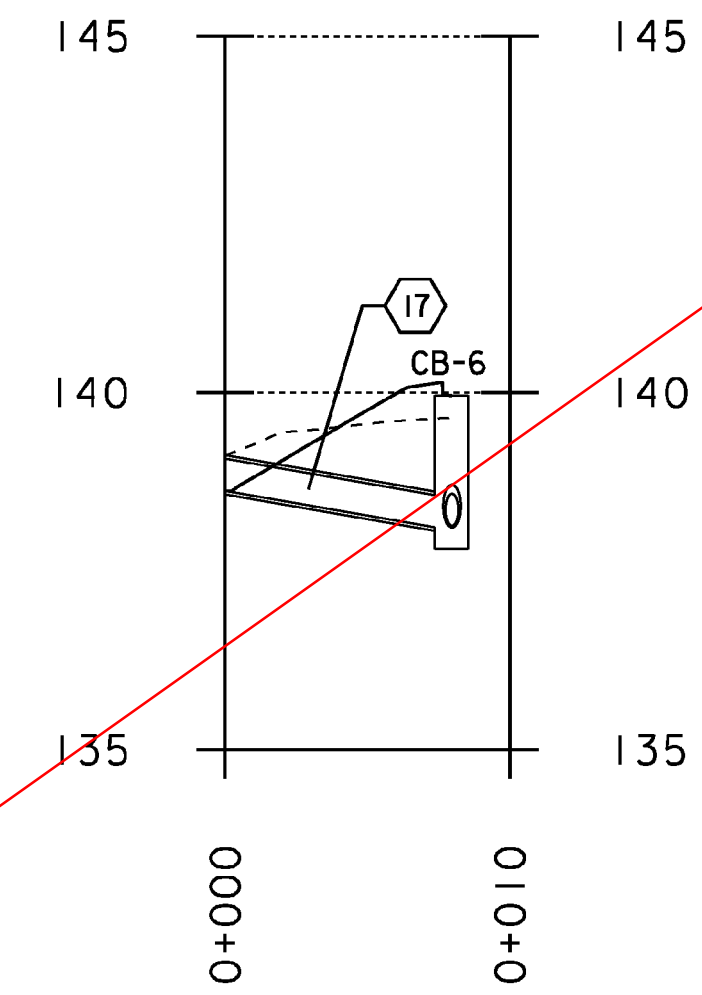
### P16



**16**  
 SLOPE = 1.40%  
 NEW PIPE  
 TYPE: CPEP(SL)  
 LENGTH = 9.1m  
 DIAMETER = 600mm  
 INV. IN = 138.08  
 INV. OUT = 137.96  
 NEW E.S. AT OUTLET

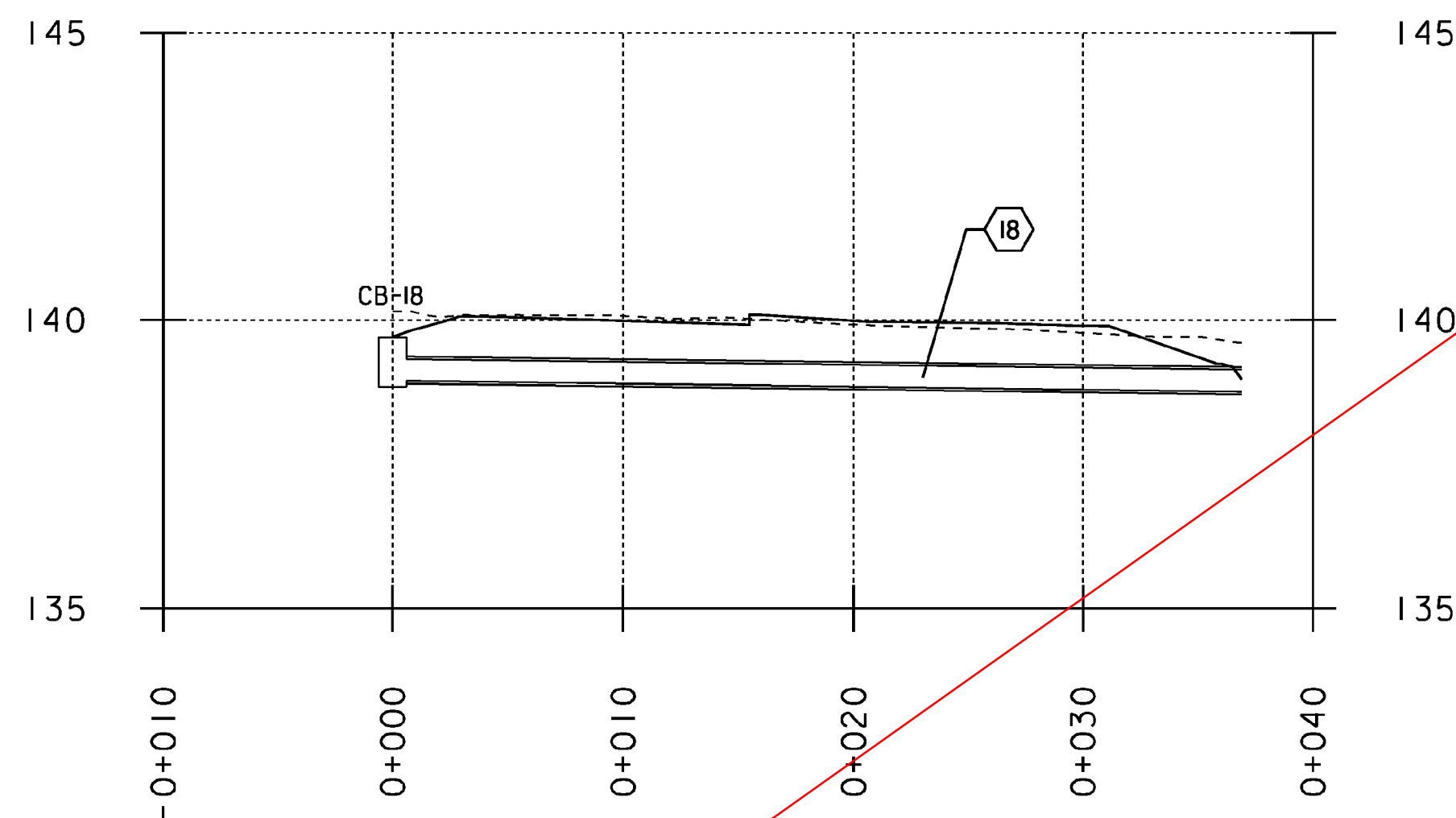
**CB-16**  
 GRATE: TYPE D  
 RIM. EL. = 139.902  
 DEPTH = 2.12m

### P17



**17**  
 SLOPE = 6.95%  
 NEW PIPE  
 TYPE: CPEP(SL)  
 LENGTH = 7.3m  
 DIAMETER = 450mm  
 INV. IN = 138.63  
 INV. OUT = 138.12  
 NEW E.S. AT INLET

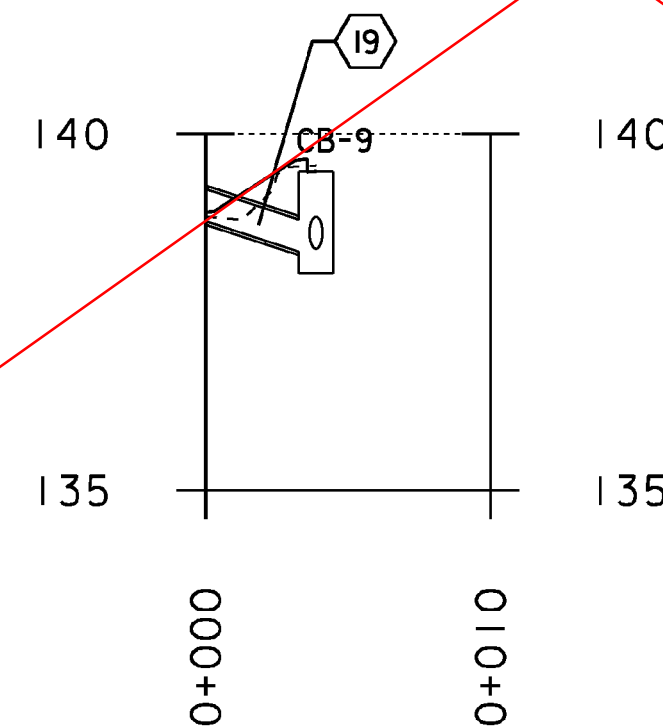
### P18



**18**  
 SLOPE = 0.50%  
 NEW PIPE  
 TYPE: CPEP(SL)  
 LENGTH = 36.3m  
 DIAMETER = 375mm  
 INV. IN = 138.95  
 INV. OUT = 138.76  
 NEW E.S. AT OUTLET

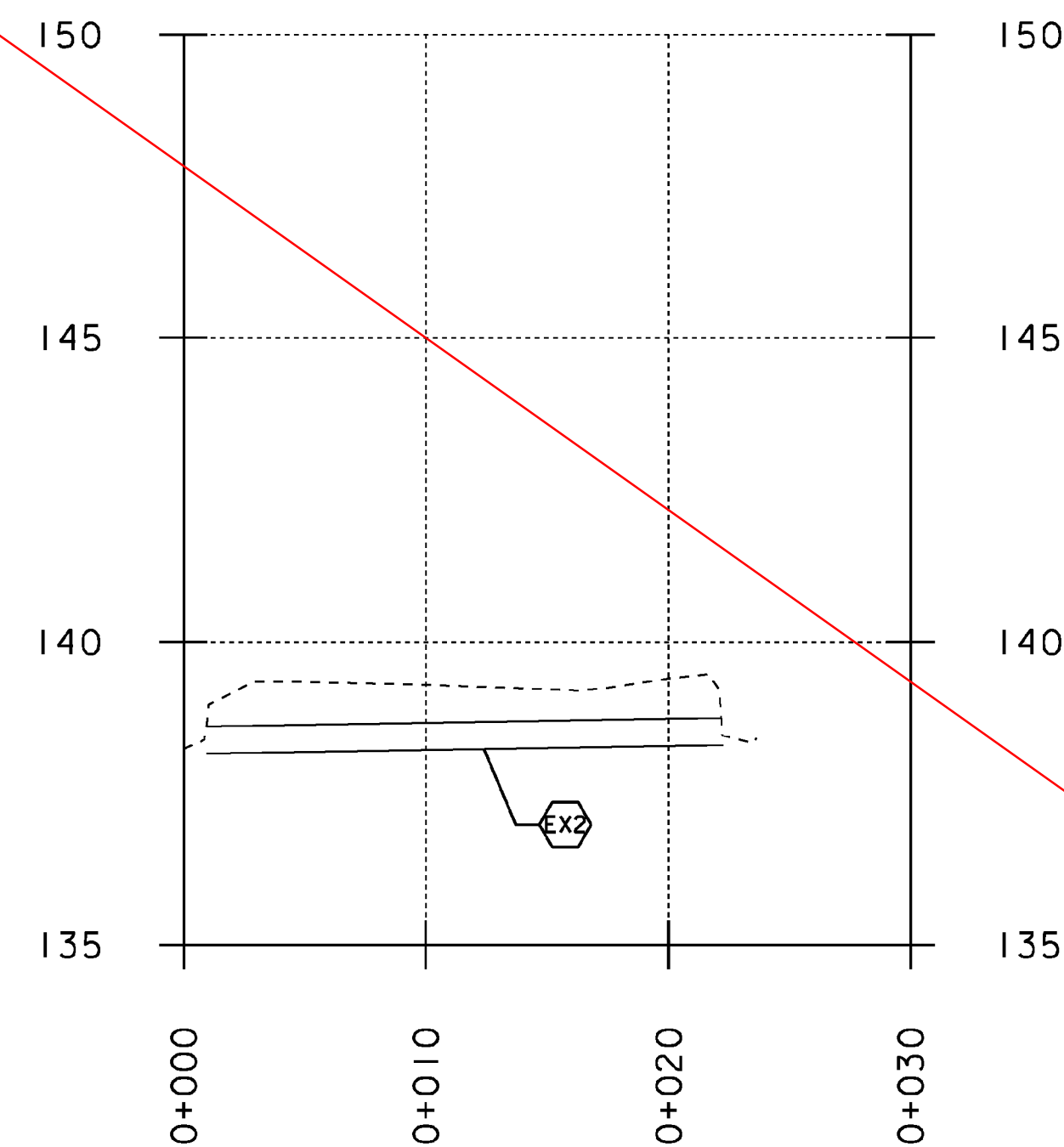
**CB-18**  
 GRATE: TYPE A  
 RIM. EL. = 139.704  
 DEPTH = 0.86m

### P19

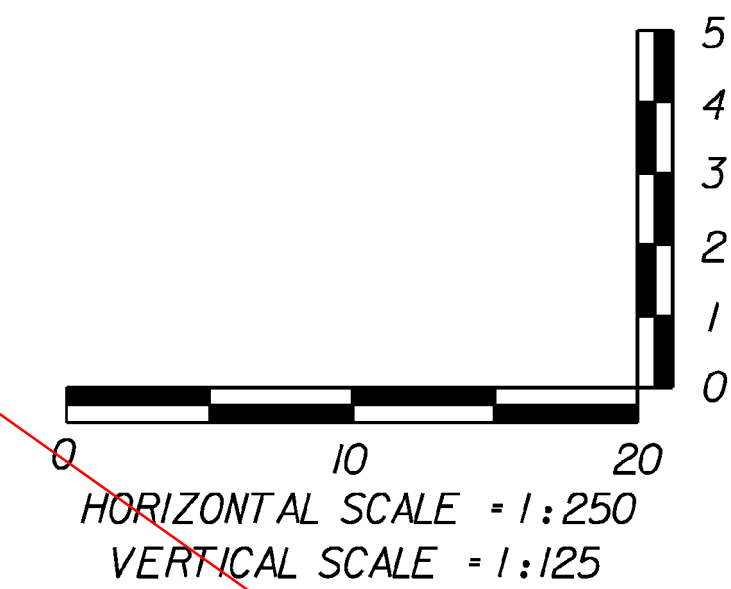


**19**  
 SLOPE = 13.05%  
 NEW PIPE  
 TYPE: CPEP(SL)  
 LENGTH = 3.3m  
 DIAMETER = 450mm  
 INV. IN = 138.78  
 INV. OUT = 138.393  
 NEW E.S. AT INLET

### EX2



**EX2**  
 SLOPE = 0.65%  
 EXISTING PIPE  
 TYPE: RCP CULVERT  
 LENGTH = 21.02m  
 DIAMETER = 460mm  
 INV. IN = 138.29  
 INV. OUT = 138.15



PROJECT NAME: CAMBRIDGE	PLOT DATE: 05-JUN-2012
PROJECT NUMBER: STP 030-2(27)	DRAWN BY: MBL
FILE NAME: t78f163pro-drn.dgn	CHECKED BY: JAD
DESIGNED BY: MBL	SHEET 57 OF 214
<b>DRAINAGE PROFILE SHEET 3</b>	