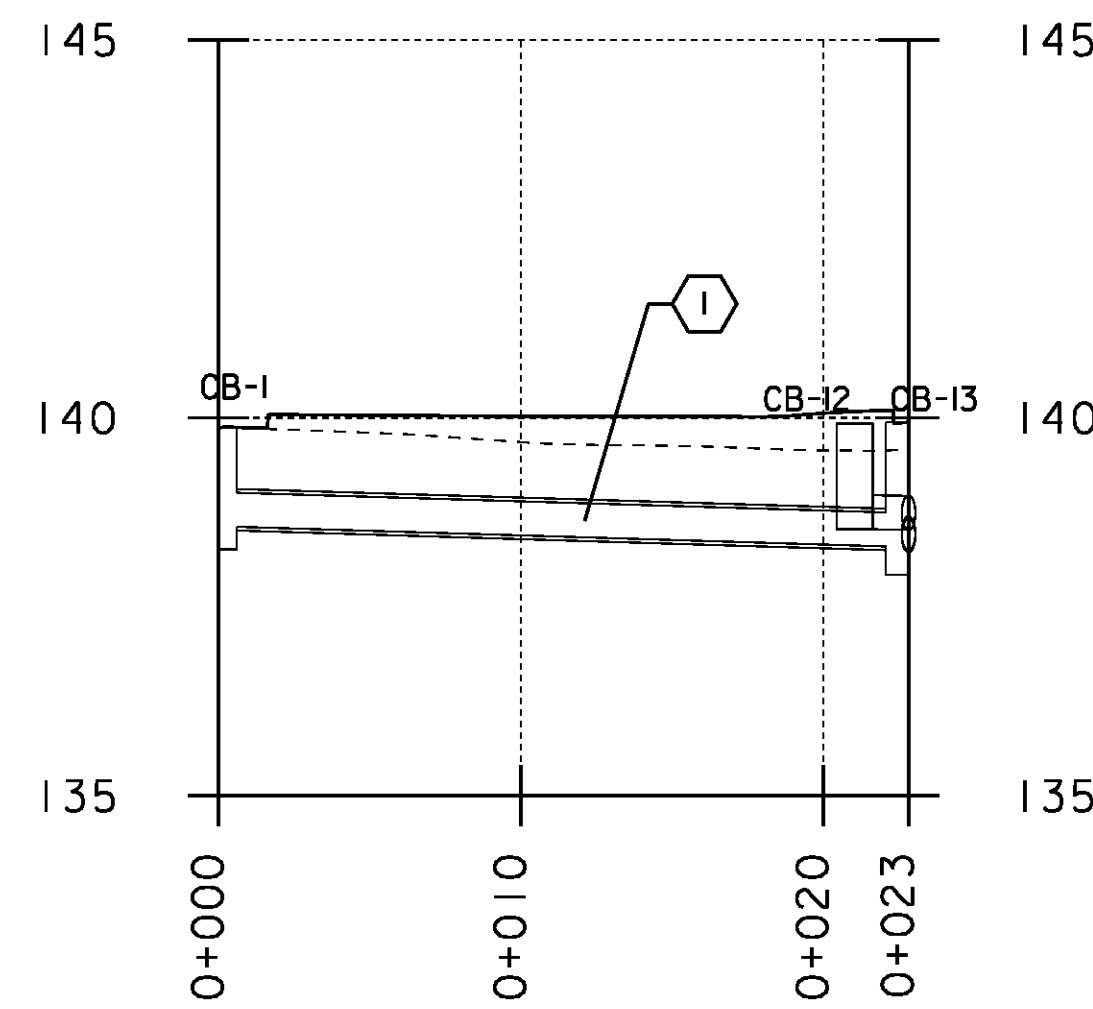


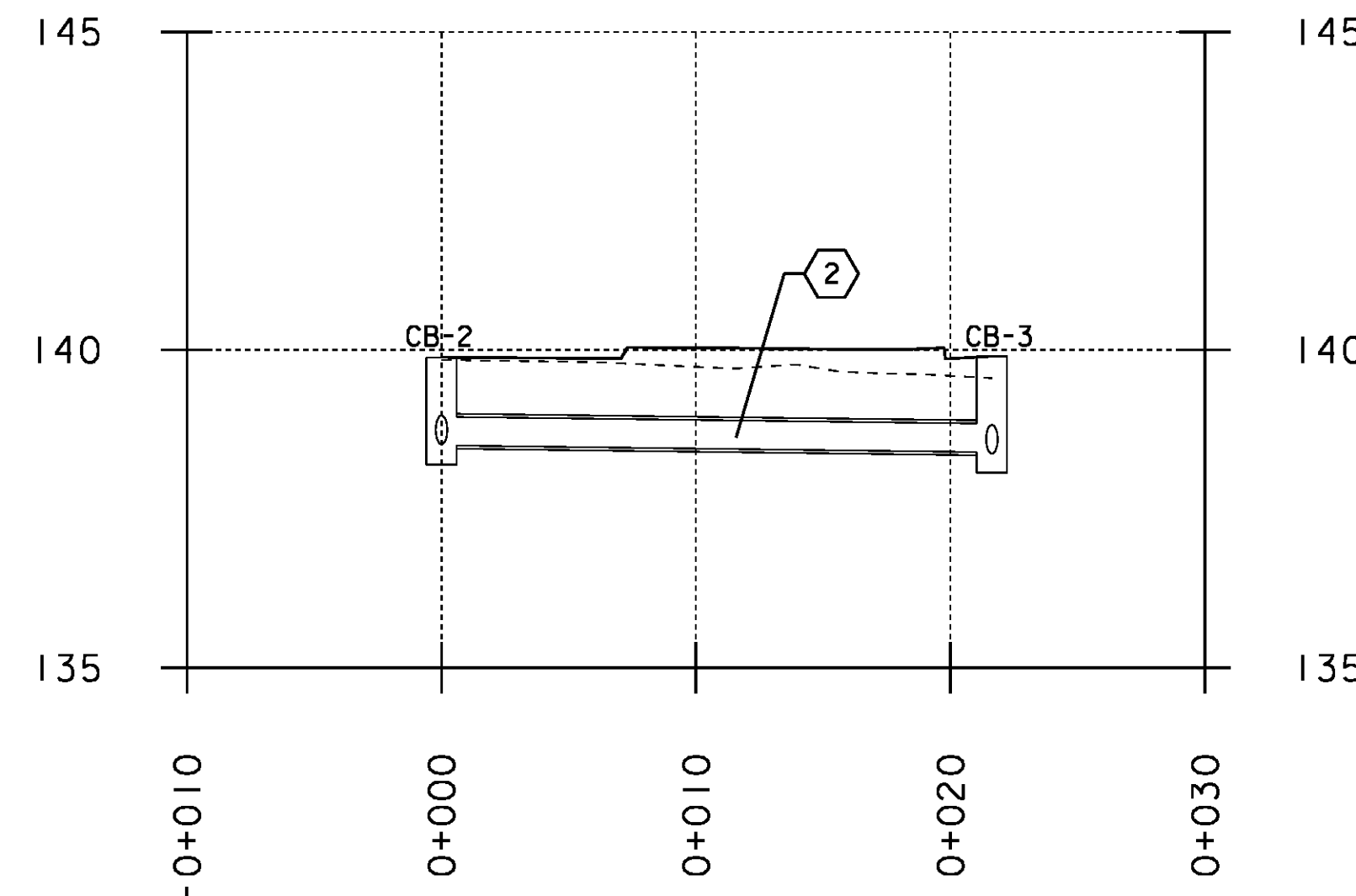
P1



①
SLOPE = 1.21%
NEW PIPE
TYPE: CPEP(SL)
LENGTH = 21.5m
DIAMETER = 450mm
INV. IN = 138.560
INV. OUT = 138.300

CB-1
GRATE: TYPE D
RIM. EL. = 139.874
DEPTH = 1.61m

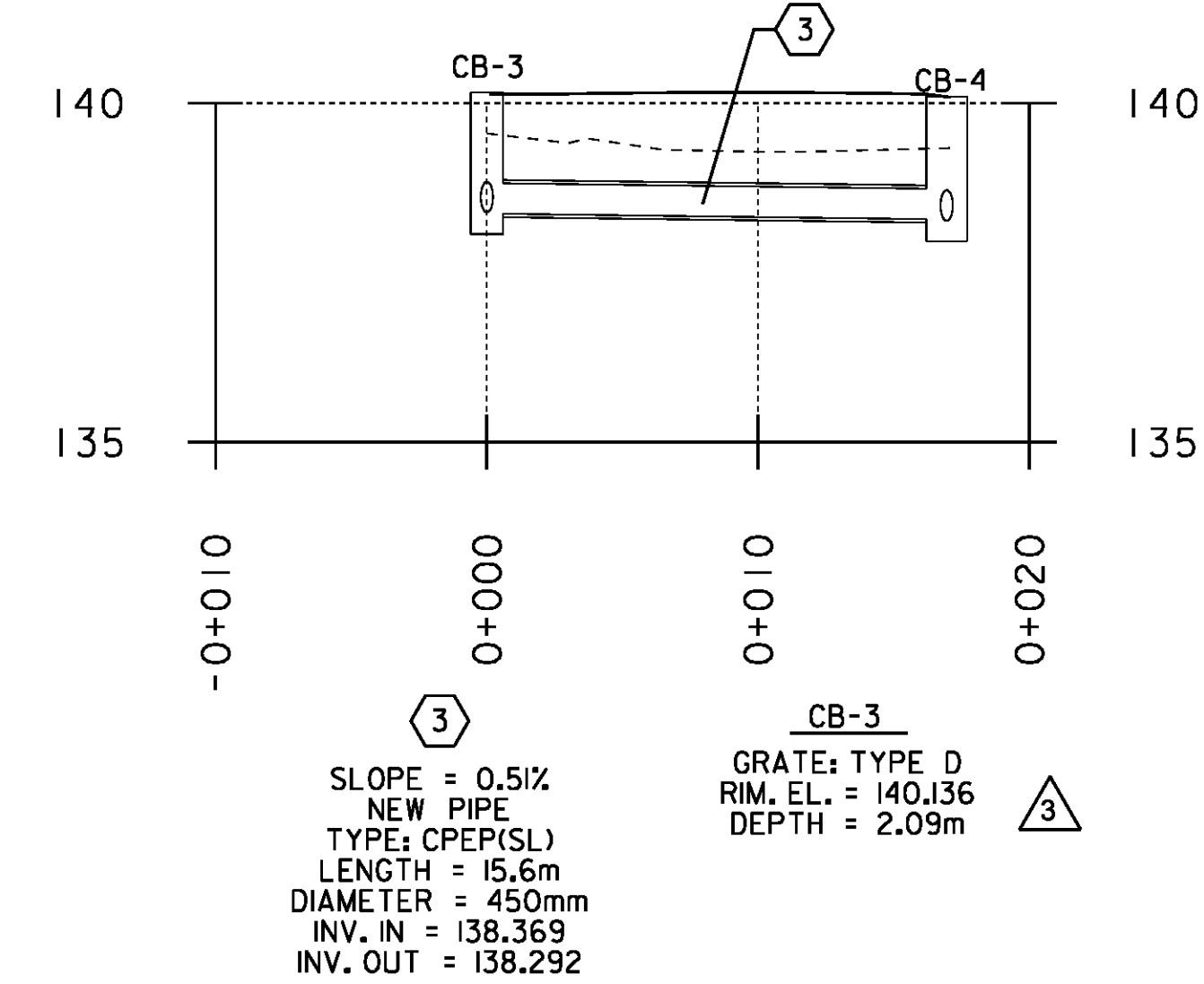
P2



②
SLOPE = 0.50%
NEW PIPE
TYPE: CPEP(SL)
LENGTH = 20.2m
DIAMETER = 450mm
INV. IN = 138.493
INV. OUT = 138.394

CB-2
GRATE: TYPE D
RIM. EL. = 139.876
DEPTH = 1.68m

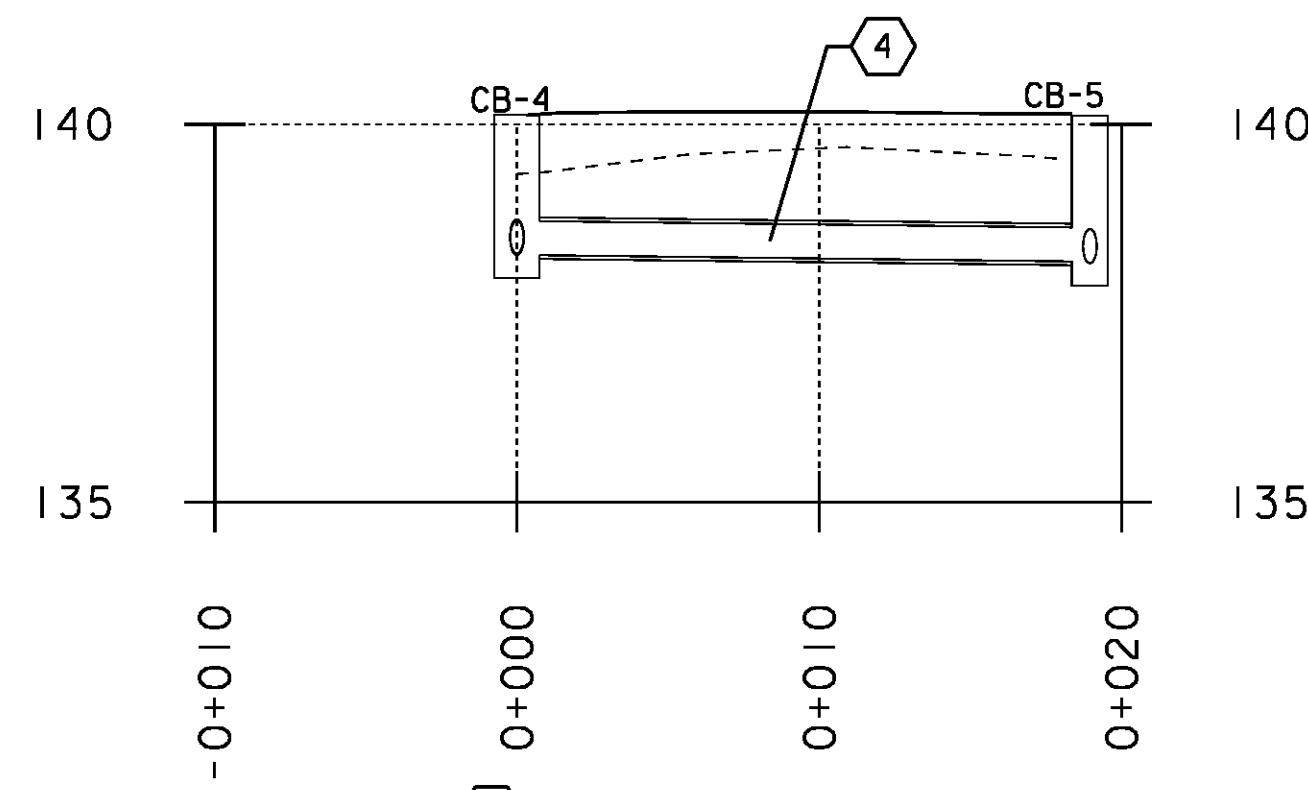
P3



③
SLOPE = 0.51%
NEW PIPE
TYPE: CPEP(SL)
LENGTH = 15.6m
DIAMETER = 450mm
INV. IN = 138.369
INV. OUT = 138.292

CB-3
GRATE: TYPE D
RIM. EL. = 140.136
DEPTH = 2.09m

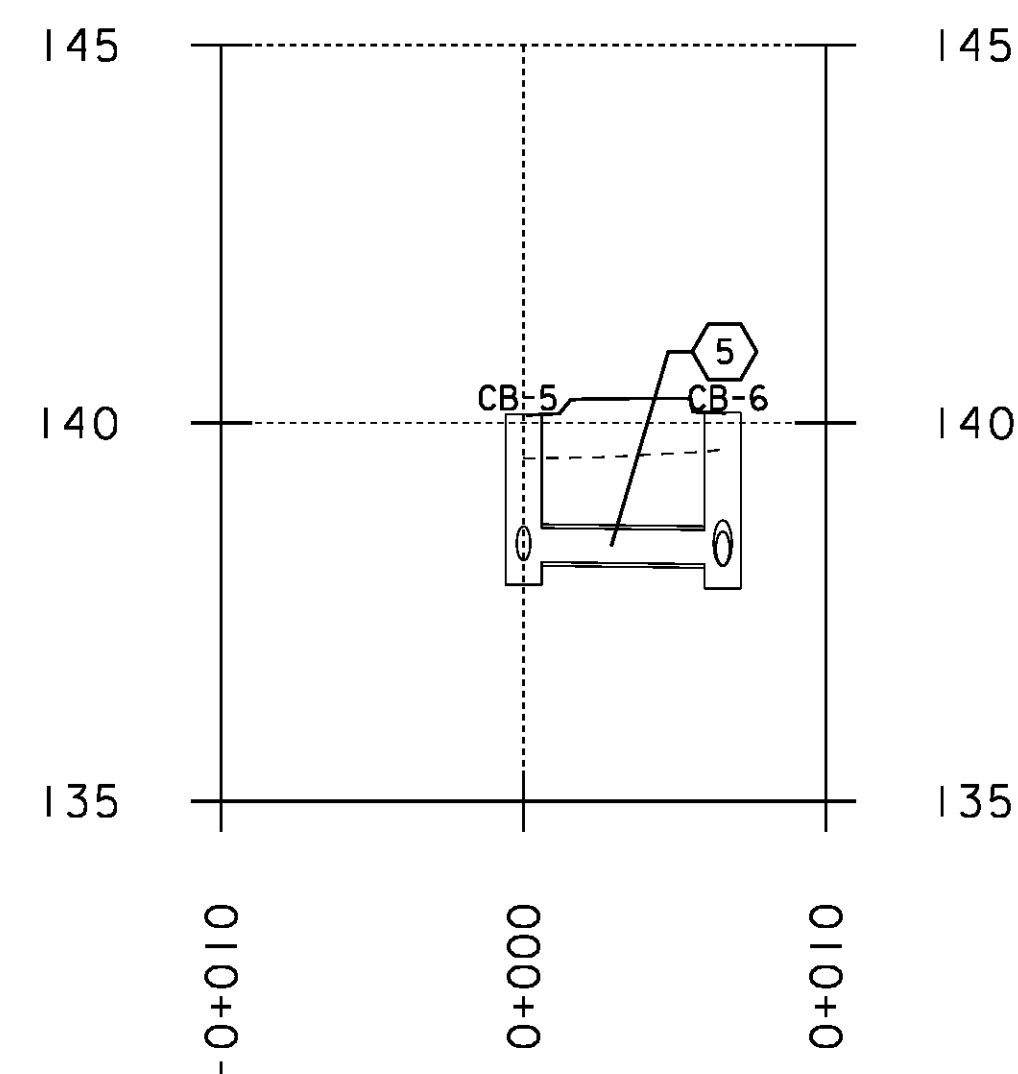
P4



④
SLOPE = 0.50%
NEW PIPE
TYPE: CPEP(SL)
LENGTH = 17.6m
DIAMETER = 450mm
INV. IN = 138.266
INV. OUT = 138.185

CB-4
GRATE: TYPE D
RIM. EL. = 140.101
DEPTH = 2.16m

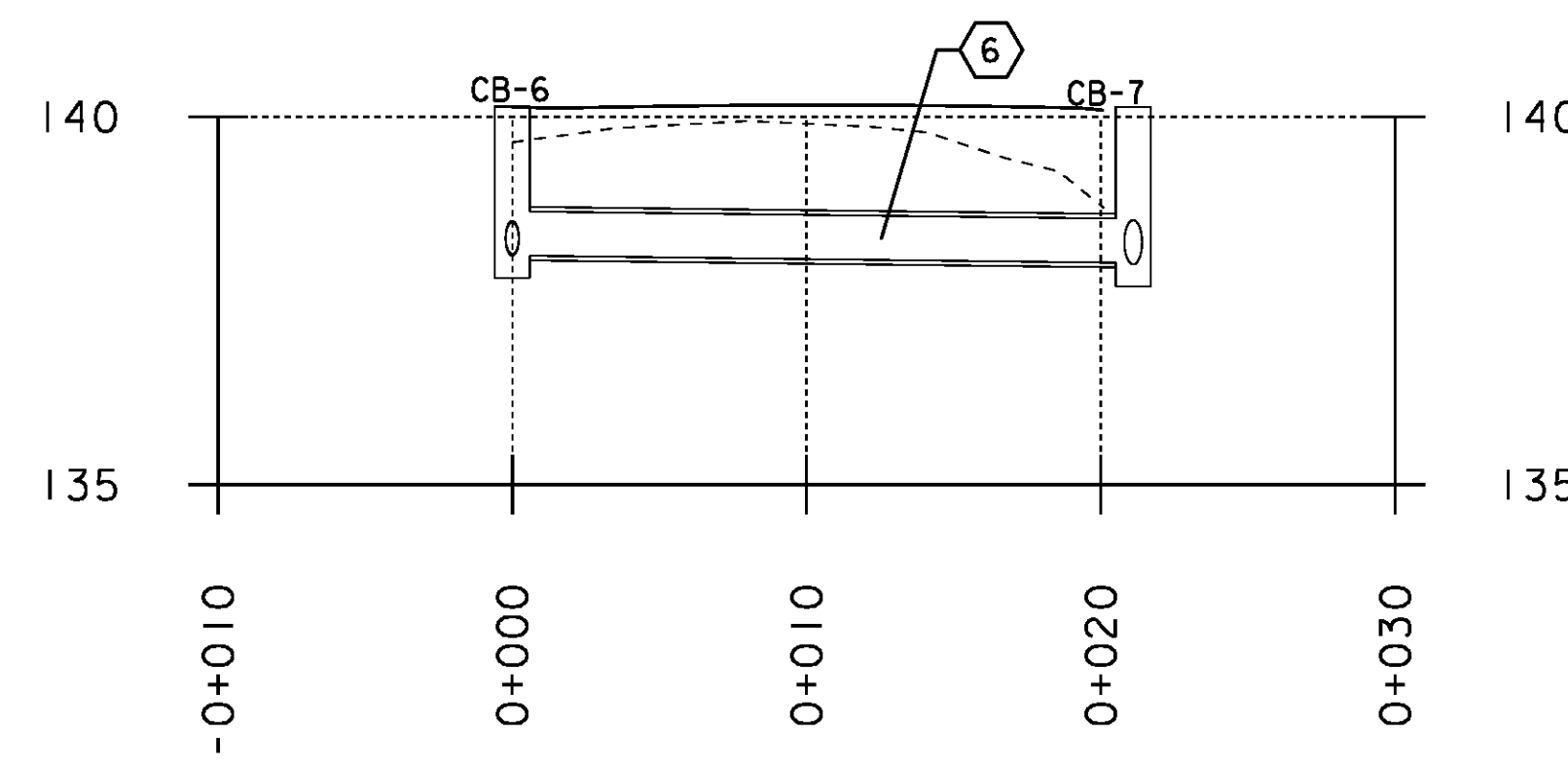
P5



⑤
SLOPE = 0.50%
NEW PIPE
TYPE: CPEP(SL)
LENGTH = 5.4m
DIAMETER = 450mm
INV. IN = 138.160
INV. OUT = 138.136

CB-5
GRATE: TYPE D
RIM. EL. = 140.115
DEPTH = 2.25m

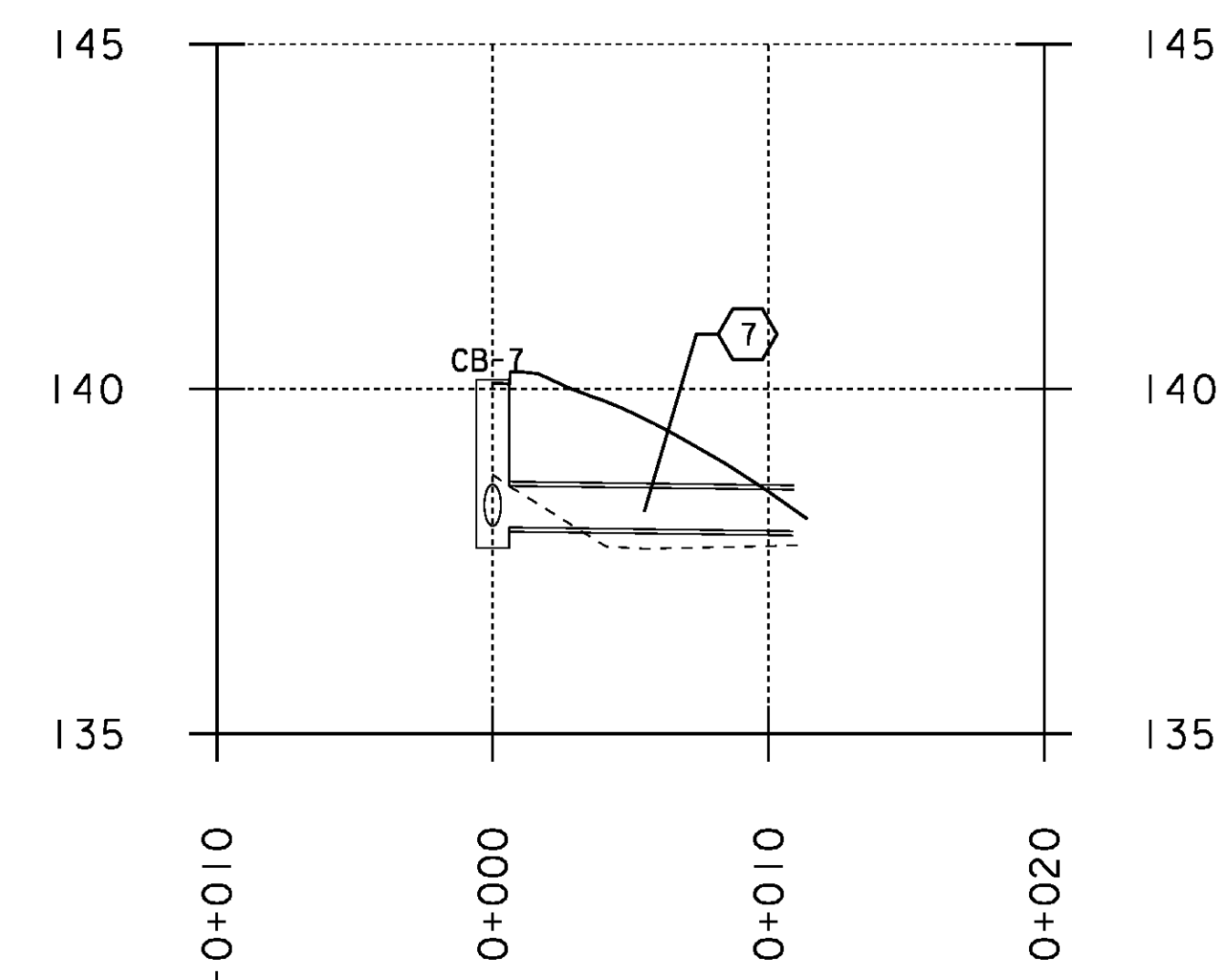
P6



⑥
SLOPE = 0.45%
NEW PIPE
TYPE: CPEP(SL)
LENGTH = 19.9m
DIAMETER = 600mm
INV. IN = 138.111
INV. OUT = 138.019

CB-6
GRATE: TYPE D
RIM. EL. = 140.138
DEPTH = 2.33m

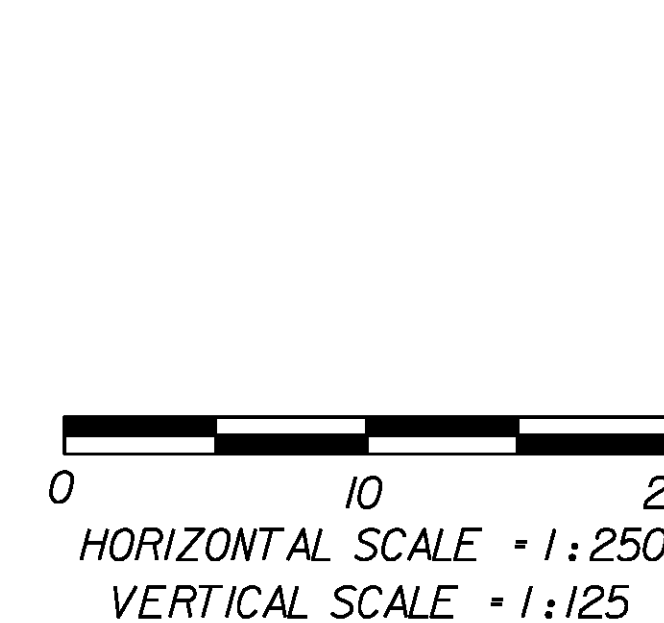
P7



⑦
SLOPE = 0.58%
NEW PIPE
TYPE: CPEP(SL)
LENGTH = 10.3m
DIAMETER = 600mm
INV. IN = 137.994
INV. OUT = 137.941

CB-7
GRATE: TYPE D
RIM. EL. = 140.135
DEPTH = 2.44m

- ① REVISED CB-1 RIM ELEVATION AND DEPTH
- ② REVISED CB-2 RIM ELEVATION AND DEPTH
- ③ REVISED CB-3 RIM ELEVATION AND DEPTH
- ④ REVISED CB-4 RIM ELEVATION AND DEPTH
- ⑤ REVISED CB-5 RIM ELEVATION AND DEPTH
- ⑥ REVISED CB-6 RIM ELEVATION AND DEPTH
- ⑦ REVISED CB-7 RIM ELEVATION AND DEPTH



PROJECT NAME: CAMBRIDGE
PROJECT NUMBER: STP 030-2(27)

FILE NAME: +78+163pro-drn.dgn
PROJECT LEADER: JLS
DESIGNED BY: MBL
DRAINAGE PROFILE SHEET 1

PLOT DATE: 4/23/13
DRAWN BY: MBL
CHECKED BY: JAD
SHEET 55 OF 214