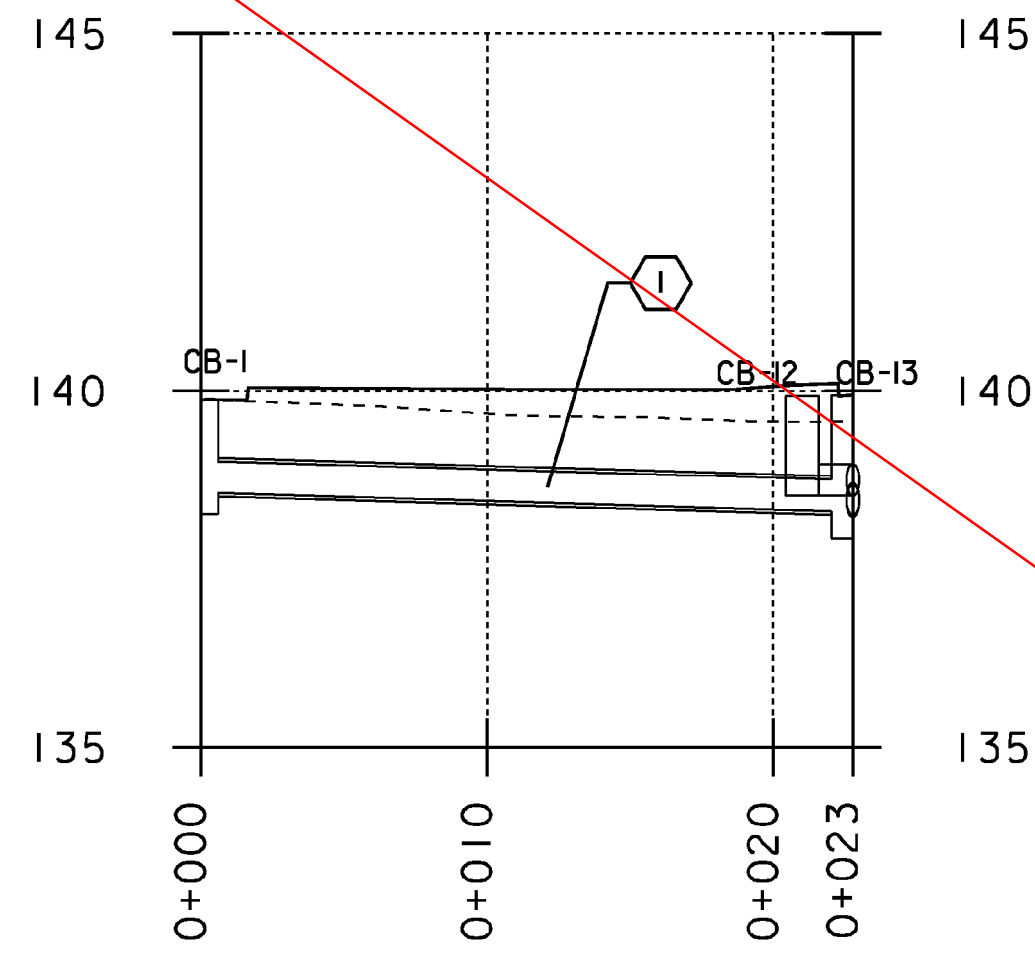


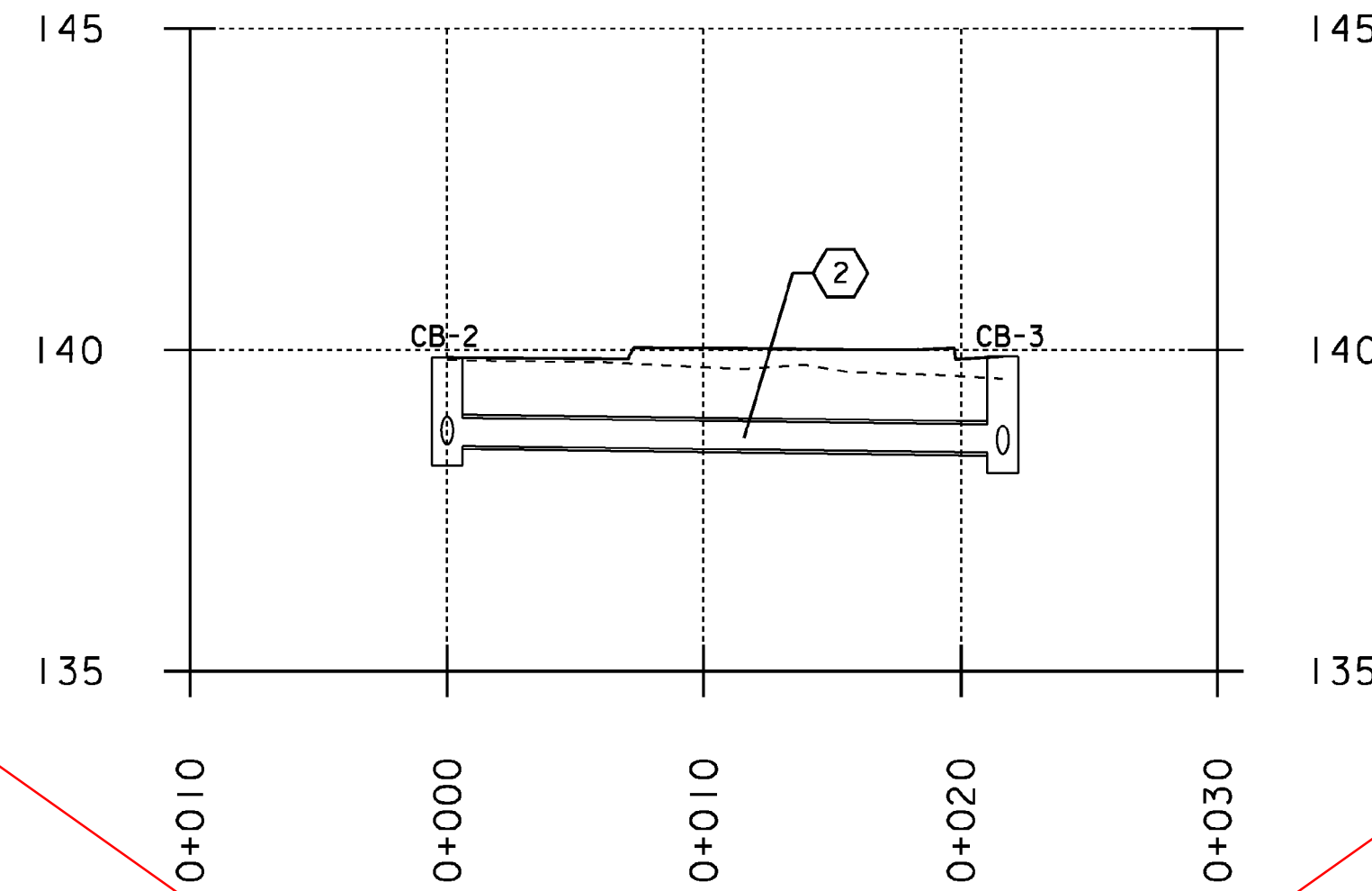
P1



①
SLOPE = 1.21%
NEW PIPE
TYPE: CPEP(SL)
LENGTH = 21.5m
DIAMETER = 450mm
INV. IN = 138.56
INV. OUT = 138.30

CB-1
GRATE: TYPE D
RIM. EL. = 139.871
DEPTH = 1.61m

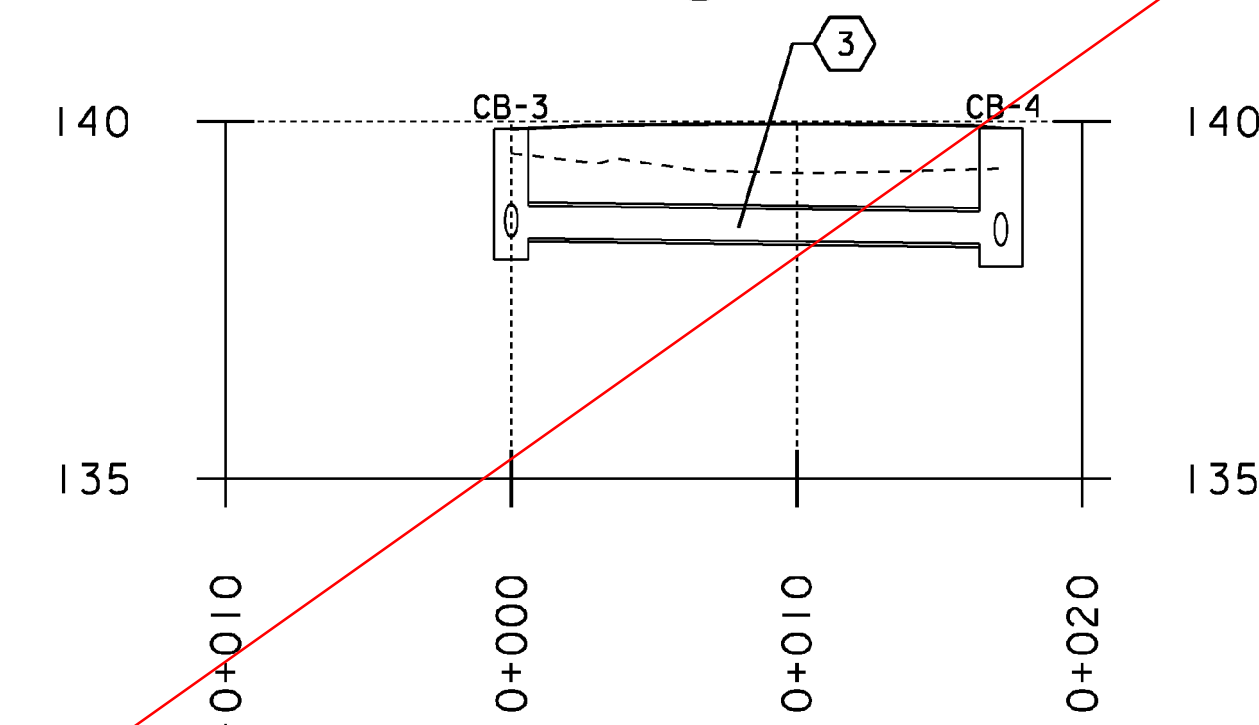
P2



②
SLOPE = 0.50%
NEW PIPE
TYPE: CPEP(SL)
LENGTH = 20.4m
DIAMETER = 450mm
INV. IN = 138.49
INV. OUT = 138.39

CB-2
GRATE: TYPE D
RIM. EL. = 139.884
DEPTH = 1.69m

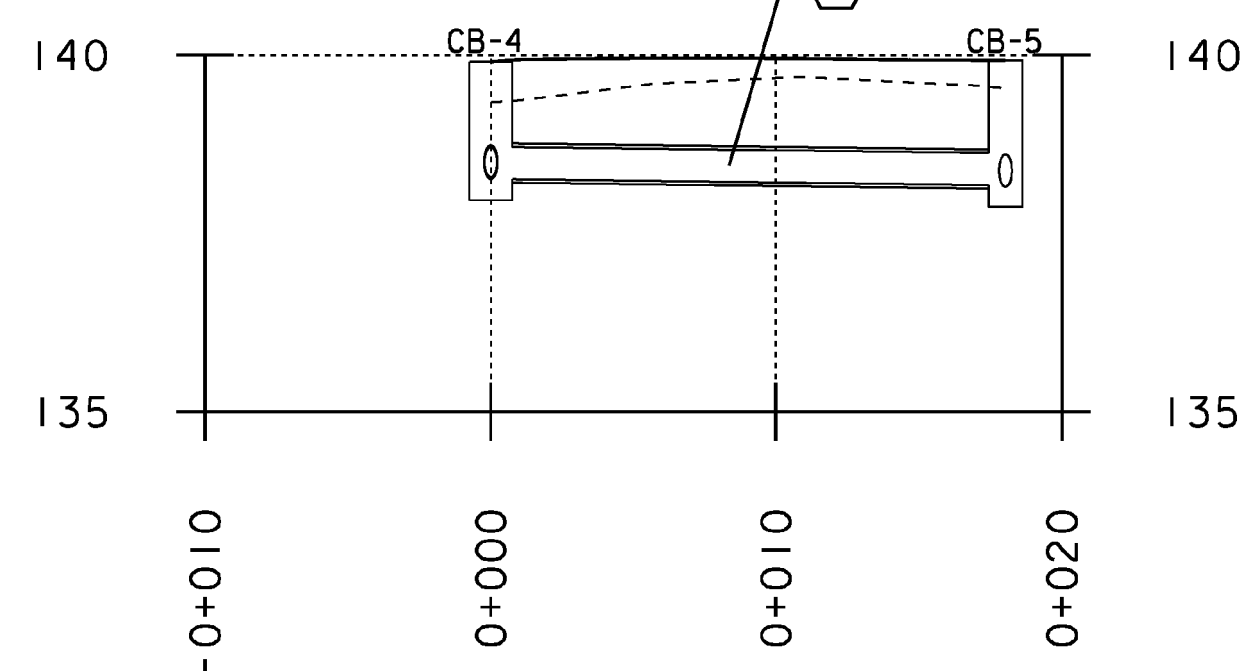
P3



③
SLOPE = 0.50%
NEW PIPE
TYPE: CPEP(SL)
LENGTH = 15.8m
DIAMETER = 450mm
INV. IN = 138.37
INV. OUT = 138.29

CB-3
GRATE: TYPE D
RIM. EL. = 139.899
DEPTH = 1.83m

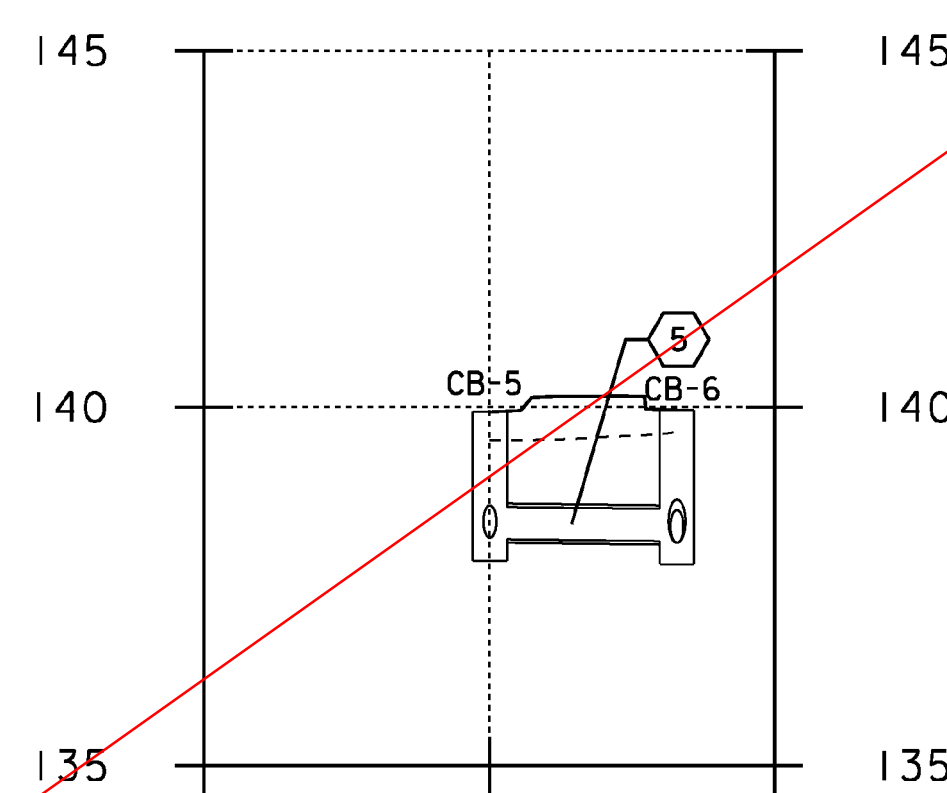
P4



④
SLOPE = 0.50%
NEW PIPE
TYPE: CPEP(SL)
LENGTH = 16.7m
DIAMETER = 450mm
INV. IN = 138.27
INV. OUT = 138.18

CB-4
GRATE: TYPE D
RIM. EL. = 139.911
DEPTH = 1.94m

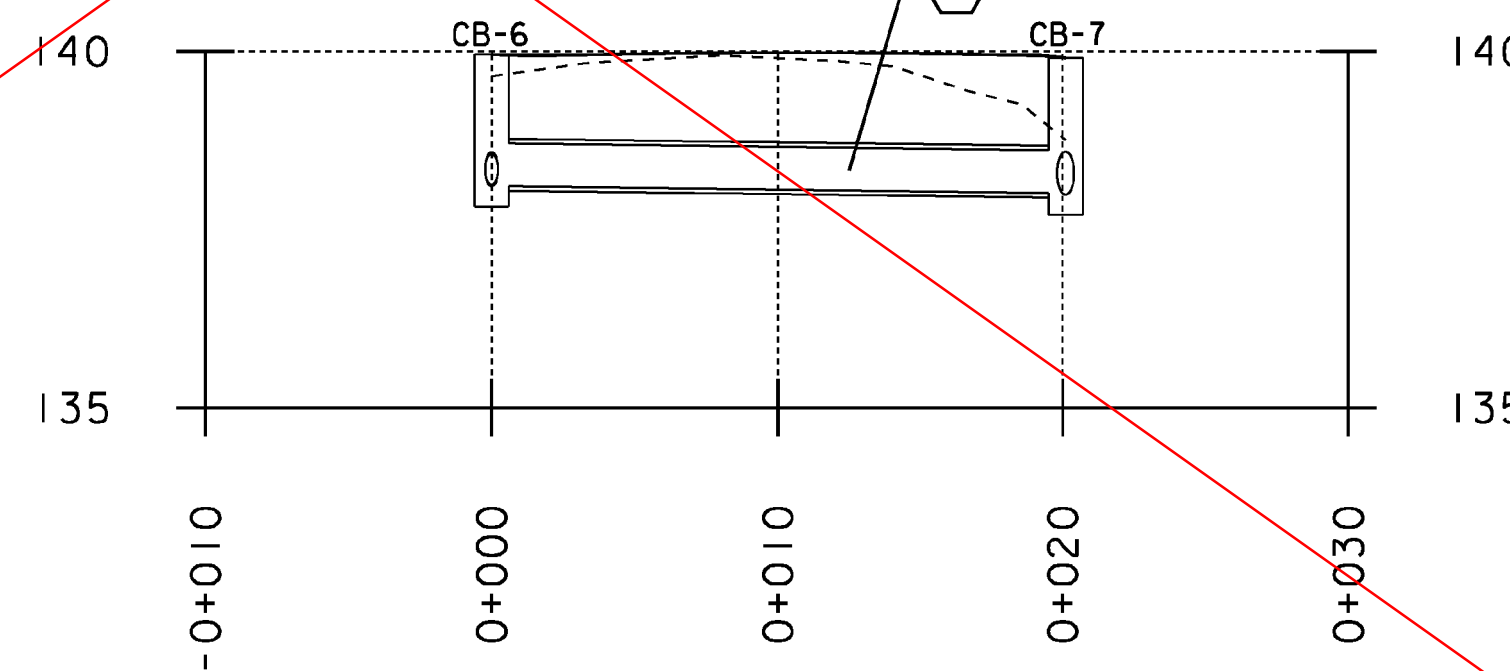
P5



⑤
SLOPE = 0.50%
NEW PIPE
TYPE: CPEP(SL)
LENGTH = 5.4m
DIAMETER = 450mm
INV. IN = 138.16
INV. OUT = 138.13

CB-5
GRATE: TYPE D
RIM. EL. = 139.931
DEPTH = 2.07m

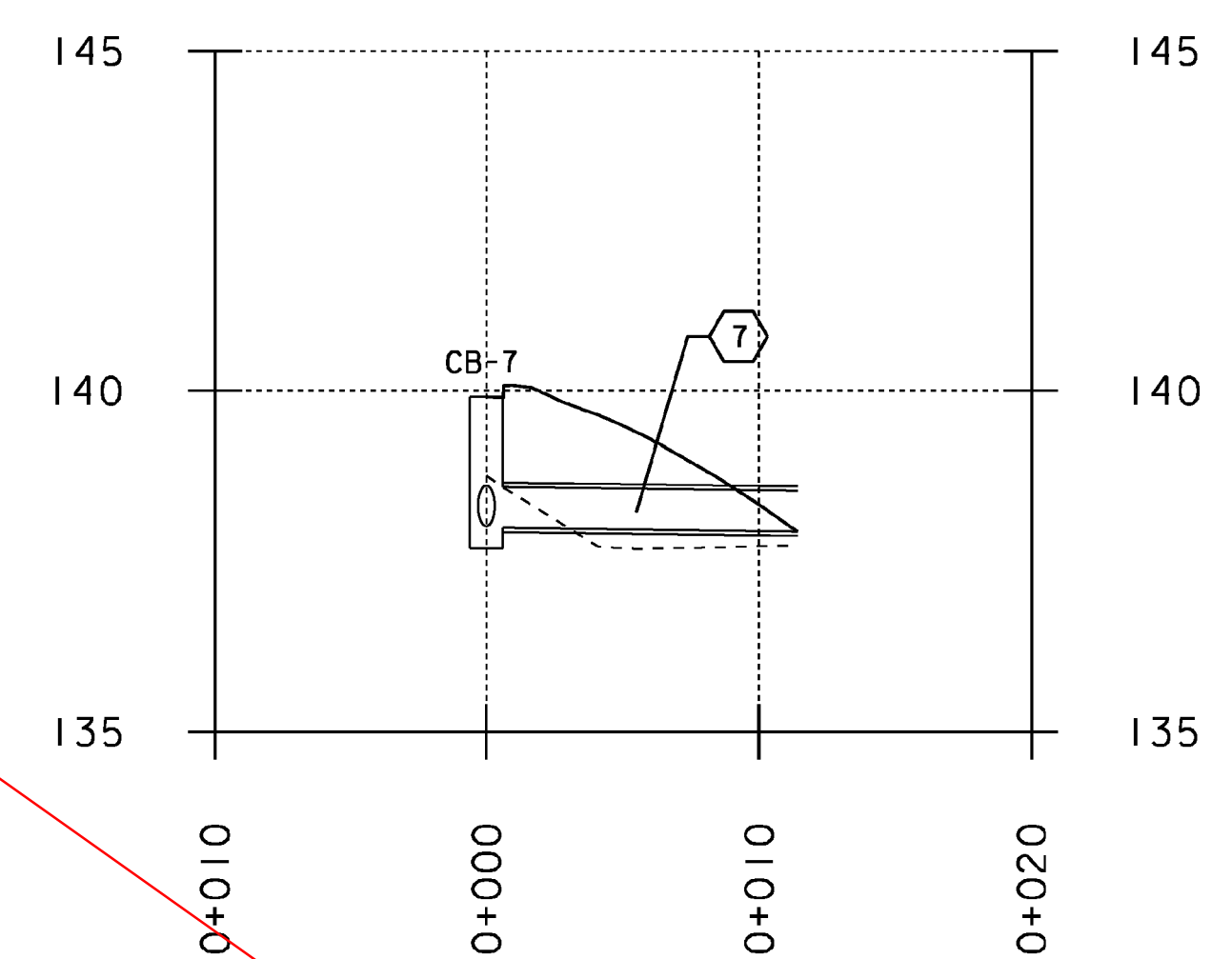
P6



⑥
SLOPE = 0.50%
NEW PIPE
TYPE: CPEP(SL)
LENGTH = 18.9m
DIAMETER = 600mm
INV. IN = 138.11
INV. OUT = 138.02

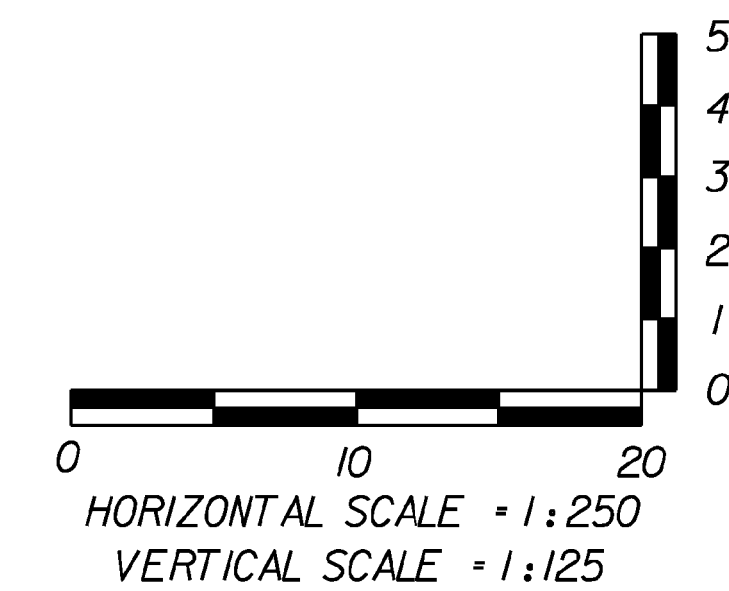
CB-6
GRATE: TYPE D
RIM. EL. = 139.958
DEPTH = 2.15m

P7



⑦
SLOPE = 0.50%
NEW PIPE
TYPE: CPEP(SL)
LENGTH = 10.8m
DIAMETER = 600mm
INV. IN = 138.00
INV. OUT = 137.94

CB-7
GRATE: TYPE D
RIM. EL. = 139.909
DEPTH = 2.21m



PROJECT NAME: CAMBRIDGE	PLOT DATE: 05-JUN-2012
PROJECT NUMBER: STP 030-2(27)	DRAWN BY: MBL
FILE NAME: +78f163pro-drn.dgn	CHECKED BY: JAD
PROJECT LEADER: JLS	SHEET 55 OF 214
DESIGNED BY: MBL	
DRAINAGE PROFILE SHEET 1	