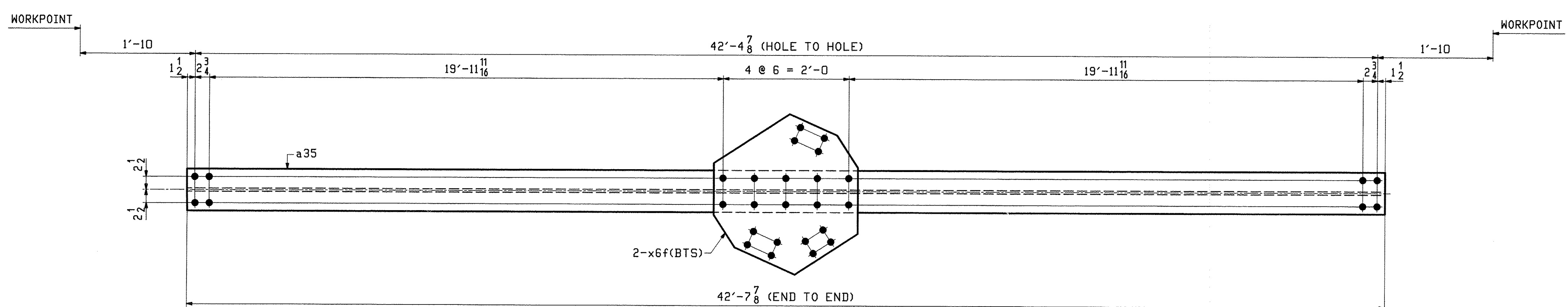
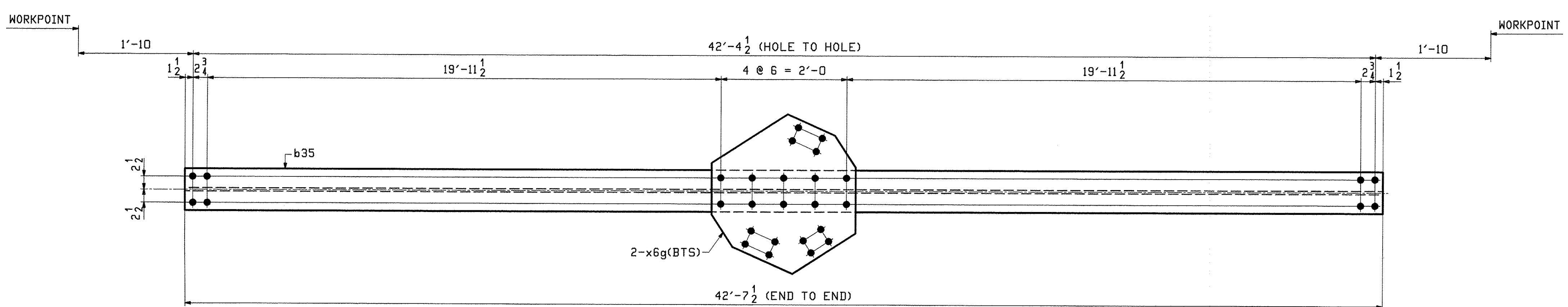


1 ~ TOP LATERAL BRACING ~ 49LB1
(U8 - U7)



1 ~ TOP LATERAL BRACING ~ 49LB2
(U7 - U6)



1 ~ TOP LATERAL BRACING ~ 49LB3
(U6 - U5)

ABM INFO		SHIP		BILL OF MATERIAL				JOB NO.		DRAWING NO.		REV.
								498		49		
PAGE	LINE	MARK	QTY	MARK	MATERIAL	LENGTH		REMARKS	WT	PROCUREMENT NOTES		
						FT	INCHES					
					49LB1	1		TOP LATERAL BRACING		2480		
7	D		1	b34	W 14x53	42	10 3/8			2272		
7	H		2	x6d	PL 1/2 x 26 1/4	2	4			104		
					49LB2	1		TOP LATERAL BRACING		2468		
7	F		1	a35	W 14x53	42	7 7/8			2261		
7	H		2	x6f	PL 1/2 x 26 1/4	2	4			104		
					49LB3	1		TOP LATERAL BRACING		2468		
7	F		1	b35	W 14x53	42	7 1/2			2259		
7	H		2	x6g	PL 1/2 x 26 1/4	2	4			104		

- NOTES:
 1. FOR GENERAL NOTES SEE SHEET GNI.
 2. HOLES IN BOTH FLANGES ARE ALIKE.

REV.	DATE	REMARKS	DWN	CHK	APVL	SHOP
MATERIAL:		SURFACE PREP. & PAINT:		HOLES:		SHOP BOLTS:
M270-50 (UN)		HOT-DIP GALV.		15/16 (UN)		7/8 (UN)
DESCRIPTION: TOP LATERAL BRACING						
CASCO BAY STEEL STRUCTURES, INC.						
1 WALLACE AVE.			PHONE (207) 780-6722		TENSOR 3073	
SOUTH PORTLAND, ME 04106			FAX. (207) 780-6726			
STRUCTURE: VT RTE 107 OVER WHITE RIVER				DRAWN:	DATE:	
				EEO	09/14	
				CHKD:	DATE:	
				PCP	09/14	
LOCATION: BETHEL, VT.			JOB NO.		DWG NO.	
PROJ NO. BRF 022-1(14)			498		49	
CUSTOMER: BECK & BELLUCCI					REV. 1	