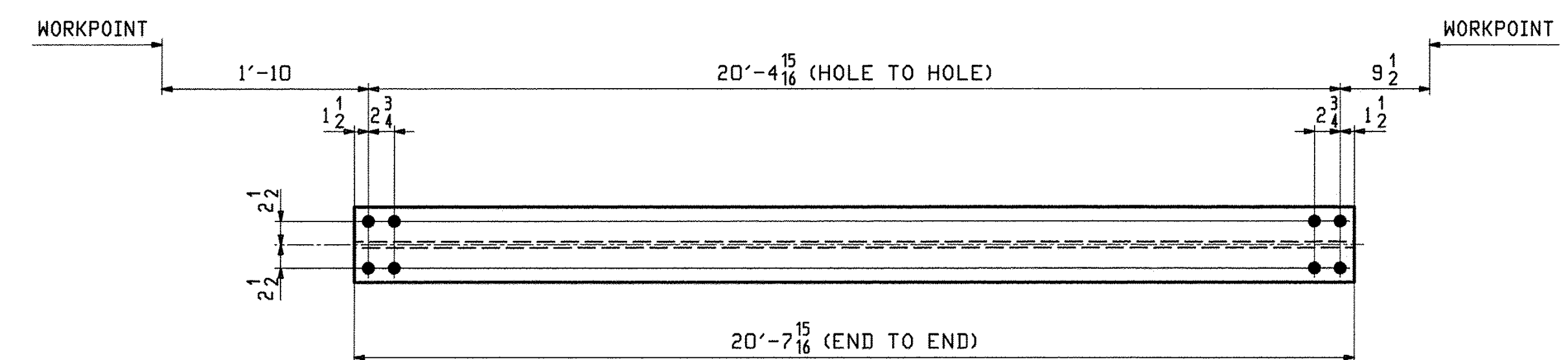
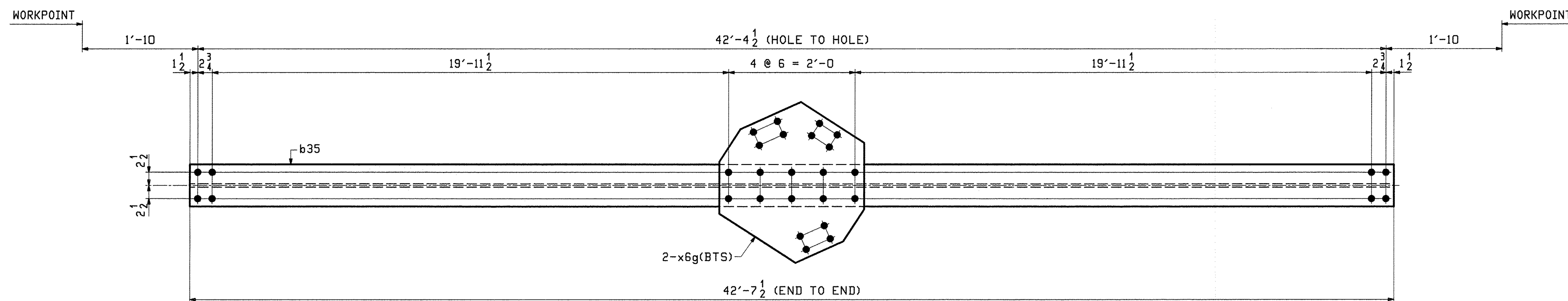


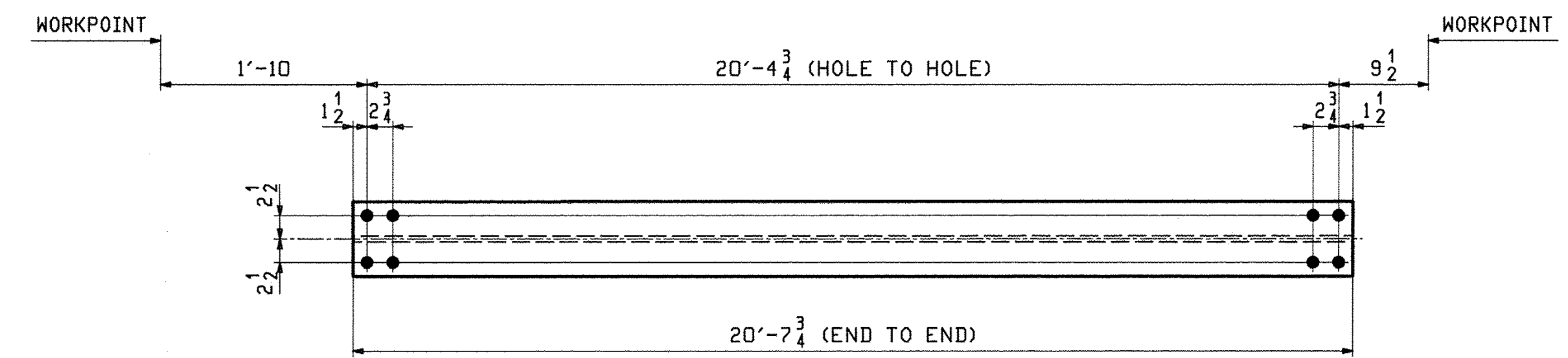
**1 ~ TOP LATERAL BRACING ~ 35LB1**  
(U3 - U4 & U7 - U6)



**4 ~ TOP LATERAL BRACING ~ 35LB2**  
(U3 - U4 & U7 - U6)



**1 ~ TOP LATERAL BRACING ~ 35LB3**  
(U4 - U5 & U6 - U5)



**4 ~ TOP LATERAL BRACING ~ 35LB4**  
(U4 - U5 & U6 - U5)

ABM INFO		SHIP		BILL OF MATERIAL			JOB NO.	DRAWING NO.	REV.
							498	35	△
PAGE	LINE	MARK	QTY	MARK	MATERIAL	LENGTH FT INCHES	REMARKS	WT	PROCUREMENT NOTES
△					TOP LATERAL BRACING			2468	
7	F		1	a35	W 14x53	42 7 7/8		2261	△
7	H		2	x6f	PL 1/2 x 2 @ 6	2 4		104	△
7	G		4		W 14x53	20 7 15/16		1095	
△					TOP LATERAL BRACING			2468	
7	F		1	b35	W 14x53	42 7 1/2		2259	△
7	H		2	x6g	PL 1/2 x 2 @ 6	2 4		104	△
7	G		4		W 14x53	20 7 1/2		1094	

- NOTES:  
1. FOR GENERAL NOTES SEE SHEET GNI.  
2. HOLES IN BOTH FLANGES ARE ALIKE.

△	9/14/12	REV'D QTY OF 35LB1 & 35LB3	EEO	PCP				
△	8/9/12	REVISE WEIGHTS IN B.O.M.	EEO	PCP				
0								
REV.	DATE	REMARKS	DWN	CHK	APVL	SHOP		
MATERIAL:		SURFACE PREP. & PAINT:		HOLES:		SHOP BOLTS:		
M270-50 (UN)		HOT-DIP GALV.		15 16 Ø (UN)		NONE		
DESCRIPTION: TOP LATERAL BRACING								
CASCO BAY STEEL STRUCTURES, INC. 1 WALLACE AVE. PHONE (207) 780-6722 SOUTH PORTLAND, ME 04106 FAX. (207) 780-6726								
STRUCTURE: VT RTE 107 OVER WHITE RIVER				DRAWN:		DATE:		
				EEO		11/01		
				CHKD:		DATE:		
				PCP		11/11		
LOCATION: BETHEL, VT.				JOB NO.		DWG NO.		
PROJ NO. BRF 022-1(14)				498		35		
CUSTOMER: BECK & BELLUCCI						REV. △		

PCP E.O. 12812-102 08/06/08 PM 02/27/2013 11:01 Rev 2