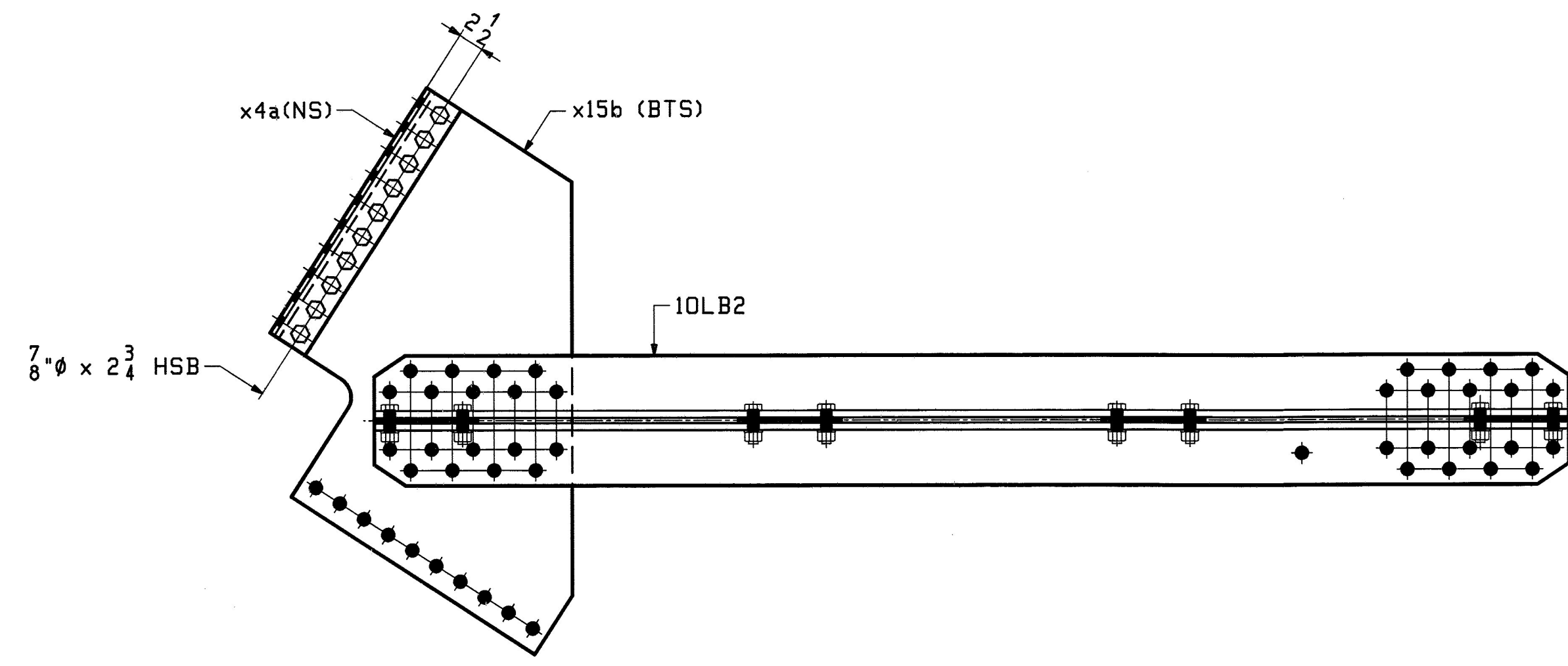
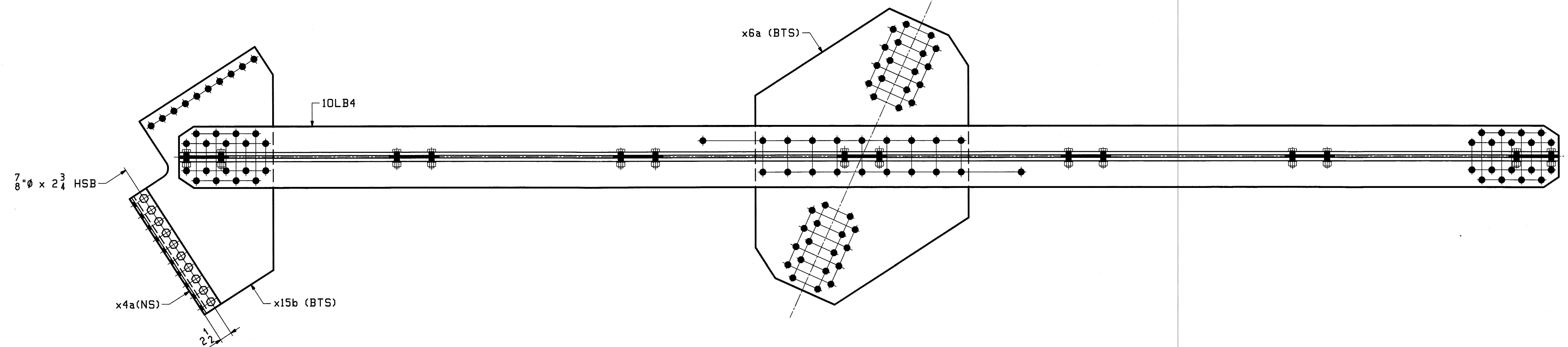


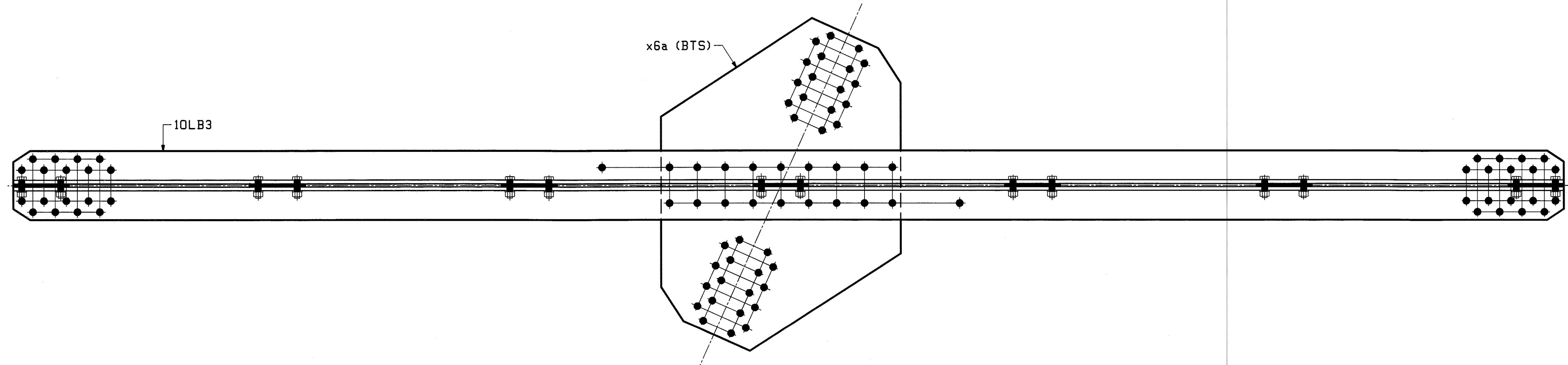
EEO Tue, Nov 29, 2011 03:55:39 PM C:\msd\jsh\2011\2011-48-1 Rev.0



2 ~ SHIPPING ASSEMBLY ~ 48SA1
BTM LATERALS @ LO (WEST TRUSS) & L10 (EAST TRUSS)



2 ~ SHIPPING ASSEMBLY ~ 48SA2
BTM LATERAL FROM LO (EAST TRUSS) TO L1 (WEST TRUSS)
BTM LATERAL FROM L10 (WEST TRUSS) TO L9 (EAST TRUSS)



8 ~ SHIPPING ASSEMBLY ~ 48SA3
TYP. BTM LATERALS FROM EAST TRUSS TO WEST TRUSS

ABM INFO		SHIP	BILL OF MATERIAL				JOB NO.	DRAWING NO.	REV.
							498	48	
PAGE	LINE	MARK	QTY	MARK	MATERIAL	LENGTH FT INCHES	REMARKS	WT	PROCUREMENT NOTES
		48SA1	2		BTM LATERAL SHIPPING ASS'Y			1689	
			2	10LB2	BTM LATERAL				
2	J		2	x15b	PL 3/8 x 36 15/16	3 3/4			
3	B		2	x4a	L 4 x 4 x 2	2 3/4	M270-36		
21	E		20		7/8 HSB	0 2 3/4	MECH. GALV. F436-1		
21	X		20		7/8 HSB		MECH. GALV. F436		
21	Y		20		LOAD IND. 7 WASH FOR 8 HSB		MECH. GALV. F436		
		48SA2	2		BTM LATERAL SHIPPING ASS'Y			3728	
			2	10LB4	BTM LATERAL				
2	L		2	x6a	PL 3/4 x 44	4 8			
2	J		2	x15b	PL 3/8 x 36 15/16	3 3/4			
3	B		2	x4a	L 4 x 4 x 2	2 3/4	M270-36		
21	E		20		7/8 HSB	0 2 3/4	MECH. GALV. F436-1		
21	X		20		7/8 HSB		MECH. GALV. F436		
21	Y		20		LOAD IND. 7 WASH FOR 8 HSB		MECH. GALV. F436		
		48SA3	8		BTM LATERAL SHIPPING ASS'Y			3448	
			8	10LB3	BTM LATERAL				
2	L		8	x6a	PL 3/4 x 44	4 8			

Vermont Agency of Transportation
RECEIVED
CK'D BY M.C.L. OK'D BY S.S.S.
January 10 2012
RESUBMIT APPROVED ✓
BY J. LACROIX DATE 01-12-2012

REV.	DATE	REMARKS	DWN	CHK	APVL	SHOP
0						
MATERIAL:		SURFACE PREP. & PAINT:		HOLES:		SHOP BOLTS:
M270-50 (UN)		HOT-DIP GALV.		15 16 (UN)		7 8 (UN)
DESCRIPTION: SHIPPING ASSEMBLY						
CASCO BAY STEEL STRUCTURES, INC. 1 WALLACE AVE. PHONE (207) 780-6722 SOUTH PORTLAND, ME 04106 FAX. (207) 780-6726						
STRUCTURE: VT RTE 107 OVER WHITE RIVER				DRAWN:	DATE:	
				EEO	11/22	
				CHKD:	DATE:	
				PCP	11/28	
LOCATION: BETHEL, VT.					JOB NO.	DWG NO.
PROJ NO. BRF 022-1(14)					498	48
CUSTOMER: BECK & BELLUCCI						REV. △