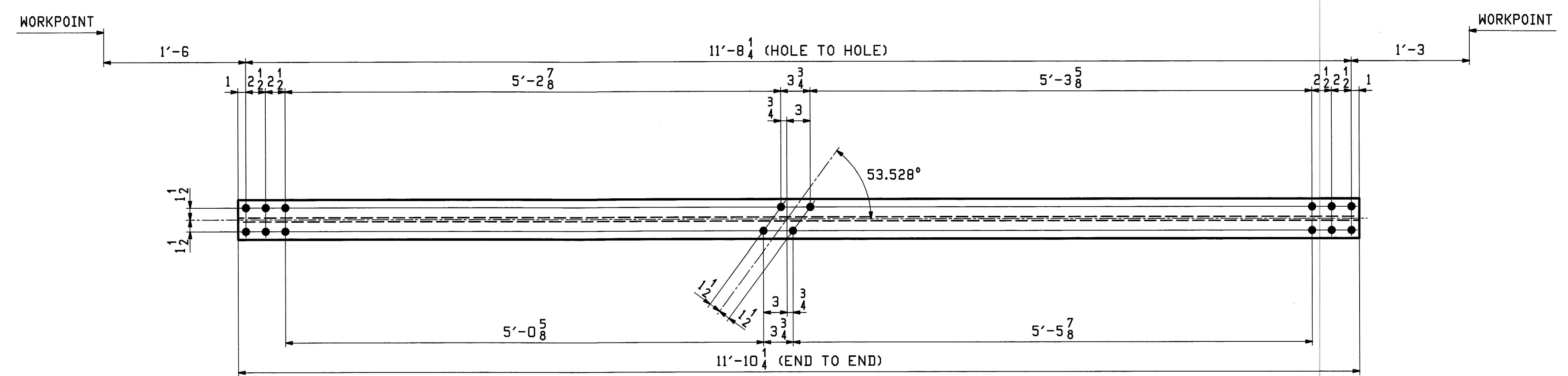
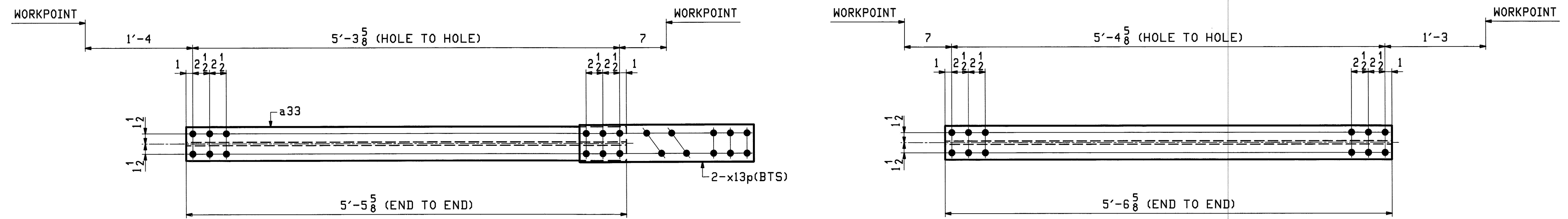


JOB NO.		DRAWING NO.		REV.						
498		33								
PAGE	LINE	MARK	QTY	MARK	MATERIAL	LENGTH		REMARKS	WT	PROCUREMENT NOTES
						FT	INCHES			
B	B	33DG1	4		W 14x22	11	10 1/4		261	
		33DG2	4		PORTAL DIAGONAL				161	
B	C		4	a33	W 14x22	5	5 3/8			
B	T		8	x13p	PL 1/2 x 5 1/2	2	2			
B	C	33DG3	6		W 14x22	5	6 5/8		122	
B	B	33DG4	2		W 14x22	12	1 1/4		266	
		33DG5	2		PORTAL DIAGONAL				163	
B	C		2	b33	W 14x22	5	6 3/8			
B	T		4	x13p	PL 1/2 x 5 1/2	2	2			
B	D	33LS1	4		W 14x22	5	7		123	

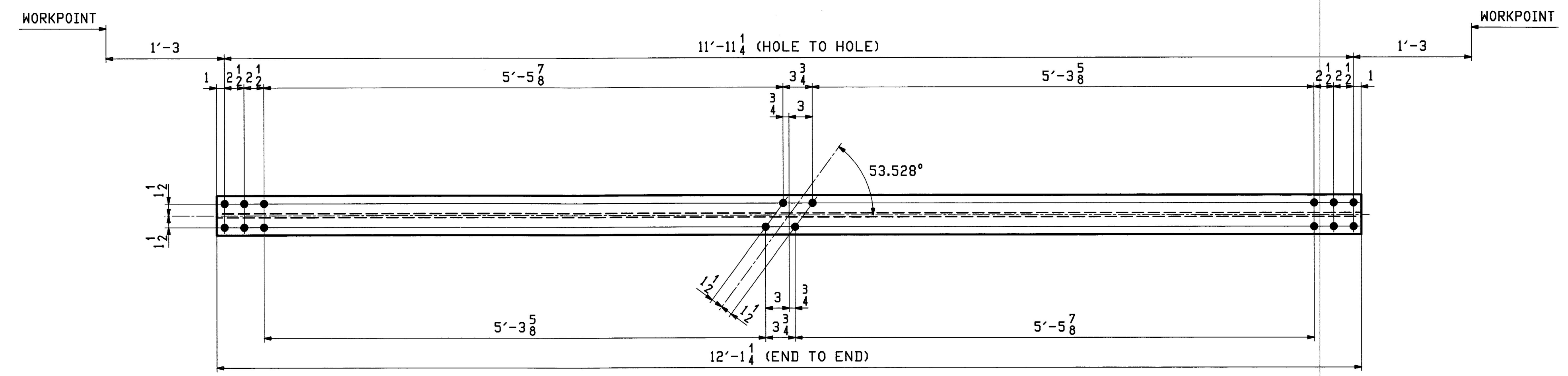


4 ~ PORTAL DIAGONAL ~ 33DG1

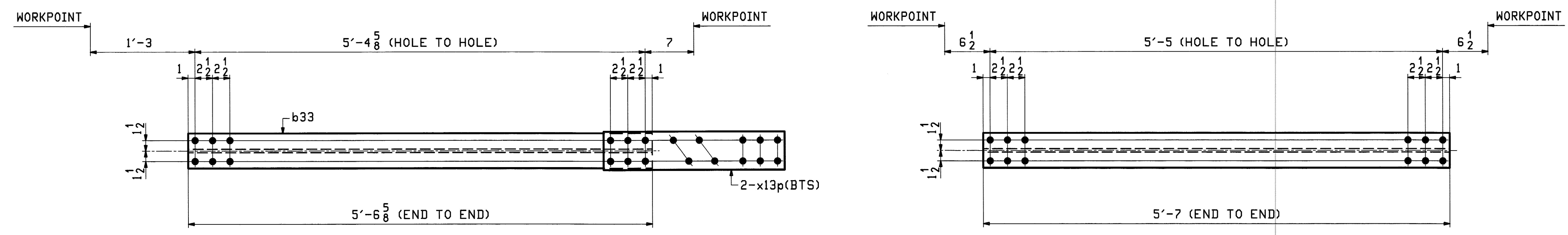


4 ~ PORTAL DIAGONAL ~ 33DG2

6 ~ PORTAL DIAGONAL ~ 33DG3



2 ~ PORTAL DIAGONAL ~ 33DG4



2 ~ PORTAL DIAGONAL ~ 33DG5

4 ~ LONG. STRUT ~ 33LS1

Vermont Agency of Transportation
RECEIVED
 CK'D BY M.C.L. OK'D BY S.S.S.
 January 10 2012
 RESUBMIT APPROVED ✓
 BY J. LACROIX DATE 01-12-2012

- NOTES:
 1. FOR GENERAL NOTES SEE SHEET GNI.
 2. HOLES IN BOTH FLANGES ARE ALIKE.

REV.	DATE	REMARKS	DWN	CHK	APVL	SHOP
0						
MATERIAL:		SURFACE PREP. & PAINT:		HOLES:		SHOP BOLTS:
M270-50 (UN)		HOT-DIP GALV.		11 1/16 (UN)		NONE
DESCRIPTION: PORTAL DIAGONALS & LONG. STRUT						
CASCO BAY STEEL STRUCTURES, INC. 1 WALLACE AVE. PHONE (207) 780-6722 SOUTH PORTLAND, ME 04106 FAX. (207) 780-6726						
STRUCTURE: VT RTE 107 OVER WHITE RIVER				DRAWN:	DATE:	
				EEO	11/01	
				CHKD:	DATE:	
				PCP	11/01	
LOCATION: BETHEL, VT.				JOB NO.	DWG NO.	
PROJ NO. BRF 022-1(14)				498	33	
CUSTOMER: BECK & BELLUCCI					REV. △	

EEO This Nov 17, 2011 09:34:22 AM C:\msdcs\apps\pds\33 RevD