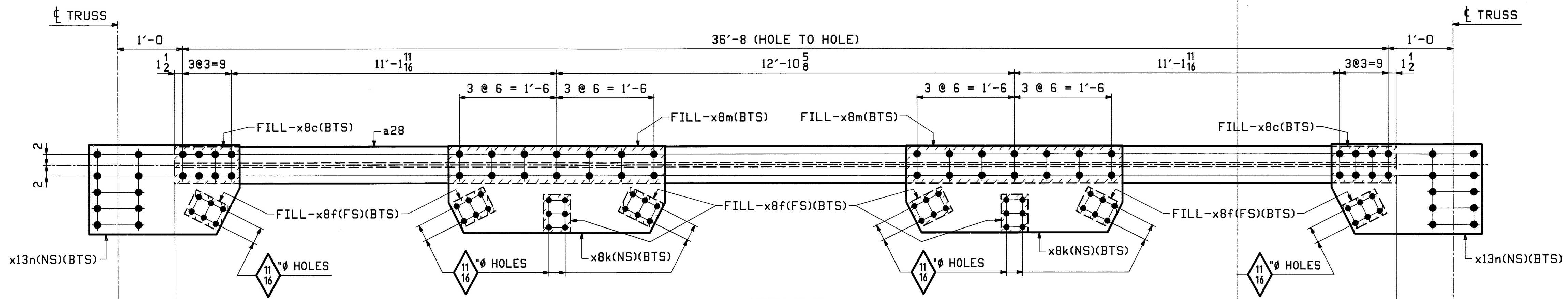
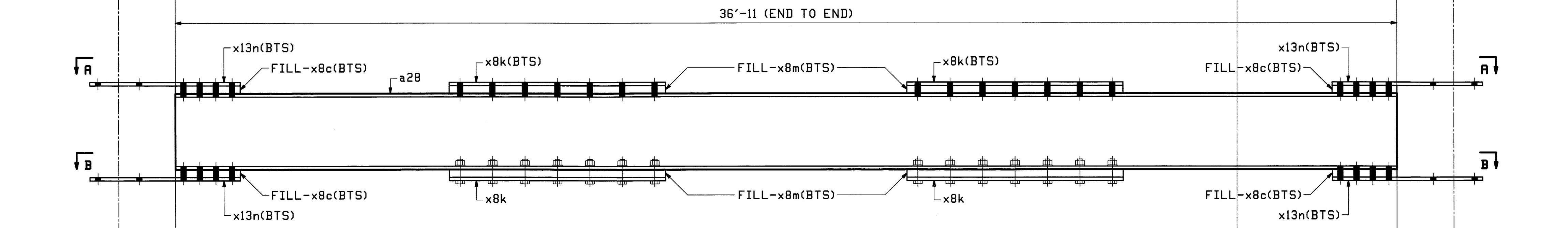


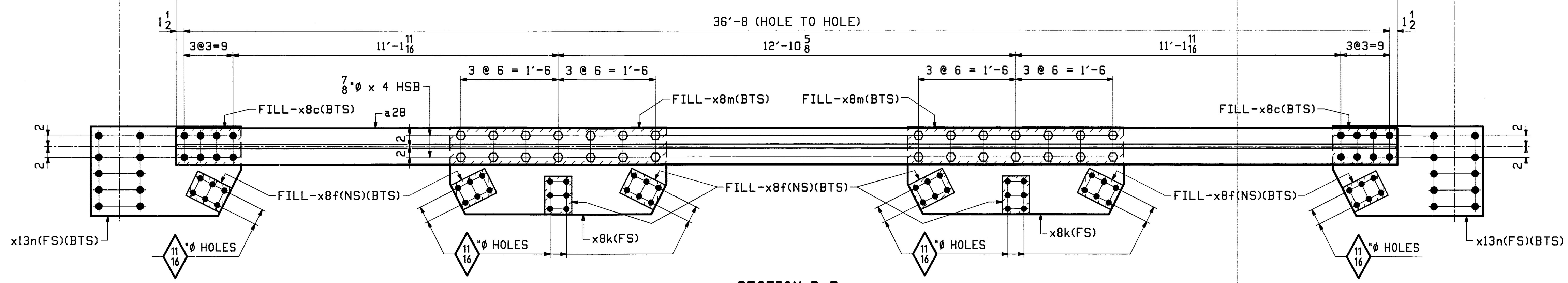
ABM INFO		SHIP		BILL OF MATERIAL				JOB NO.	DRAWING NO.	REV.
								498	28	
PAGE	LINE	MARK	QTY	MARK	MATERIAL	LENGTH		REMARKS	WT	PROCUREMENT NOTES
						FT	INCHES			
		28PS1	2		PORTAL STRUT				2883	
6	V		2	a28	W 14x38	36	11			
8	V		8	x8c	PL 1/2x6 3/4	1	0	FILL		
8	U		32	x8f	PL 1/2x5	0	7	FILL		
8	R		8	x8k	PL 1/2x15	3	4			
8	X		8	x8m	PL 1/2x5 3/4	3	4	FILL		
8	S		8	x13n	PL 1/2x10 1/2	2	3 13/16			
21	K		56		7/8 HSB	0	4	MECH. GALV. F436		
21	X		56		7/8 HSW			MECH. GALV. F436		
21	Y		56		LOAD IND. WASH FOR 8			MECH. GALV. F436		



VIEW A-A



2 ~ PORTAL STRUT ~ 28PS1
LOOKING BACKSTATION NEAR U1
LOOKING UPSTATION NEAR U9



SECTION B-B

Vermont Agency of Transportation
RECEIVED
CK'D BY M.C.L. OK'D BY S.S.S.
January 10 2012
RESUBMIT APPROVED ✓
BY J. LACROIX DATE 01-12-2012

NOTES:
1. FOR GENERAL NOTES SEE SHEET GNI.

REV.	DATE	REMARKS	DWN	CHK	APVL	SHOP	
0							
MATERIAL:	M270-50 (UN)	SURFACE PREP. & PAINT:	HOT-DIP GALV.	HOLES:	15/16 (UN)	SHOP BOLTS:	7/8 (UN)
DESCRIPTION:	END PORTAL STRUT 28PS1						
CASCO BAY STEEL STRUCTURES, INC. 1 WALLACE AVE. SOUTH PORTLAND, ME 04106 PHONE (207) 780-6722 FAX. (207) 780-6726							
STRUCTURE:	VT RTE 107 OVER WHITE RIVER		DRAWN:	EEO	DATE:	10/25	
			CHKD:	PCP	DATE:	10/28	
LOCATION:	BETHEL, VT.		JOB NO.	498			
PROJ NO.	BRF 022-1(14)		DWG NO.	28			
CUSTOMER:	BECK & BELLUCCI		REV.	△			

EEO This Nov 17, 2011 09:28:08 AM