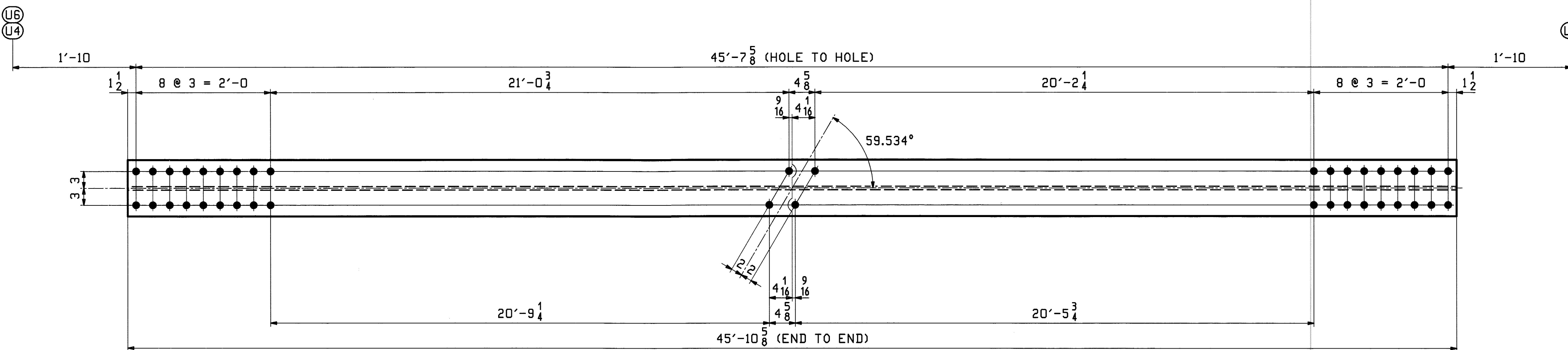


ONE ~ DIAGONAL ~ 22D3W (U3 - L4 WEST) **ONE ~ DIAGONAL ~ 22D6W** (U7 - L6 WEST)
ONE ~ DIAGONAL ~ 22D3E (U3 - L4 EAST) **ONE ~ DIAGONAL ~ 22D6E** (U7 - L6 EAST)

ALL ALIKE EXCEPT FOR MARK



ONE ~ DIAGONAL ~ 22D4W (U4 - L5 WEST) **ONE ~ DIAGONAL ~ 22D5W** (U6 - L5 WEST)
ONE ~ DIAGONAL ~ 22D4E (U4 - L5 EAST) **ONE ~ DIAGONAL ~ 22D5E** (U6 - L5 EAST)

ALL ALIKE EXCEPT FOR MARK

ABM INFO		SHIP	BILL OF MATERIAL			JOB NO.	DRAWING NO.	REV.	
PAGE	LINE	MARK	QTY	MARK	MATERIAL	LENGTH FT INCHES	REMARKS	WT	PROCUREMENT NOTES
6	R	22D3W	1	W	14x61	44 9 1/16	M270-50T2	2730	
6	R	22D3E	1	W	14x61	44 9 1/16	M270-50T2	2730	
6	R	22D6W	1	W	14x61	44 9 1/16	M270-50T2	2730	
6	R	22D6E	1	W	14x61	44 9 1/16	M270-50T2	2730	
6	S	22D4W	1	W	14x61	45 10 5/8	M270-50T2	2798	
6	S	22D4E	1	W	14x61	45 10 5/8	M270-50T2	2798	
6	S	22D5W	1	W	14x61	45 10 5/8	M270-50T2	2798	
6	S	22D5E	1	W	14x61	45 10 5/8	M270-50T2	2798	

Vermont Agency of Transportation
RECEIVED

CK'D BY M.C.L. OK'D BY S.S.S.

January 10 2012

RESUBMIT APPROVED ✓
BY J. LACROIX DATE 01-12-2012

NOTES:

- FOR GENERAL NOTES SEE SHEET GNI.
- HOLES IN BOTH FLANGES ARE ALIKE.

REV.	DATE	REMARKS	DWN	CHK	APVL	SHOP
0						
MATERIAL:		SURFACE PREP. & PAINT:		HOLES:		SHOP BOLTS:
M270-50 (UN)		HOT-DIP GALV.		15 16 Ø (UN)		7 8 Ø (UN)
DESCRIPTION: DIAGONALS (U3-L4, U7-L6, U4-L5, U6-L5)						
CASCO BAY STEEL STRUCTURES, INC. 1 WALLACE AVE. SOUTH PORTLAND, ME 04106 PHONE (207) 780-6722 FAX. (207) 780-6726						
STRUCTURE: VT RTE 107 OVER WHITE RIVER			DRAWN:	DATE:		
			EEO	10/13		
			CHKD:	DATE:		
			PCP	11/11		
LOCATION: BETHEL, VT.			JOB NO.	DWG NO.		
PROJ NO. BRF 022-1(14)			498	22		
CUSTOMER: BECK & BELLUCCI				REV.	△	