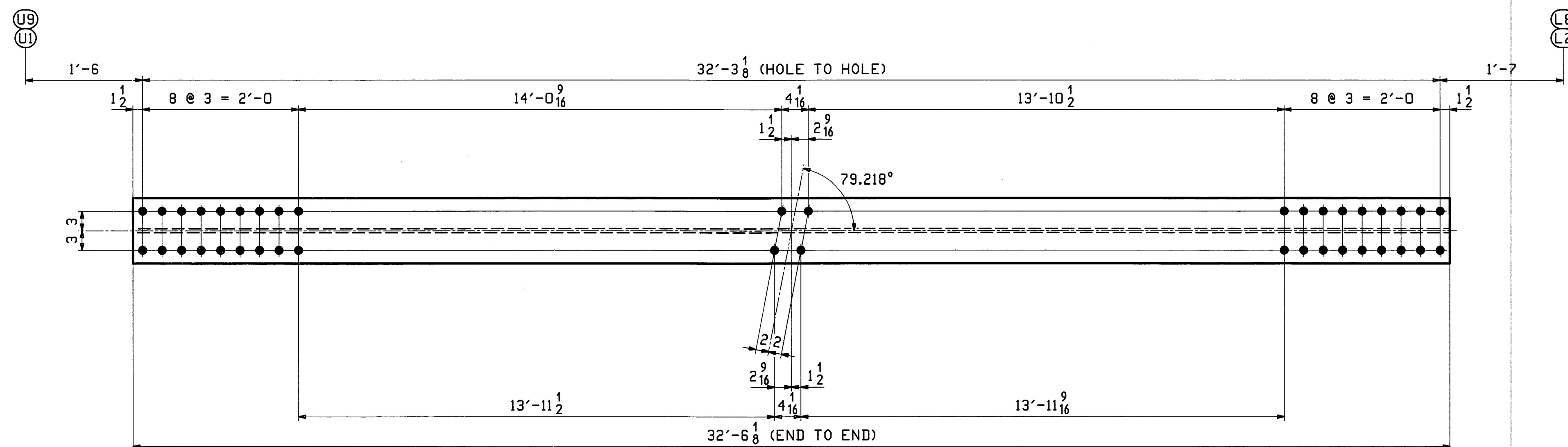
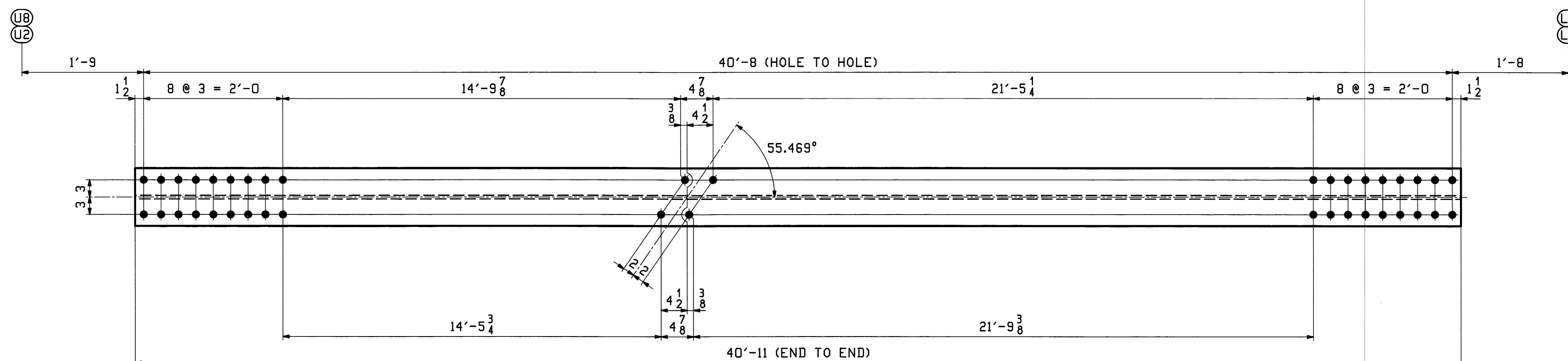


PAGE	LINE	MARK	QTY	MARK	MATERIAL	LENGTH		REMARKS	WT	PROCUREMENT NOTES
						FT	INCHES			
6	P	21D1W	1		W 14x61	32	6 1/8	M270-50T2	1983	
6	P	21D1E	1		W 14x61	32	6 1/8	M270-50T2	1983	
6	P	21D8W	1		W 14x61	32	6 1/8	M270-50T2	1983	
6	P	21D8E	1		W 14x61	32	6 1/8	M270-50T2	1983	
6	Q	21D2W	1		W 14x61	40	11	M270-50T2	2495	
6	Q	21D2E	1		W 14x61	40	11	M270-50T2	2495	
6	Q	21D7W	1		W 14x61	40	11	M270-50T2	2495	
6	Q	21D7E	1		W 14x61	40	11	M270-50T2	2495	



ONE ~ DIAGONAL ~ 21D1W ONE ~ DIAGONAL ~ 21D8W
 (U1 - L2 WEST) (U9 - L8 WEST)
ONE ~ DIAGONAL ~ 21D1E ONE ~ DIAGONAL ~ 21D8E
 (U1 - L2 EAST) (U9 - L8 EAST)

ALL ALIKE EXCEPT FOR MARK



ONE ~ DIAGONAL ~ 21D2W ONE ~ DIAGONAL ~ 21D7W
 (U2 - L3 WEST) (U8 - L7 WEST)
ONE ~ DIAGONAL ~ 21D2E ONE ~ DIAGONAL ~ 21D7E
 (U2 - L3 EAST) (U8 - L7 EAST)

ALL ALIKE EXCEPT FOR MARK

Vermont Agency of Transportation
RECEIVED

CK'D BY M.C.L. OK'D BY S.S.S.
 January 10 2012
 RESUBMIT APPROVED ✓
 BY J. LACROIX DATE 01-12-2012

- NOTES:
 1. FOR GENERAL NOTES SEE SHEET GNI.
 2. HOLES IN BOTH FLANGES ARE ALIKE.

REV.	DATE	REMARKS	DWN	CHK	APVL	SHOP
0						
MATERIAL:		SURFACE PREP. & PAINT:		HOLES:		SHOP BOLTS:
M270-50 (UN)		HOT-DIP GALV.		15/16 (UN)		NONE
DESCRIPTION: DIAGONALS (U1-L2, U9-L8, U2-L3, U8-L7)						
CASCO BAY STEEL STRUCTURES, INC. 1 WALLACE AVE. PHONE (207) 780-6722 SOUTH PORTLAND, ME 04106 FAX. (207) 780-6726						
STRUCTURE: VT RTE 107 OVER WHITE RIVER				DRAWN:	DATE:	
				EEO	10/13	
				CHKD:	DATE:	
				PCP	10/14	
LOCATION: BETHEL, VT.				JOB NO.	DWG NO.	
PROJ NO. BRF 022-1(14)				498	21	
CUSTOMER: BECK & BELLUCCI				REV.	△	

C:\p\New 17_2011\02011\02011.dwg 1/10/11 10:00 AM 1/10/11 10:00 AM