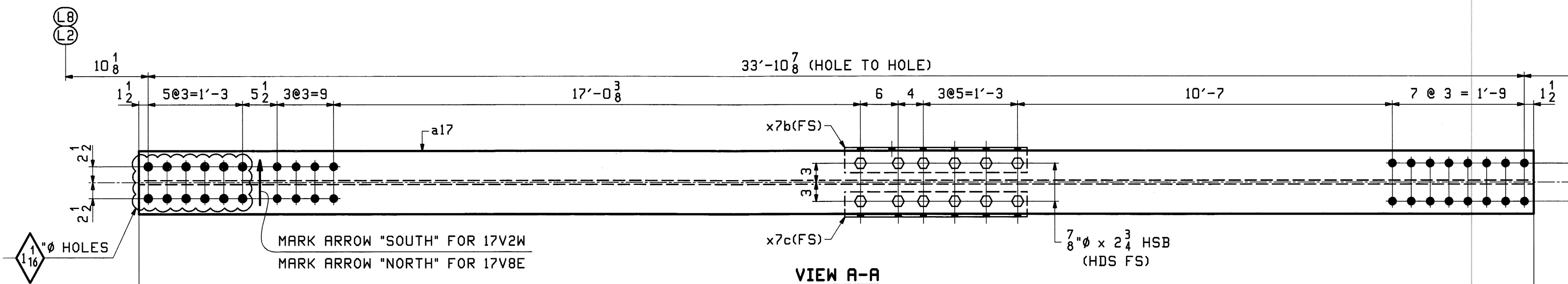


NOTE "Y"
HOLES IN BOTH FLANGES ARE ALIKE.

ONE ~ VERTICAL ~ 17V1W (L1 - U1 WEST)
ONE ~ VERTICAL ~ 17V9W (L9 - U9 WEST)

ONE ~ VERTICAL ~ 17V1E (L1 - U1 EAST)
ONE ~ VERTICAL ~ 17V9E (L9 - U9 EAST)

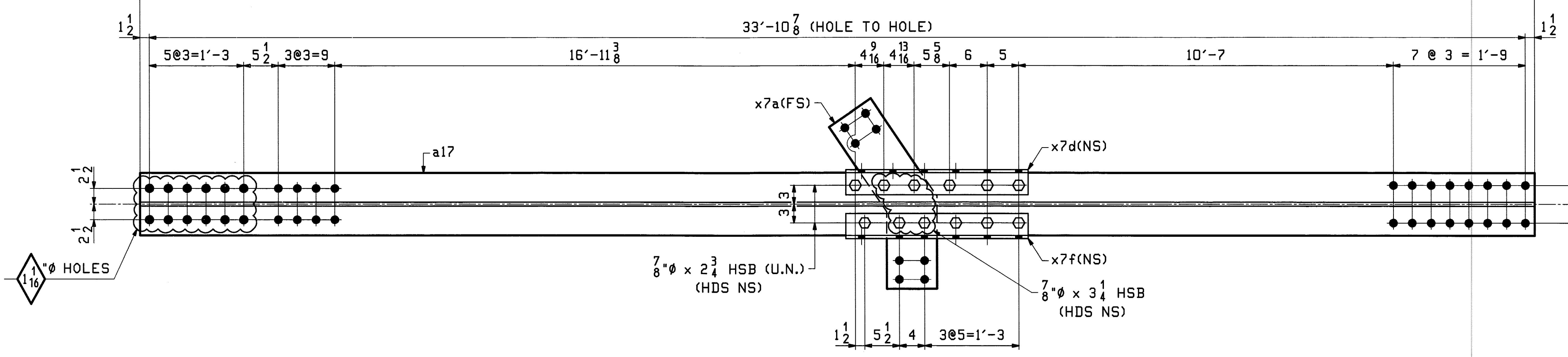
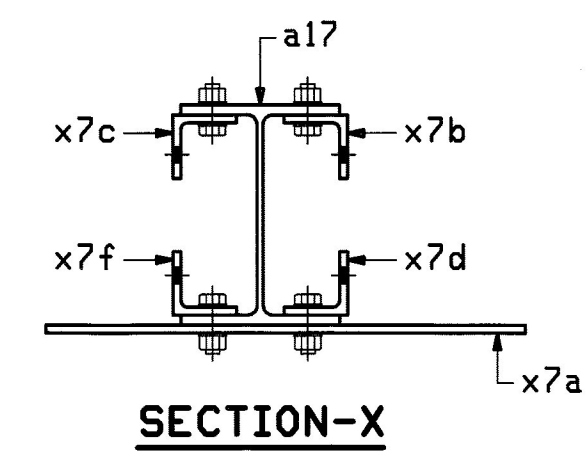
ALL ALIKE EXCEPT FOR MARK



VIEW A-A

ONE ~ VERTICAL ~ 17V2W (L2 - U2 WEST)
ONE ~ VERTICAL ~ 17V8E (L8 - U8 EAST)

ALIKE EXCEPT FOR MARK



SECTION B-B

ABM INFO		SHIP		BILL OF MATERIAL			JOB NO.	DRAWING NO.	REV.
PAGE	LINE	MARK	QTY	MARK	MATERIAL	LENGTH FT INCHES	REMARKS	WT	PROCUREMENT NOTES
6	H	17V1W	1	W	14x61	22 5 13/16	M270-50T2	1372	
6	H	17V1E	1	W	14x61	22 5 13/16	M270-50T2	1372	
6	H	17V9W	1	W	14x61	22 5 13/16	M270-50T2	1372	
6	H	17V9E	1	W	14x61	22 5 13/16	M270-50T2	1372	
		17V2W	1		VERTICAL				2303
6	J	a17	1	W	14x61	34 1 7/8	M270-50T2		
4	V	x7a	1	PL	1/2 x 17 3/8	2 6 1/4			
4	R	x7b	1	L	4x4x 1/2	2 5	M270-36		
4	R	x7c	1	L	4x4x 1/2	2 5	M270-36		
4	R	x7d	1	L	4x4x 1/2	2 5	M270-36		
4	R	x7f	1	L	4x4x 1/2	2 5	M270-36		
21	E	20		7/8	HSB	0 2 3/4	MECH. GALV. F436-1		
21	G	4		7/8	HSB	0 3 1/4	MECH. GALV. F436-1		
21	X	24		7/8	HSW		MECH. GALV. F436		
21	Y	24		LOAD IND. WASH FOR	7/8	HSB	MECH. GALV. F436		
		17V8E	1		VERTICAL				2303
6	J	a17	1	W	14x61	34 1 7/8	M270-50T2		
4	V	x7a	1	PL	1/2 x 17 3/8	2 6 1/4			
4	R	x7b	1	L	4x4x 1/2	2 5	M270-36		
4	R	x7c	1	L	4x4x 1/2	2 5	M270-36		
4	R	x7d	1	L	4x4x 1/2	2 5	M270-36		
4	R	x7f	1	L	4x4x 1/2	2 5	M270-36		
21	E	20		7/8	HSB	0 2 3/4	MECH. GALV. F436-1		
21	G	4		7/8	HSB	0 3 1/4	MECH. GALV. F436-1		
21	X	24		7/8	HSW		MECH. GALV. F436		
21	Y	24		LOAD IND. WASH FOR	7/8	HSB	MECH. GALV. F436		

Vermont Agency of Transportation
RECEIVED
CK'D BY M.C.L. OK'D BY S.S.S.
January 10 2012
RESUBMIT APPROVED ✓
BY J. LACROIX DATE 01-12-2012

NOTES:
1. FOR GENERAL NOTES SEE SHEET GNI.

REV.	DATE	REMARKS	DWN	CHK	APVL	SHOP
0						
MATERIAL:		SURFACE PREP. & PAINT:		HOLES:		SHOP BOLTS:
M270-50 (UN)		HOT-DIP GALV.		15/16 (UN)		7/8 (UN)
DESCRIPTION: VERTICALS (L1-U1, L9-U9, L2-U2, L8-U8)						
CASCO BAY STEEL STRUCTURES, INC. 1 WALLACE AVE. PHONE (207) 780-6722 SOUTH PORTLAND, ME 04106 FAX. (207) 780-6726						
STRUCTURE: VT RTE 107 OVER WHITE RIVER				DRAWN:	DATE:	
				EEO	10/12	
				CHKD:	DATE:	
				PCP	10/14	
LOCATION: BETHEL, VT.				JOB NO.	DWG NO.	
PROJ NO. BRP 022-1(14)				498	17	
CUSTOMER: BECK & BELLUCCI					REV. Δ	