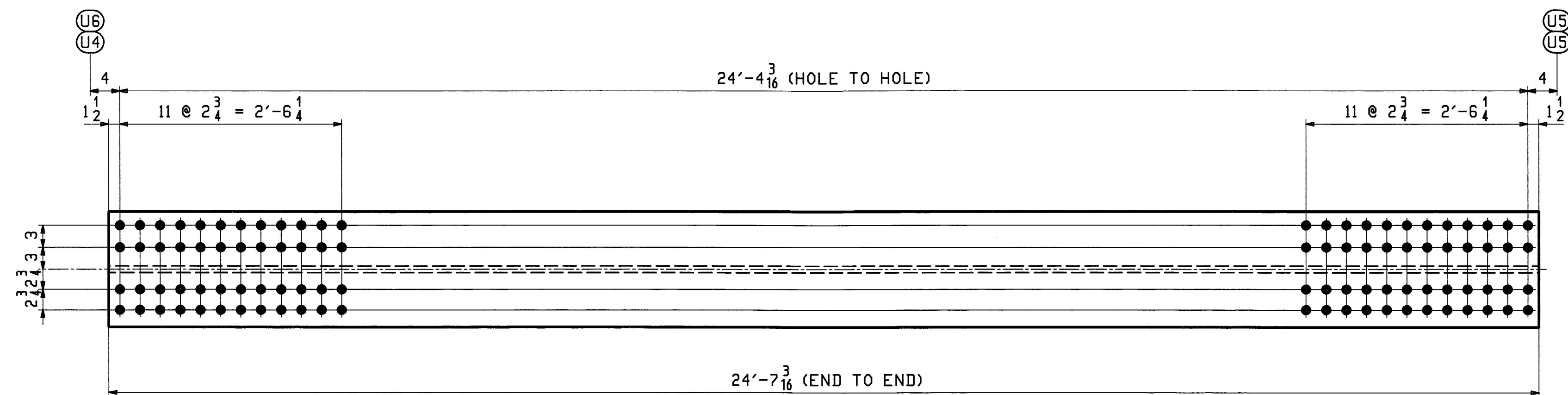


ONE ~ TOP CHORD ~ 13TC4W (U3 - U4 WEST) **ONE ~ TOP CHORD ~ 13TC7W** (U7 - U6 WEST)
ONE ~ TOP CHORD ~ 13TC4E (U3 - U4 EAST) **ONE ~ TOP CHORD ~ 13TC7E** (U7 - U6 EAST)

ALL ALIKE EXCEPT FOR MARK



ONE ~ TOP CHORD ~ 13TC5W (U4 - U5 WEST) **ONE ~ TOP CHORD ~ 13TC6W** (U6 - U5 WEST)
ONE ~ TOP CHORD ~ 13TC5E (U4 - U5 EAST) **ONE ~ TOP CHORD ~ 13TC6E** (U6 - U5 EAST)

ALL ALIKE EXCEPT FOR MARK

ABM INFO		SHIP		BILL OF MATERIAL			JOB NO.	DRAWING NO.	REV.
PAGE	LINE	MARK	QTY	MARK	MATERIAL	LENGTH FT INCHES	REMARKS	WT	PROCUREMENT NOTES
6	E	13TC4W	1	W	14x193	24 7 11/16		4756	
6	E	13TC4E	1	W	14x193	24 7 11/16		4756	
6	E	13TC7W	1	W	14x193	24 7 11/16		4756	
6	E	13TC7E	1	W	14x193	24 7 11/16		4756	
6	E	13TC5W	1	W	14x193	24 7 3/16		4748	
6	E	13TC5E	1	W	14x193	24 7 3/16		4748	
6	E	13TC6W	1	W	14x193	24 7 3/16		4748	
6	E	13TC6E	1	W	14x193	24 7 3/16		4748	

- NOTES:
- FOR GENERAL NOTES SEE SHEET GNI.
 - HOLES IN BOTH FLANGES ARE ALIKE.
 - △ "SHIP" MARKS INDICATED ON THIS SHEET ARE FOR THE FABRICATION PROCESS, DELEVERED COMPONENTS MAY BE PRE-ASSEMBLED AND MARKED DIFFERENTLY.

△	1/03/12	APPROVAL COMMENTS	EEO	PCP	AN	9 2011	
□					NOV	18 2011	
REV.	DATE	REMARKS	DWN	CHK	APVL	SHOP	
MATERIAL:	M270-50	SURFACE PREP. & PAINT:	HOT-DIP GALV.	HOLES:	15/16 Ø (UN)	SHOP BOLTS:	NONE
DESCRIPTION: TOP CHORDS (U3-U4, U7-U6, U4-U5, U6-U5)							
CASCO BAY STEEL STRUCTURES, INC. 1 WALLACE AVE. SOUTH PORTLAND, ME 04106 PHONE (207) 780-6722 FAX. (207) 780-6726							
STRUCTURE:	VT RTE 107 OVER WHITE RIVER	DRAWN:	EEO	DATE:	10/11		
		CHKD:	PCP	DATE:	11/11		
LOCATION:	BETHEL, VT.	JOB NO.	498	DWG NO.	13		
PROJ NO.	BRF 022-1(14)			REV.	△		
CUSTOMER:	BECK & BELLUCCI						

Vermont Agency of Transportation
RECEIVED
 CK'D BY M.C.L. OK'D BY S.S.S.
 January 10 2012
 RESUBMIT APPROVED ✓
 BY J. LACROIX DATE 01-12-2012