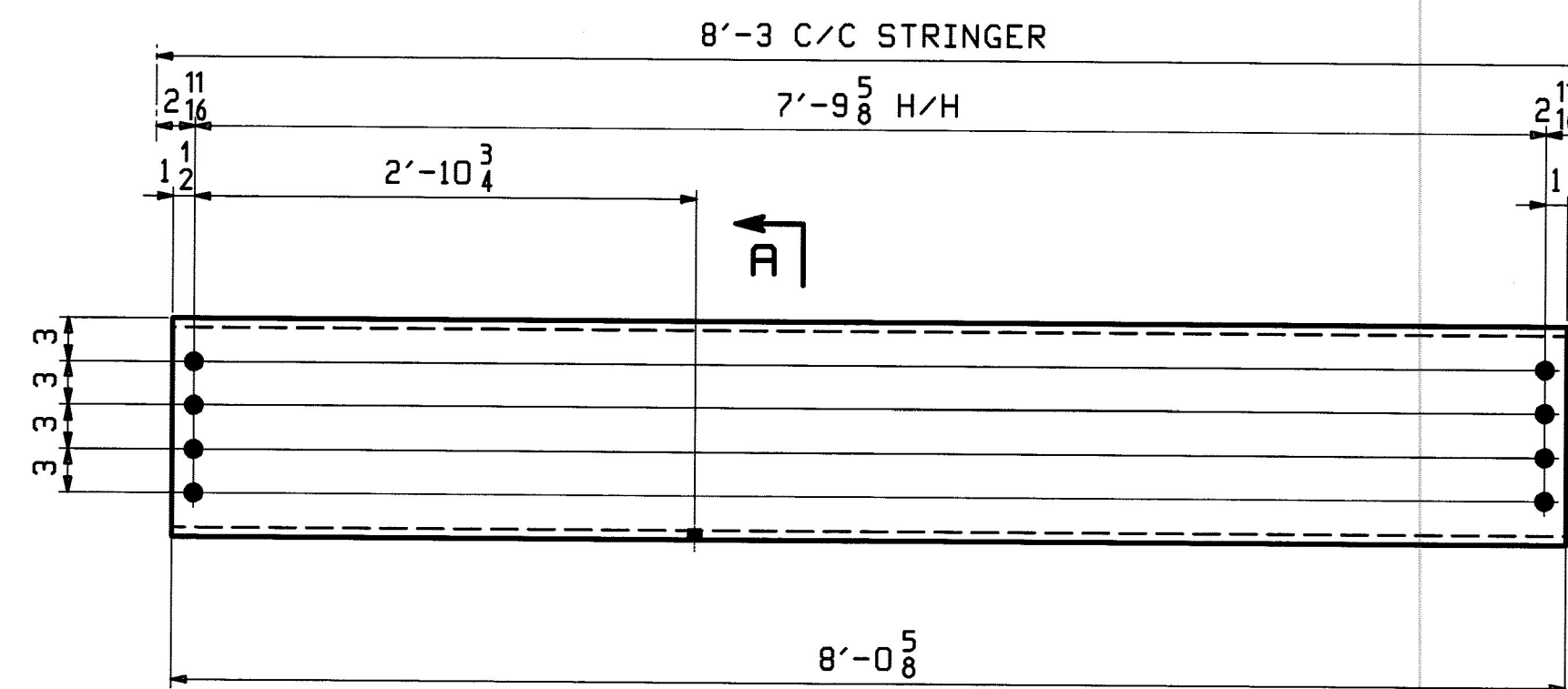
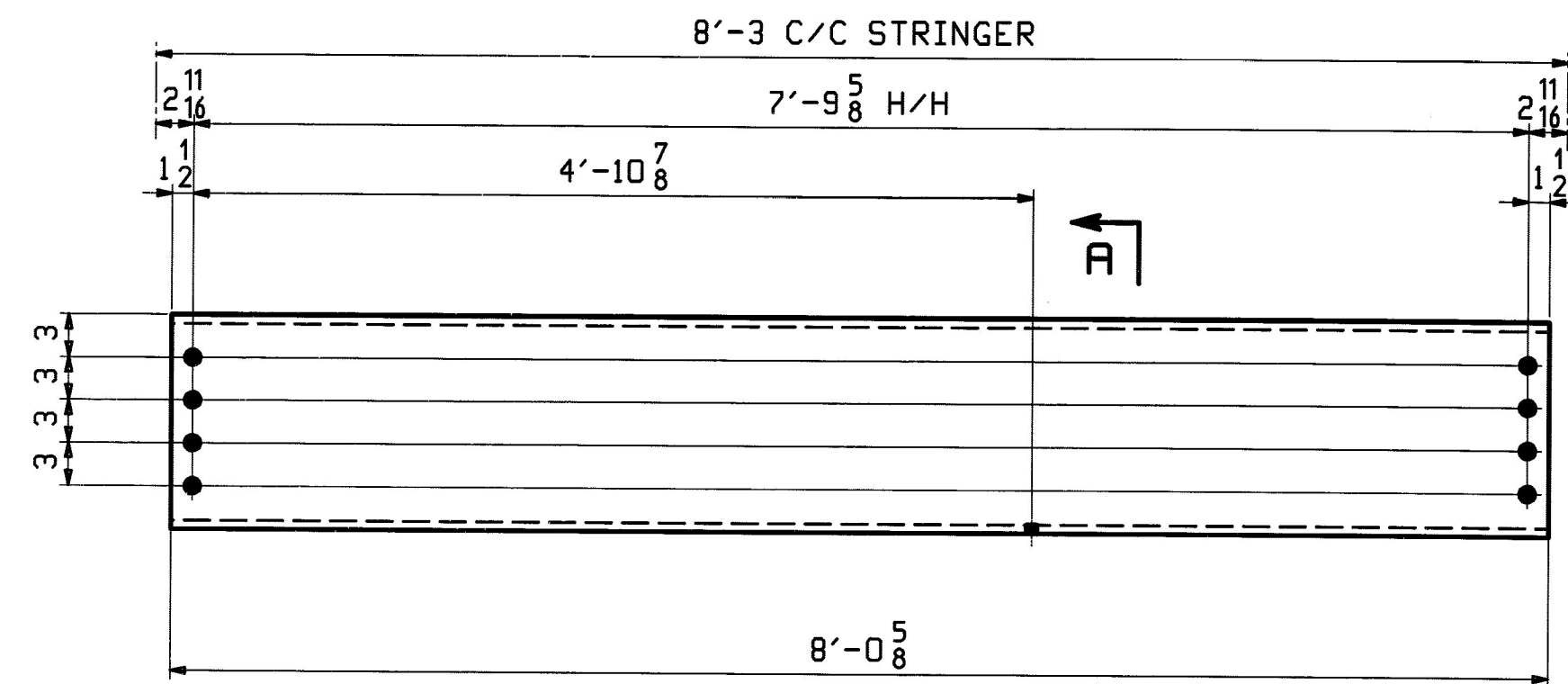


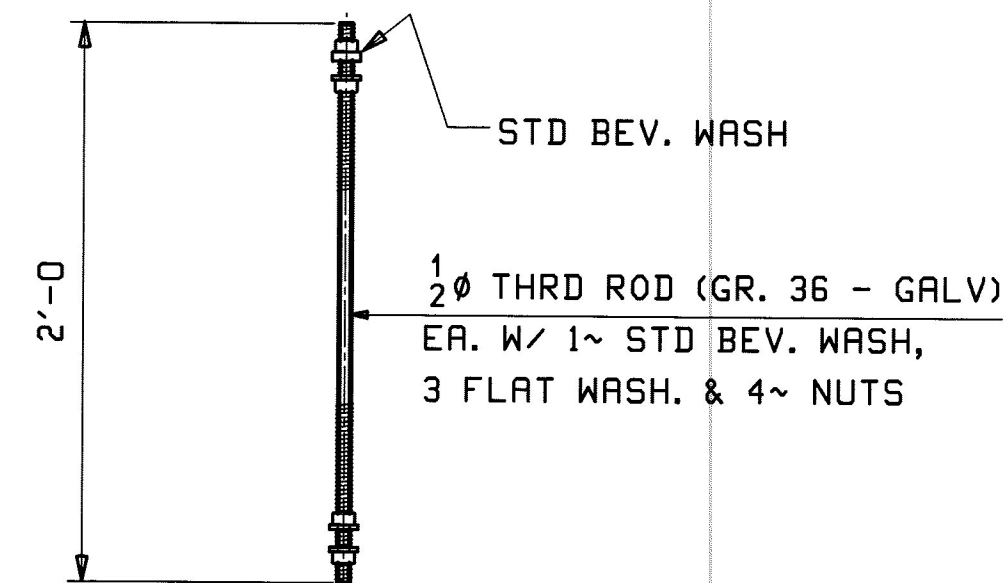
120 ~ DIAPHRAGMS ~ 9D1
(TYPICAL)



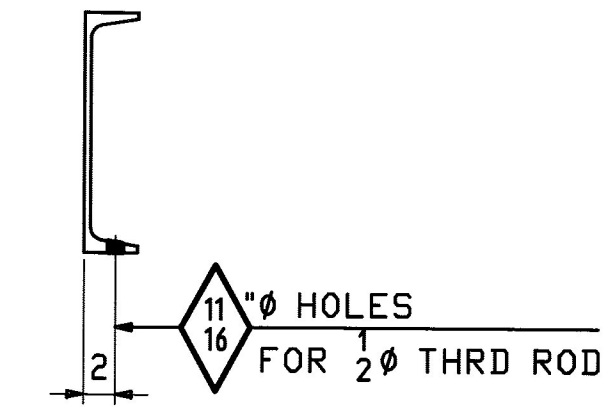
20 ~ DIAPHRAGMS ~ 9D2



20 ~ DIAPHRAGMS ~ 9D3



40 ~ HANGER RODS ~ 9HR1



SECT -A

ABM INFO		BILL OF MATERIAL				JOB NO.		DRAWING NO.		REV.
PAGE	LINE	MARK	QTY	MARK	MATERIAL	LENGTH	REMARKS	WT	PROCUREMENT	NOTES
						FT	INCHES			
									498	9
2	B	9D1	120	a9	DIAPHRAGMS				273	
					C 15x33.9	8	0 5/8			
		9D2	20		DIAPHRAGMS				273	
2	B		20	b9	C 15x33.9	8	0 5/8			
		9D3	20		DIAPHRAGMS				273	
2	B		20	c9	C 15x33.9	8	0 5/8			
		9HR1	40		HANGER RODS				2	
3	Y		40	d9	1/2 THRD ROD	2	0			(GALV X THREADED) F36
14	C		40		BEVEL WASH FOR 1/2 THRD ROD					MECH. GALV. (SQUARE BEV. WASHER) F438
14	D		120		1/2 THRD HSM					MECH. GALV. F438
14	E		160		1/2 THRD HSN					MECH. GALV. F563

- NOTES:
 1. FOR GENERAL NOTES SEE DWG. GNI.
 2. T2 DENOTES MATERIAL SUBJECT TO CHARPY V-NOTCH TESTING

REV.	DATE	REMARKS	DWN	CHK	APVL	SHOP
0						
MATERIAL:		SURFACE PREP. & PAINT:		HOLES:		SHOP BOLTS:
M270-50 (UN)		HOT-DIP GALV.		15/16 (UN)		7/8 (UN)
DESCRIPTION: DIAPHRAGMS & HANGER RODS						
CASCO BAY STEEL STRUCTURES, INC. 1 WALLACE AVE. PHONE (207) 780-6722 SOUTH PORTLAND, ME 04106 FAX. (207) 780-6726						
STRUCTURE: VT RTE 107 OVER WHITE RIVER				DRAWN: TJB		DATE: 10/17
				CHKD: PCP		DATE: 10/21
LOCATION: BETHEL, VT.				JOB NO. 498		DWG NO. 9
PROJ NO. BRF 022-1(14)						REV. 9
CUSTOMER: BECK & BELLUCCI						REV. 9

Vermont Agency of Transportation
RECEIVED

CK'D BY M.C.L. OK'D BY S.S.S.

January 10 2012

RESUBMIT APPROVED
 BY J. LACROIX DATE 01-12-2012