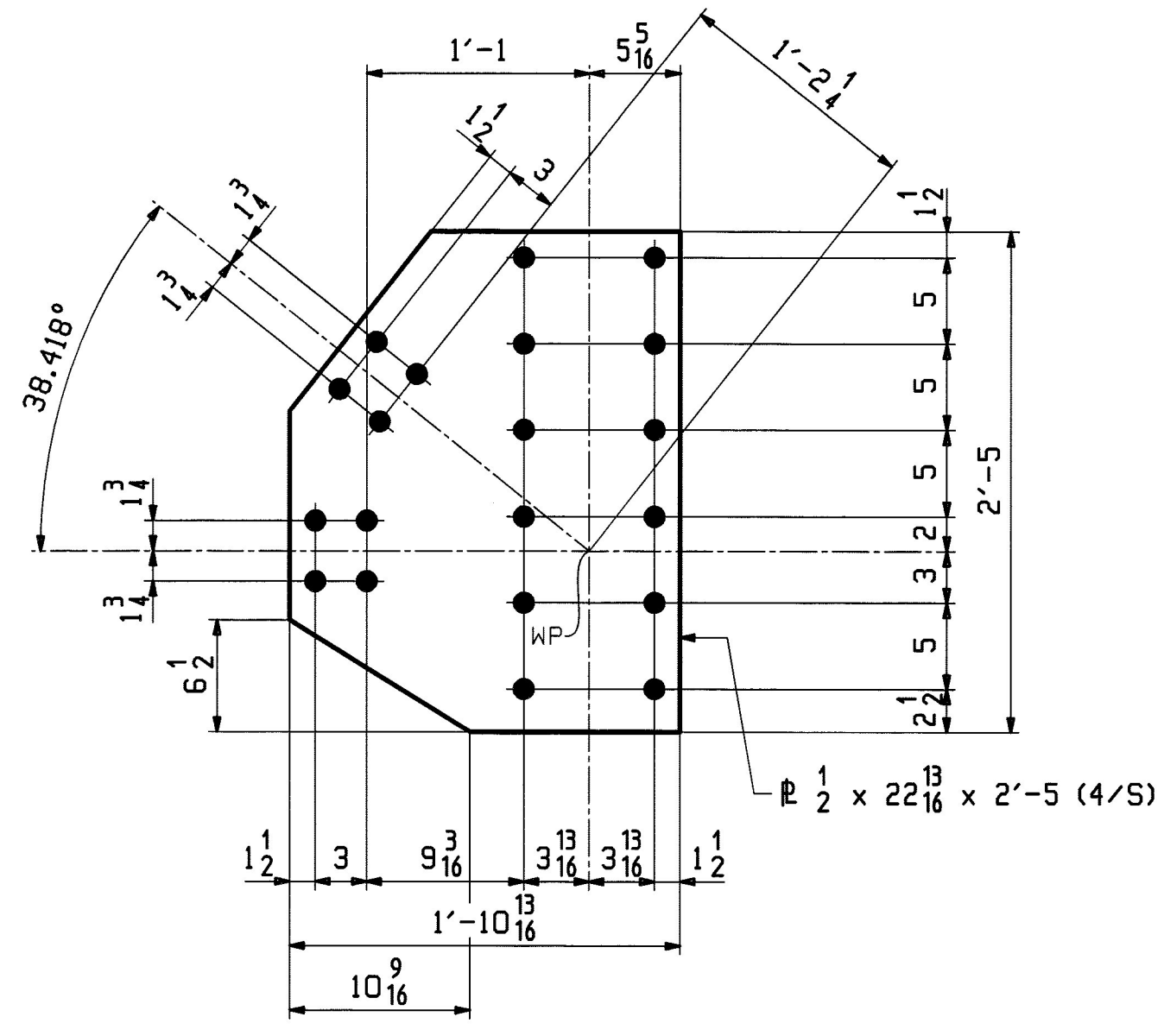
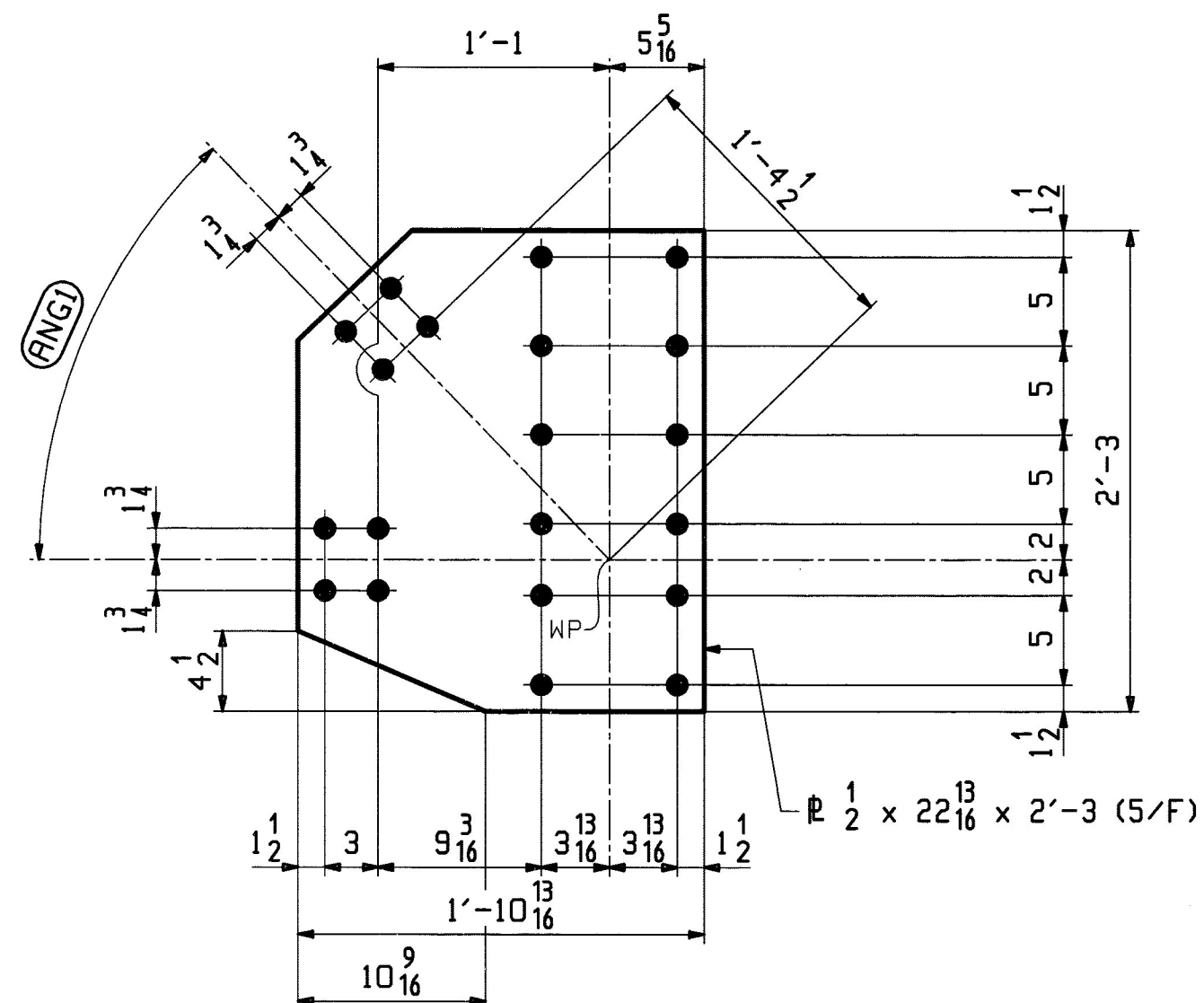


**4 ~ GUSSET PLATE ~ x14a**  
 SWAY FRAME MID GUSSET @ M2 & M8  
**56 ~ FILL PLATE ~ x14b**

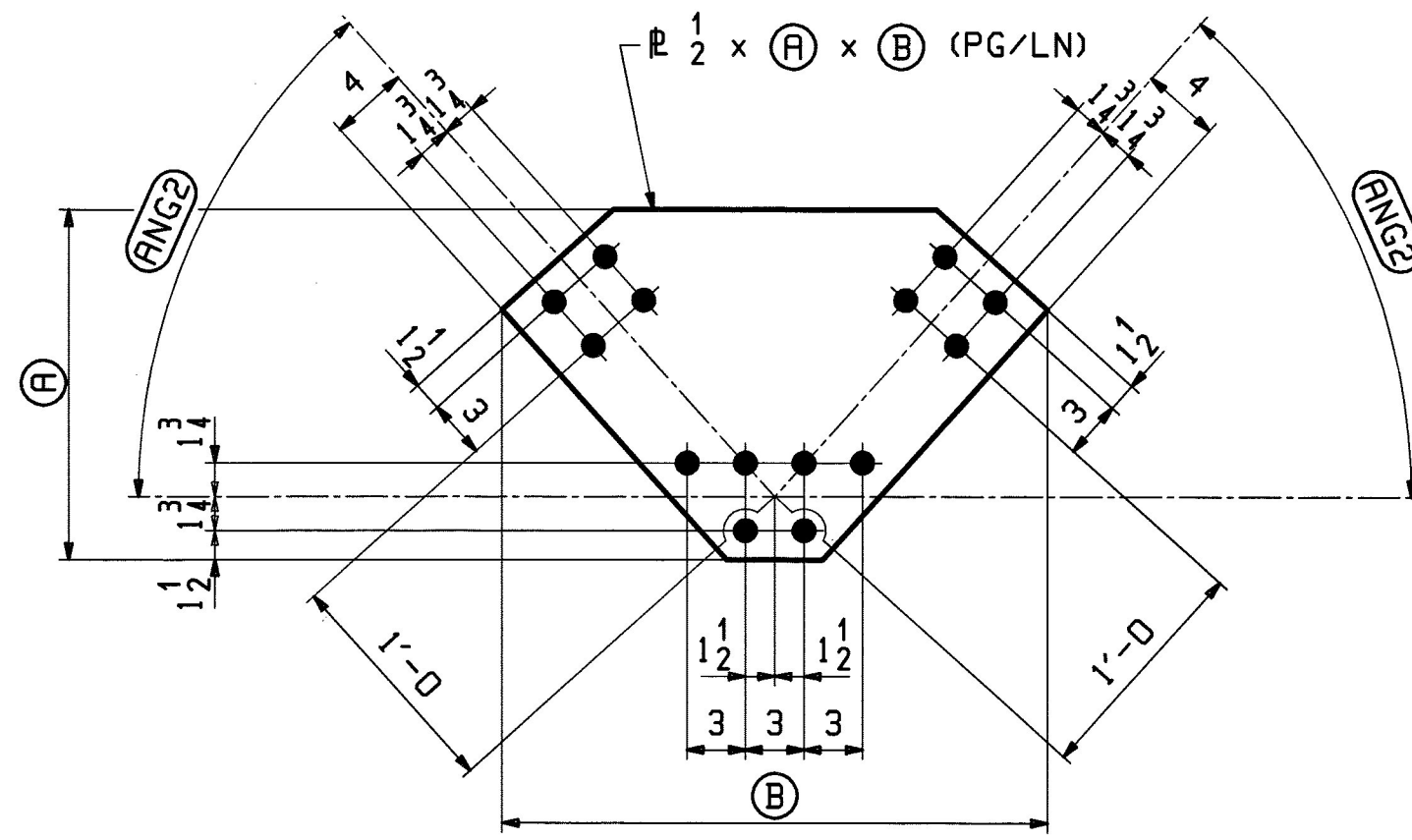


**4 ~ GUSSET PLATE ~ x14d**  
 SWAY FRAME MID GUSSET @ M2 & M8



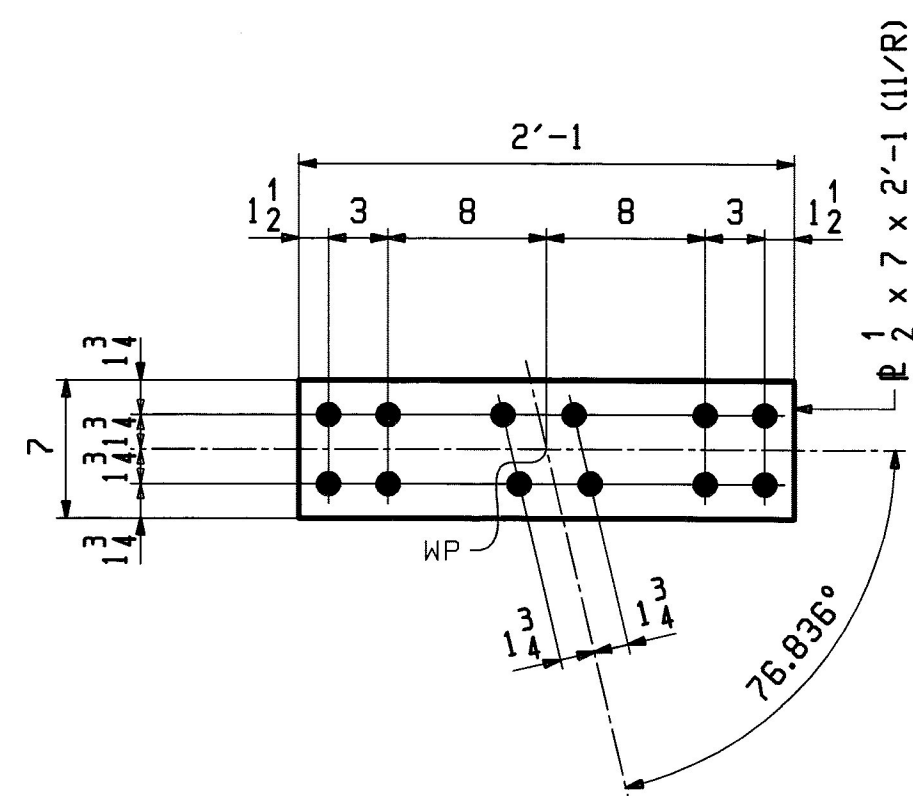
**GUSSET PLATE**  
 SWAY FRAME MID GUSSETS

MARK	QTY	(ANG)
x14m	8	45.971°
x14n	12	48.037°

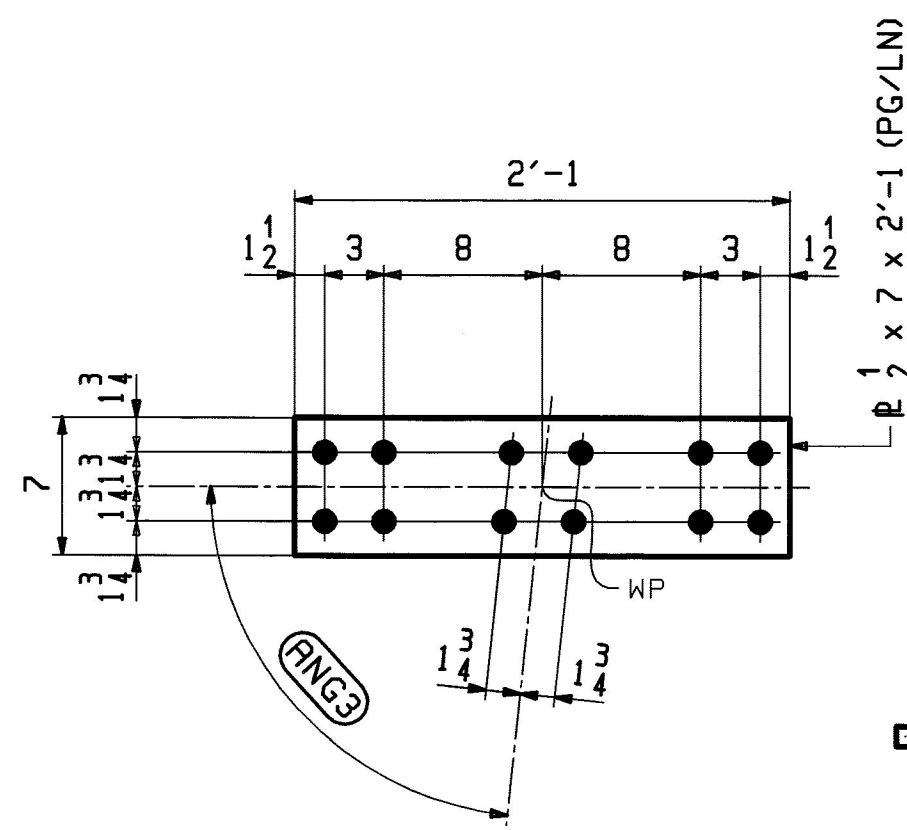


**GUSSET PLATE**  
 CENTER SWAY FRAME GUSSETS @ BOTTOM

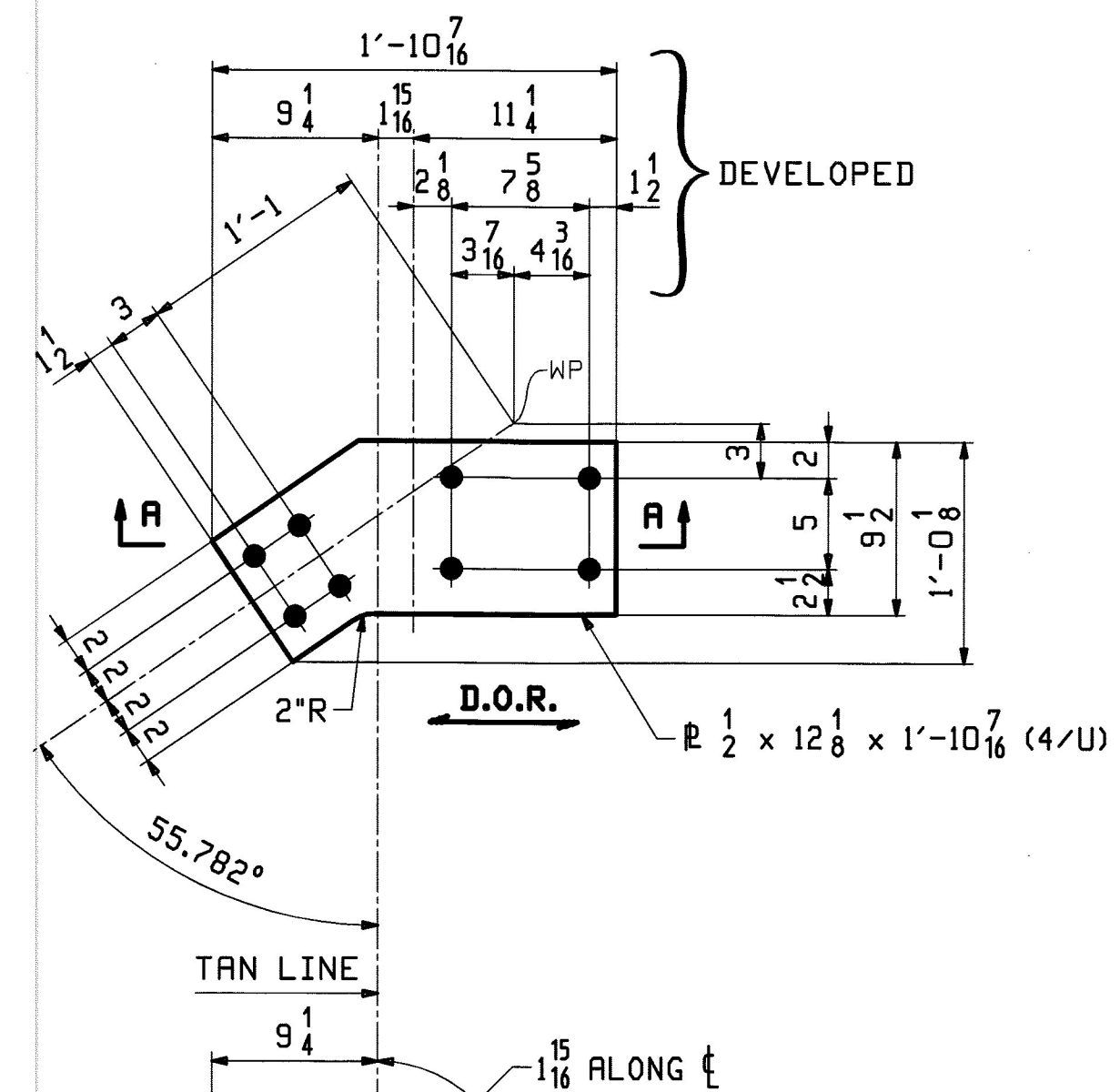
MARK	QTY	(A)	(B)	(ANG2)	PG/LN
x14p	4	1'-4 1/2	2'-6 7/8	38.418°	11/N
x14s	4	1'-6	2'-4 3/4	45.971°	12/C
x14t	6	1'-6	2'-4	48.037°	12/Q 13/C



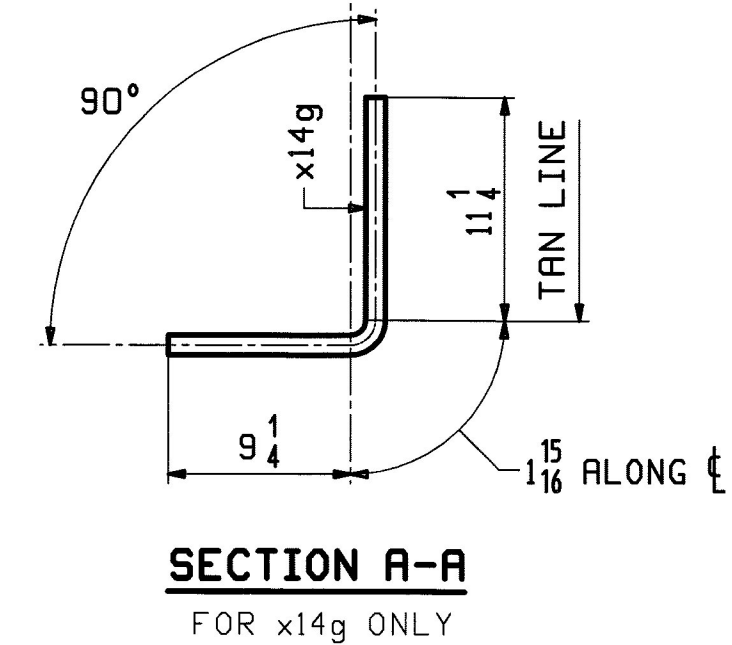
**8 ~ GUSSET PLATE ~ x14v**  
 SWAY FRAME GUSSET @ DIAGONAL (V2 & V8)



**GUSSET PLATE**  
 SWAY FRAME GUSSET @ DIAGONALS



**SECTION A-A**  
 FOR x14f ONLY

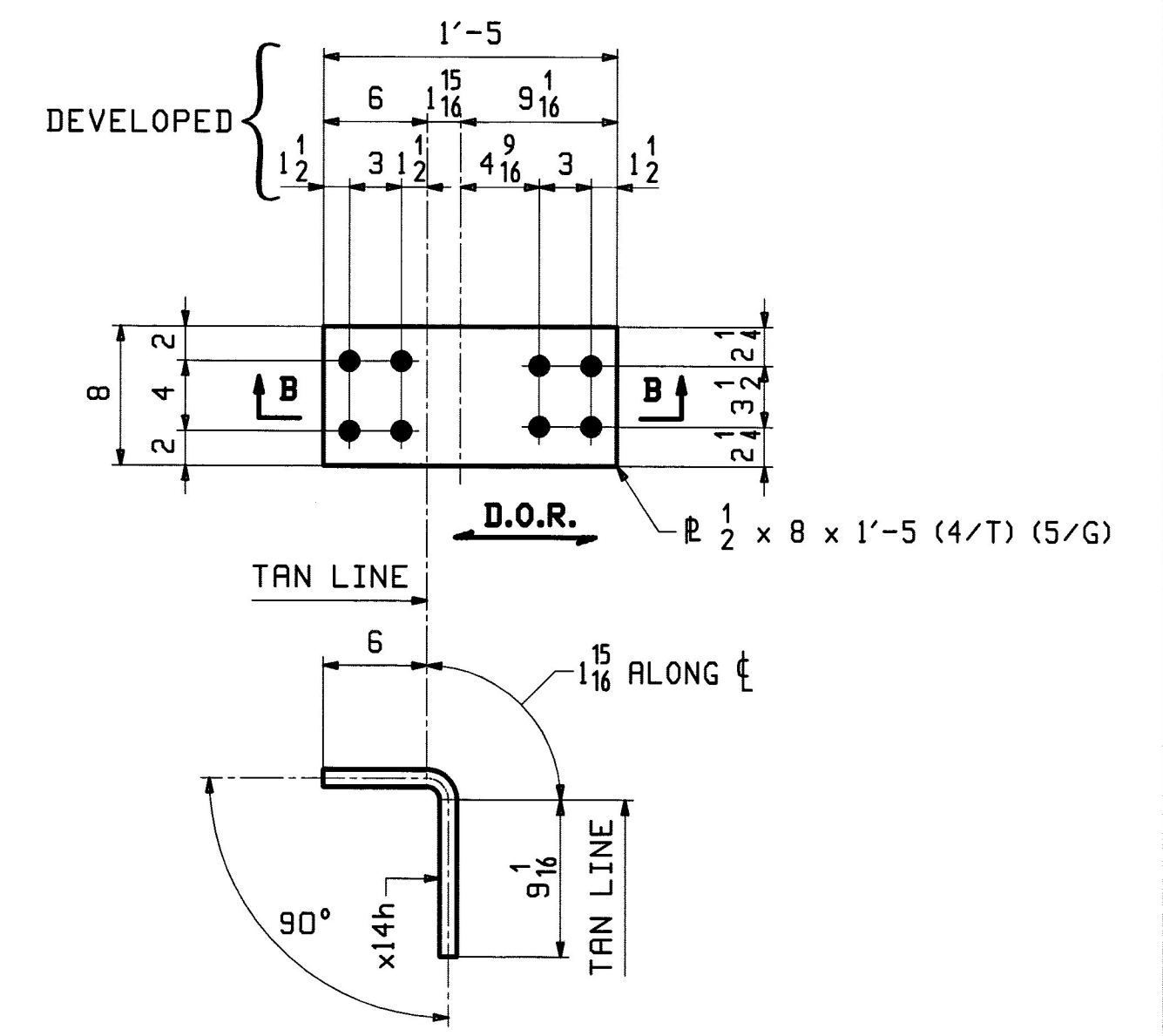


**SECTION A-A**  
 FOR x14g ONLY

**2 ~ GUSSET PLATE ~ x14f**  
 MID CHORD CONNECTION TO VERTICAL  
 INTERIOR GUSSET @ M2 & M8

**2 ~ GUSSET PLATE ~ x14g**  
 MID CHORD CONNECTION TO VERTICAL  
 INTERIOR GUSSET @ M2 & M8

MARK	QTY	(ANG3)	PG/LN
x14w	8	88.058°	12/F
x14y	12	83.926°	12/T 13/F



**SECTION B-B**

**24 ~ GUSSET PLATE ~ x14h**  
 MID CHORD CONNECTION TO VERTICAL  
 INTERIOR GUSSET @ M2 - M8

Vermont Agency of Transportation  
**RECEIVED**  
 CK'D BY M.C.L. OK'D BY S.S.S.  
 January 10 2012  
 RESUBMIT APPROVED ✓  
 BY J. LACROIX DATE 01-12-2012

- NOTES:  
 1. FOR GENERAL NOTES SEE SHEET GNI.  
 2. **D.O.R.** - DENOTES DIRECTION OF ROLLING.

REV.	DATE	REMARKS	DWN	CHK	APVL	SHOP
0						
MATERIAL: M270-50 (UN) SURFACE PREP. & PAINT: HOT-DIP GALV. HOLES: 15/16 Ø (UN) SHOP BOLTS: NONE						
DESCRIPTION: SWAY FRAME STANDARDS						
CASCO BAY STEEL STRUCTURES, INC. 1 WALLACE AVE. PHONE (207) 780-6722 SOUTH PORTLAND, ME 04106 FAX. (207) 780-6726						
STRUCTURE: VT RTE 107 OVER WHITE RIVER					DRAWN: EEO	DATE: 10/25
					CHKD: PCP	DATE: 10/28
LOCATION: BETHEL, VT.					JOB NO. 498	DWG NO. X14
PROJ NO. BRF 022-1(14)						
CUSTOMER: BECK & BELLUCCI						REV. △