

3 ~ GUSSET PLATE ~ x13a

TOP CORNER SWAY GUSSET @ U4 & U5 (WEST TRUSS) & U6 (EAST TRUSS)

3 ~ GUSSET PLATE ~ x13b

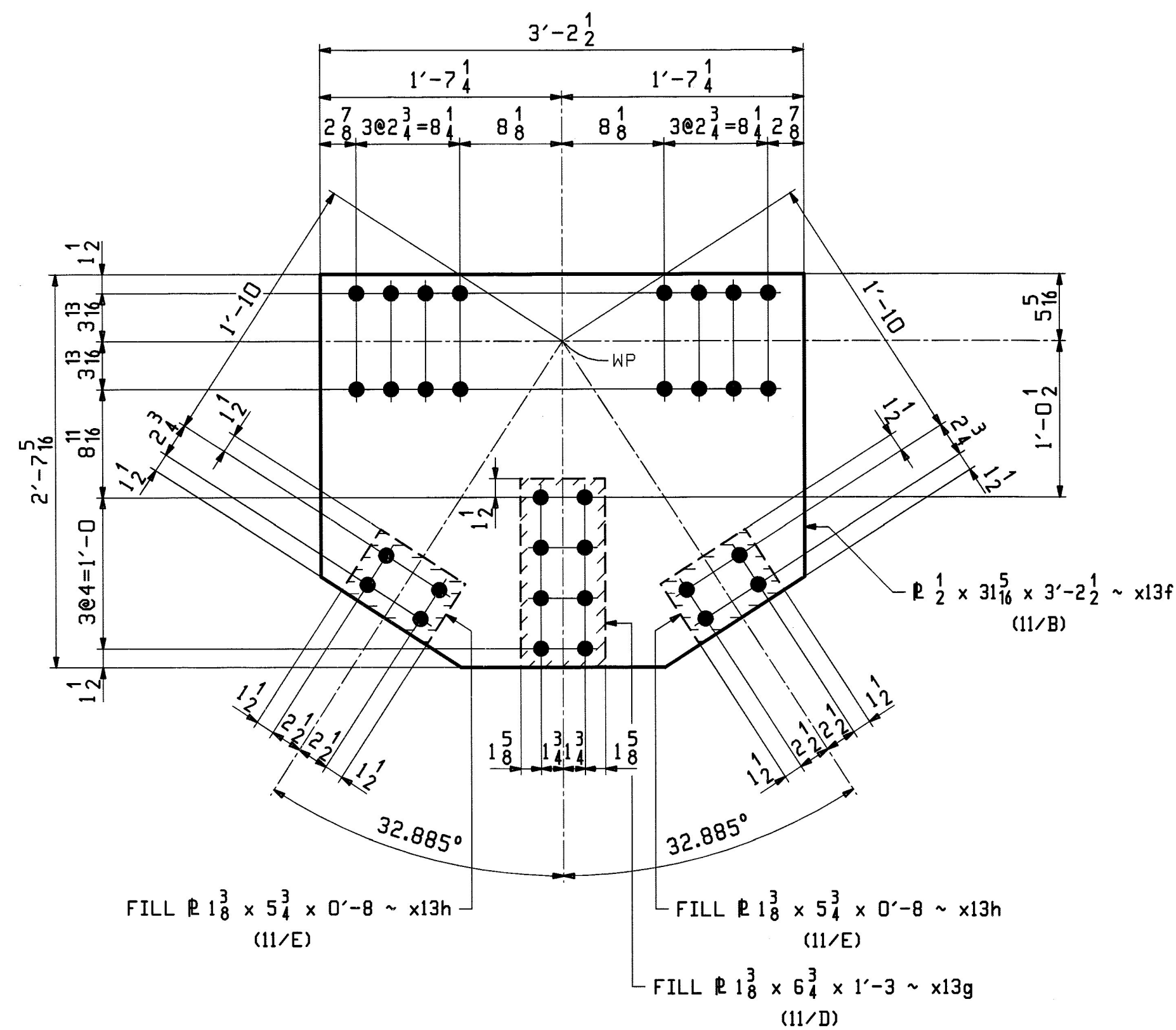
TOP CORNER SWAY GUSSET @ U4 & U5 (EAST TRUSS) & U6 (WEST TRUSS)

3 ~ GUSSET PLATE ~ x13c

TOP CORNER SWAY GUSSET @ U4 & U5 (WEST TRUSS) & U6 (EAST TRUSS)

3 ~ GUSSET PLATE ~ x13d

TOP CORNER SWAY GUSSET @ U4 & U5 (EAST TRUSS) & U6 (WEST TRUSS)

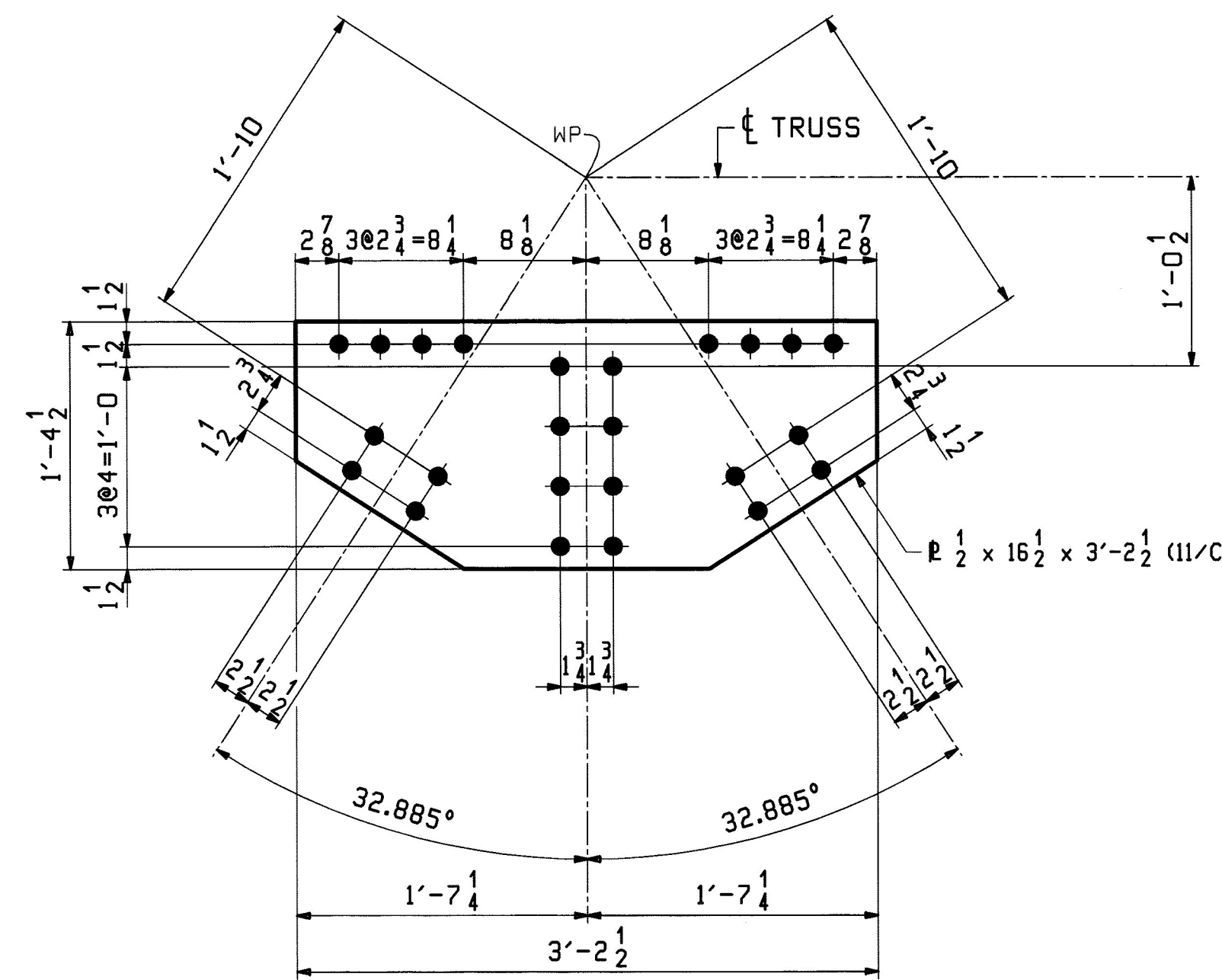


2 ~ GUSSET PLATE ~ x13f

TOP GUSSET @ U5 (EAST TRUSS & WEST TRUSS)

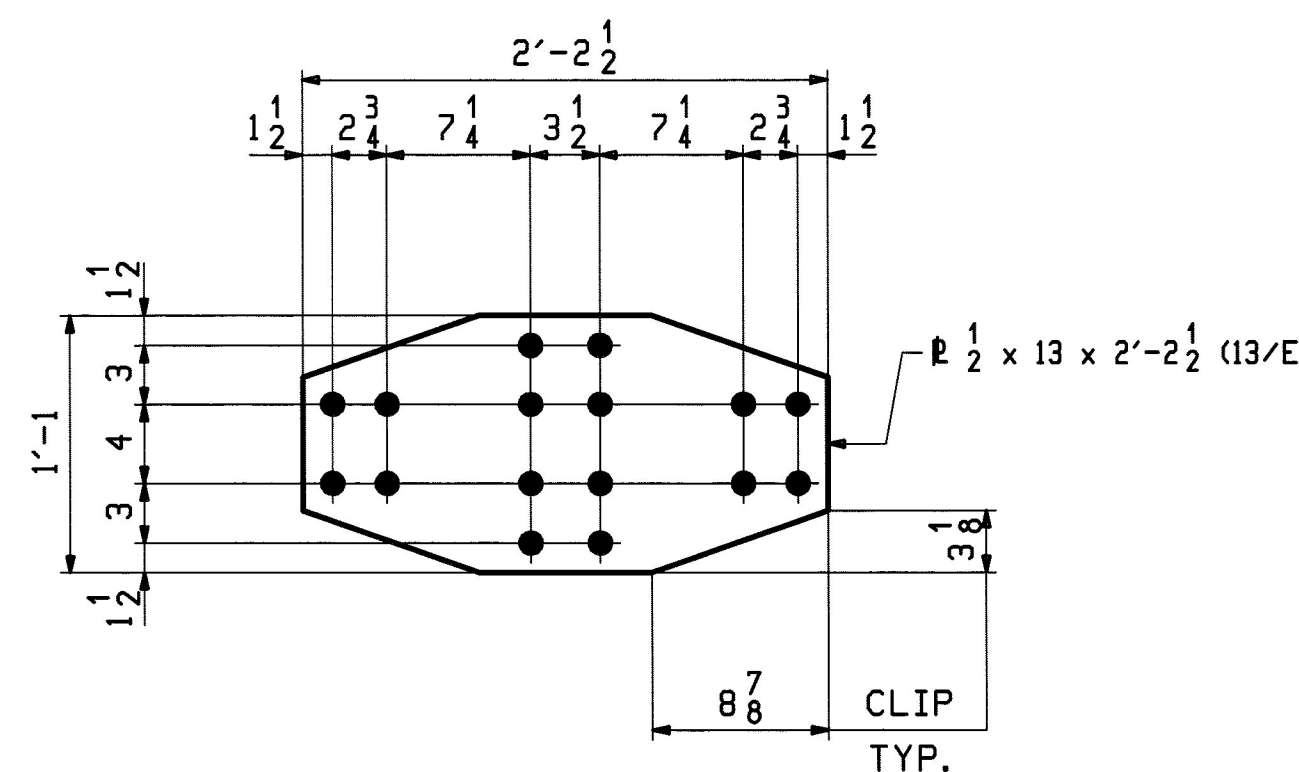
2 ~ FILL PLATE ~ x13g

4 ~ FILL PLATE ~ x13h



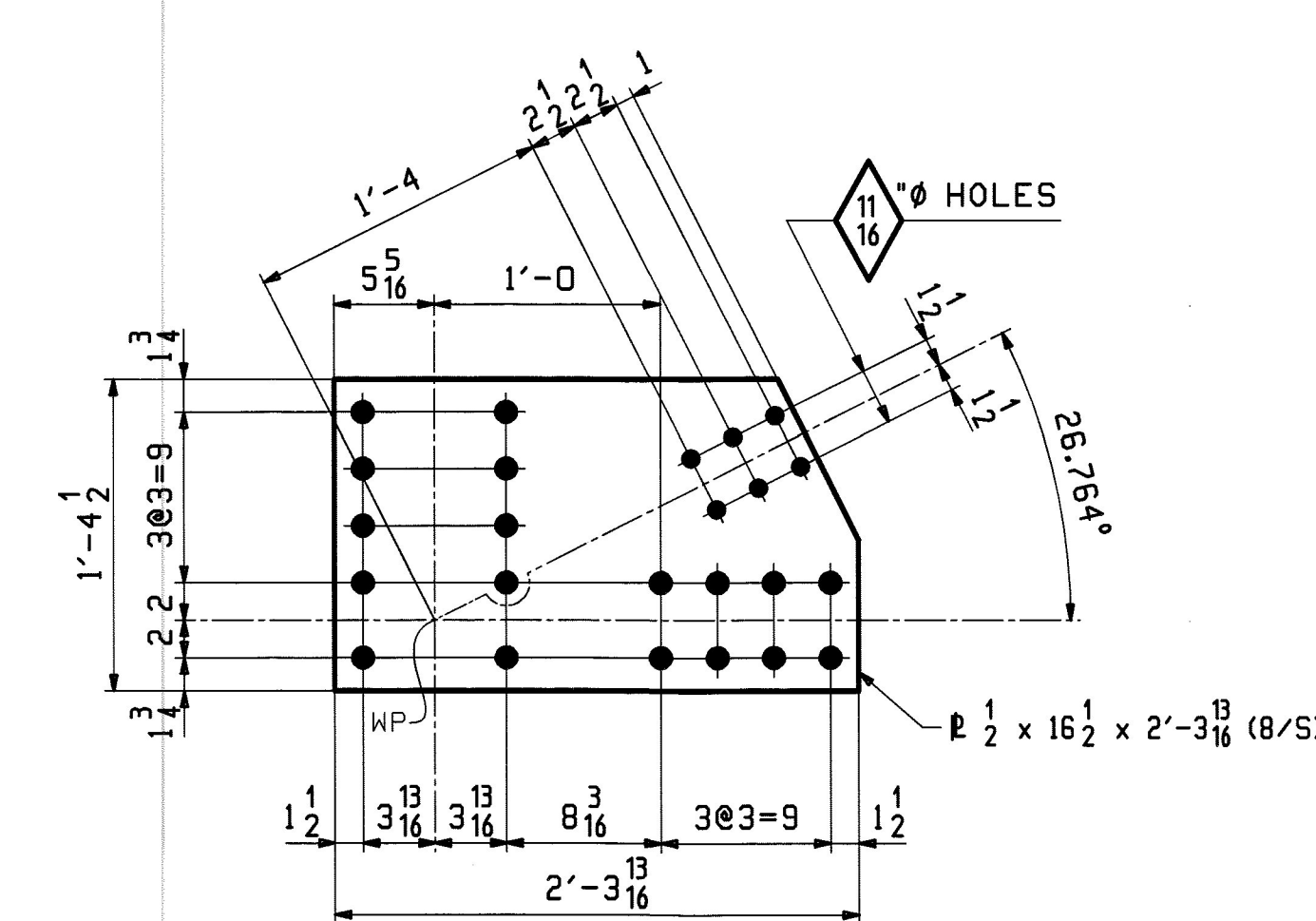
2 ~ GUSSET PLATE ~ x13k

BTM GUSSET @ U5 (EAST TRUSS & WEST TRUSS)



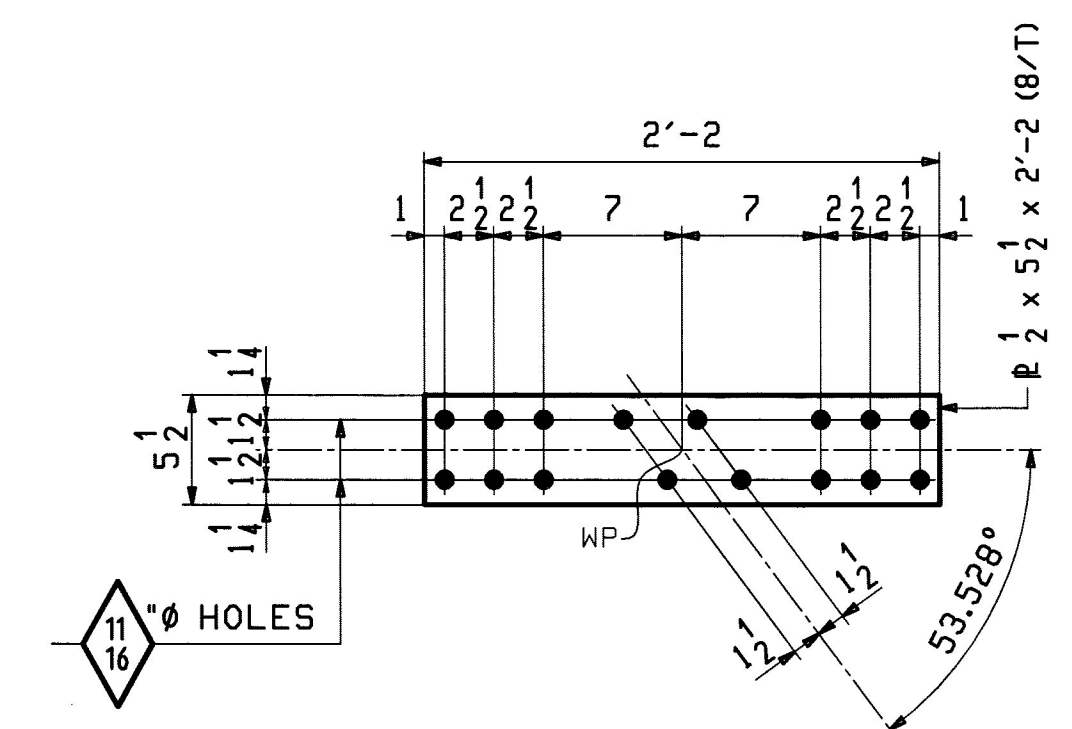
2 ~ GUSSET PLATE ~ x13m

TOP GUSSET @ LONG STRUT (U5)



8 ~ GUSSET PLATE ~ x13n

BTM CORNER GUSSET @ END PORTAL (EAST TRUSS & WEST TRUSS)



12 ~ GUSSET PLATE ~ x13p

END PORTAL DIAGONAL TIE PLATE

Vermont Agency of Transportation
RECEIVED

CK'D BY M.C.L. OK'D BY S.S.S.

January 10 2012

RESUBMIT APPROVED
BY J. LACROIX DATE 01-12-2012

NOTES:

- FOR GENERAL NOTES SEE SHEET GNI.
- D.O.R.** - DENOTES DIRECTION OF ROLLING.

REV. DATE		REMARKS		DWN	CHK	APVL	SHOP
0							
MATERIAL:		SURFACE PREP. & PAINT:		HOLES:		SHOP BOLTS:	
M270-50 (UN)		HOT-DIP GALV.		15/16" (UN)		7/8" (UN)	
DESCRIPTION: TOP STRUT & PORTAL STANDARDS							
CASCO BAY STEEL STRUCTURES, INC.							
1 WALLACE AVE.				PHONE (207) 780-6722			
SOUTH PORTLAND, ME 04106				FAX. (207) 780-6726			
STRUCTURE: VT RTE 107 OVER WHITE RIVER		DRAWN: EEO		DATE: 10/23			
		CHKD: PCP		DATE: 10/26			
LOCATION: BETHEL, VT.		JOB NO. 498		DWG NO. X13			
PROJ NO. BRP 022-1(14)							
CUSTOMER: BECK & BELLUCCI							