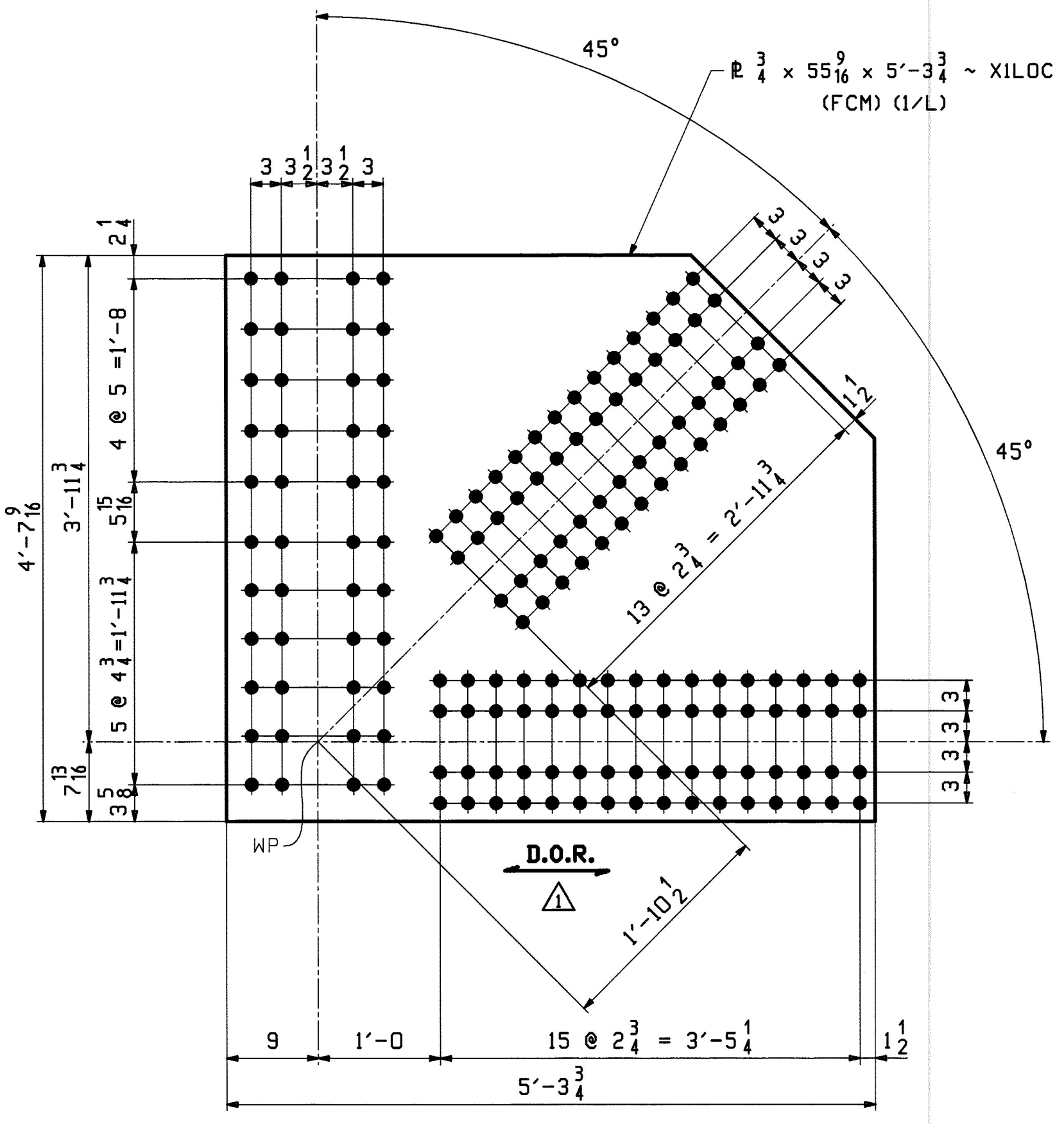
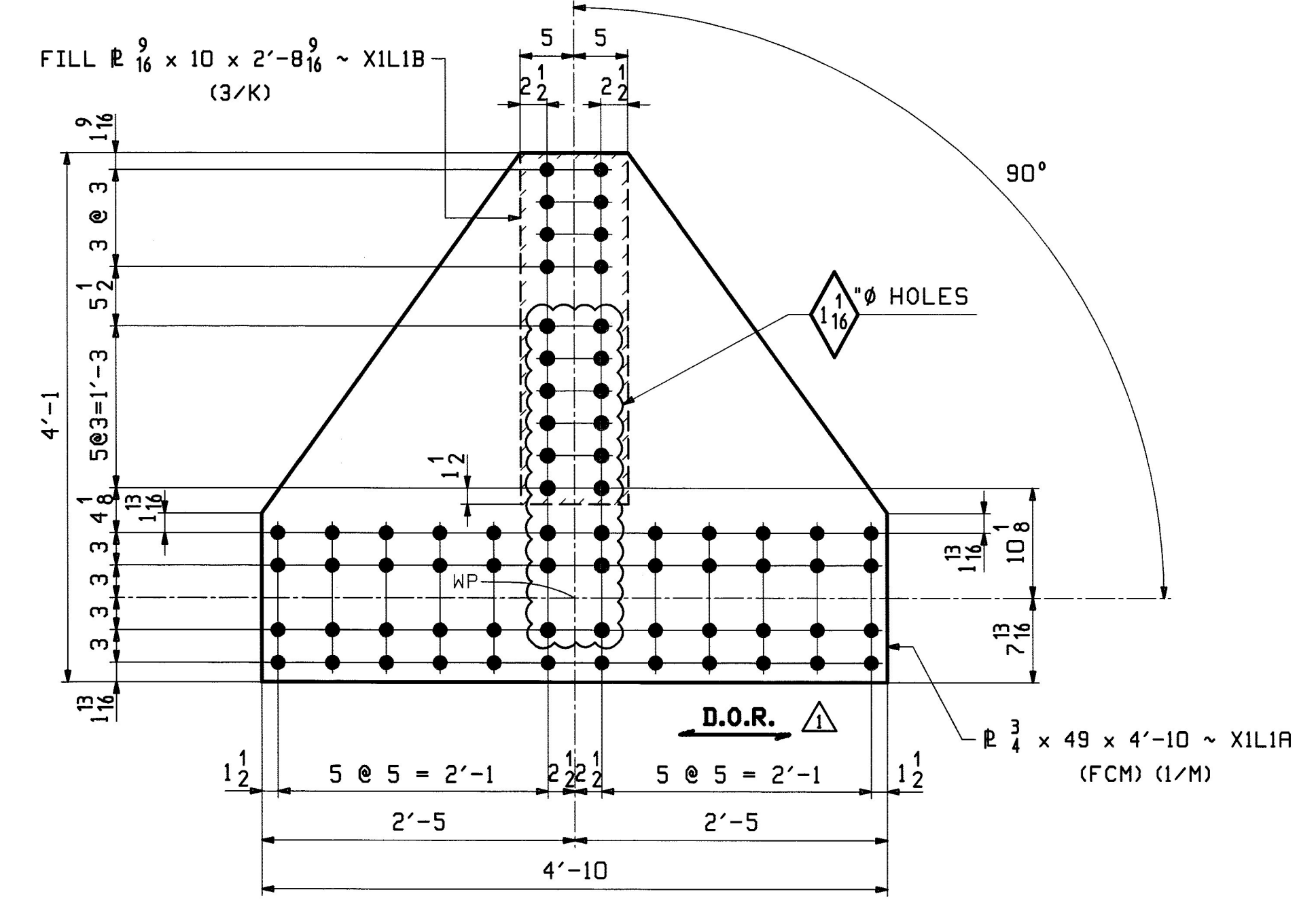


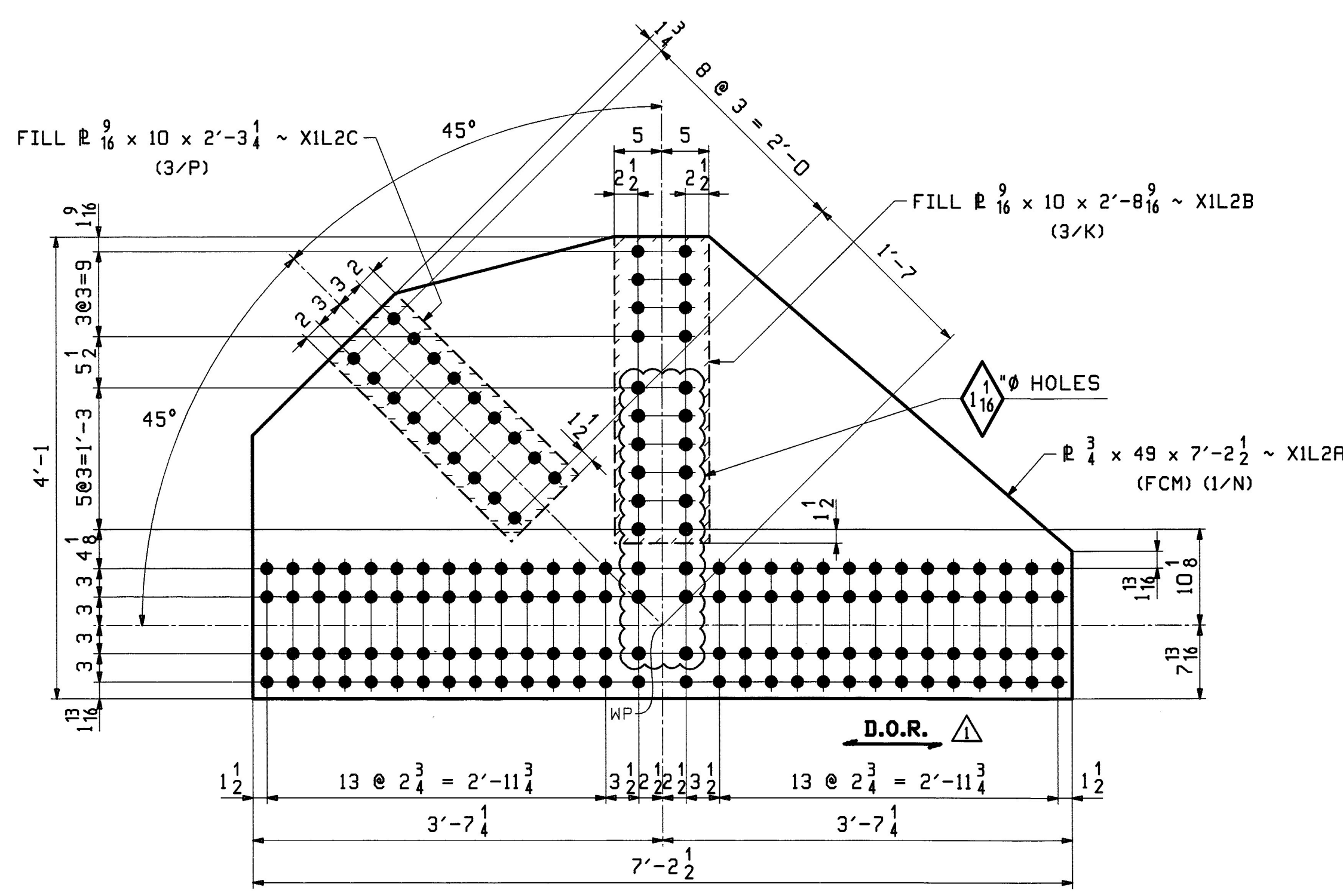
**4 ~ GUSSET PLATE ~ XILOA**  
 INTERIOR GUSSET @ L0 & L10  
**8 ~ FILL PLATE ~ XILOB**



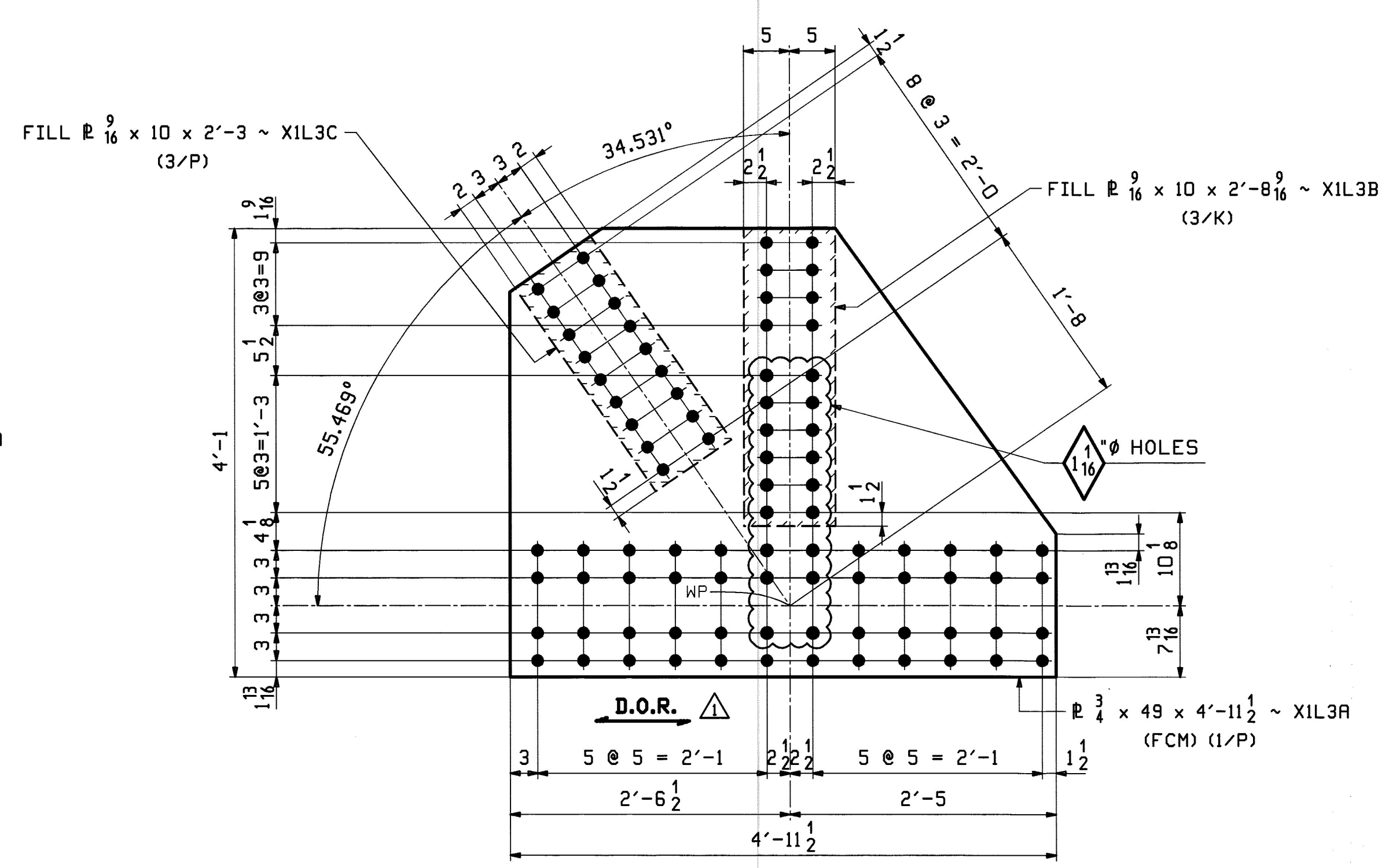
**4 ~ GUSSET PLATE ~ XILOC**  
 EXTERIOR GUSSET @ L0 & L10



**8 ~ GUSSET PLATE ~ XIL1A**  
 INTERIOR & EXTERIOR GUSSET @ L1 & L9  
**8 ~ FILL PLATE ~ XIL1B**



**8 ~ GUSSET PLATE ~ XIL2A**  
 INTERIOR & EXTERIOR GUSSET @ L2 & L8  
**8 ~ FILL PLATE ~ XIL2B**  
**8 ~ FILL PLATE ~ XIL2C**



**8 ~ GUSSET PLATE ~ XIL3A**  
 INTERIOR & EXTERIOR GUSSET @ L3 & L7  
**8 ~ FILL PLATE ~ XIL3B**  
**8 ~ FILL PLATE ~ XIL3C**

Vermont Agency of Transportation  
**RECEIVED**  
 CK'D BY M.C.L. OK'D BY S.S.S.  
 January 10 2012  
 RESUBMIT APPROVED ✓  
 BY J. LACROIX DATE 01-12-2012

- NOTES:  
 1. FOR GENERAL NOTES SEE SHEET GNI.  
 2. FCM - DENOTES FRACTURE CRITICAL MATERIAL.  
 3. **D.O.R.** - DENOTES DIRECTION OF ROLLING.

12/1/11	ADD D.O.R.	EEO	PCP	JAN 9 2012	DEC 2 2011	
0				NOV 18 2011		
REV.	DATE	REMARKS	DWN	CHK	APVL	SHOP
		MATERIAL: M270-50 (UN)				SHOP BOLTS: NONE
		SURFACE PREP. & PAINT: HOT-DIP GALV.				
		HOLES: 15/16" (UN)				
DESCRIPTION: TRUSS STANDARDS						
CASCO BAY STEEL STRUCTURES, INC.						
1 WALLACE AVE.			PHONE (207) 780-6722		TENSOR 3073	
SOUTH PORTLAND, ME 04106			FAX. (207) 780-6726			
STRUCTURE: VT RTE 107 OVER WHITE RIVER			DRAWN:	DATE:		
			EEO	10/03		
			CHKD:	DATE:		
			PCP	10/08		
LOCATION: BETHEL, VT.			JOB NO.		DWG NO.	
PROJ NO. BRP 022-1(14)			498		X1	
CUSTOMER: BECK & BELLUCCI					REV. Δ	

EEO This Doc. Is. 2011 02/02/2012 PM 4:04:47 PM 2012/01/11 Rev.1