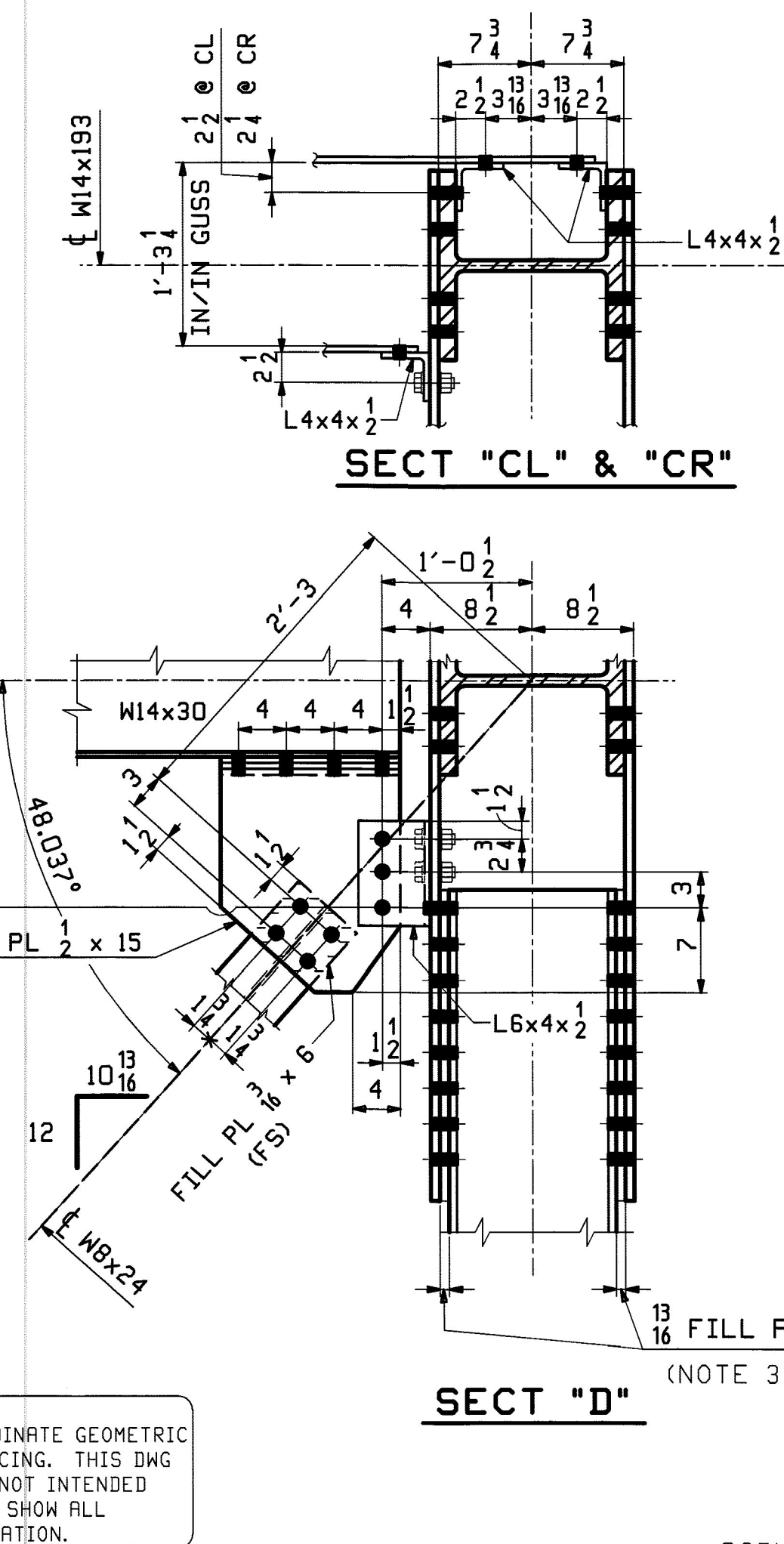
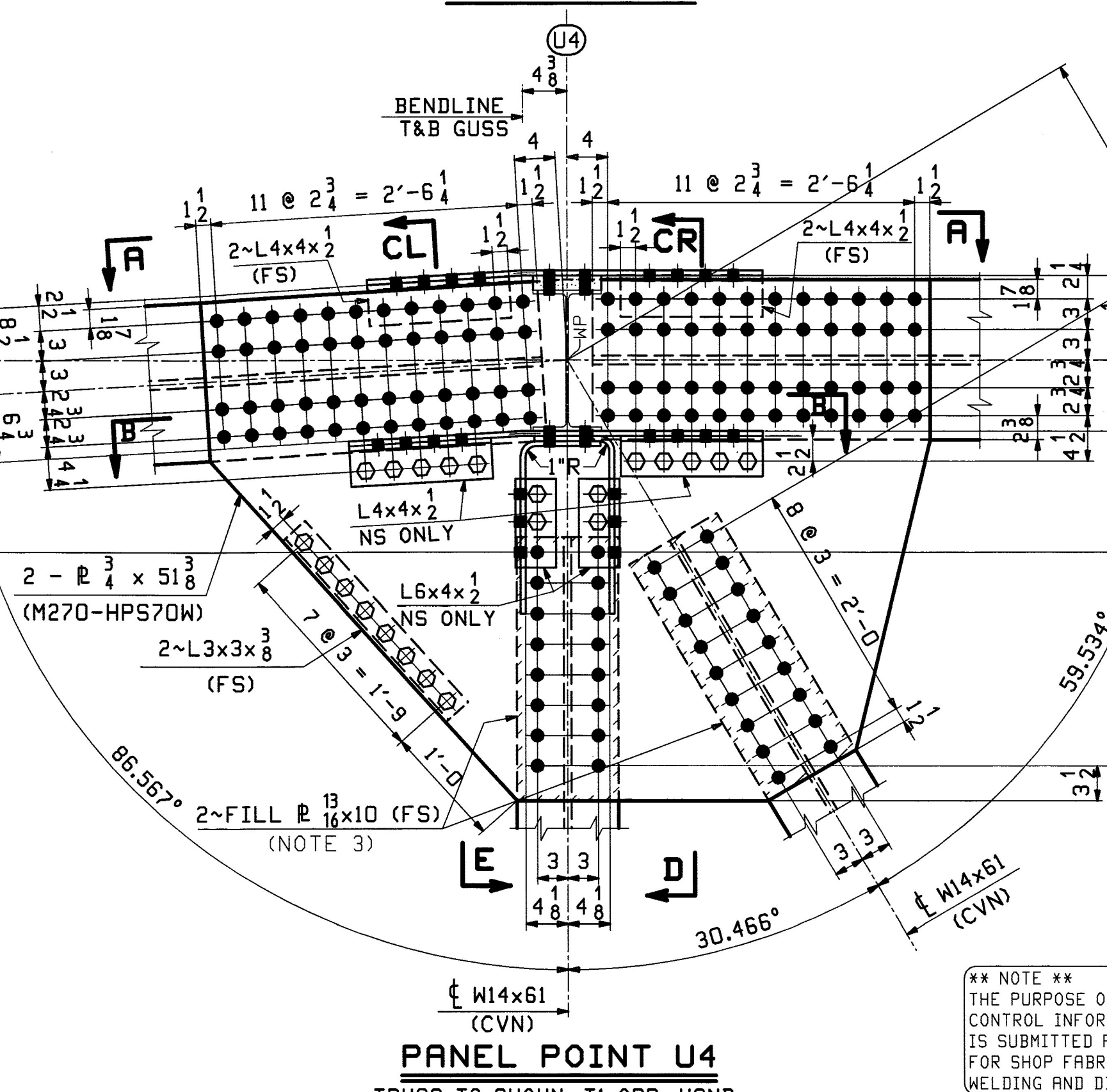
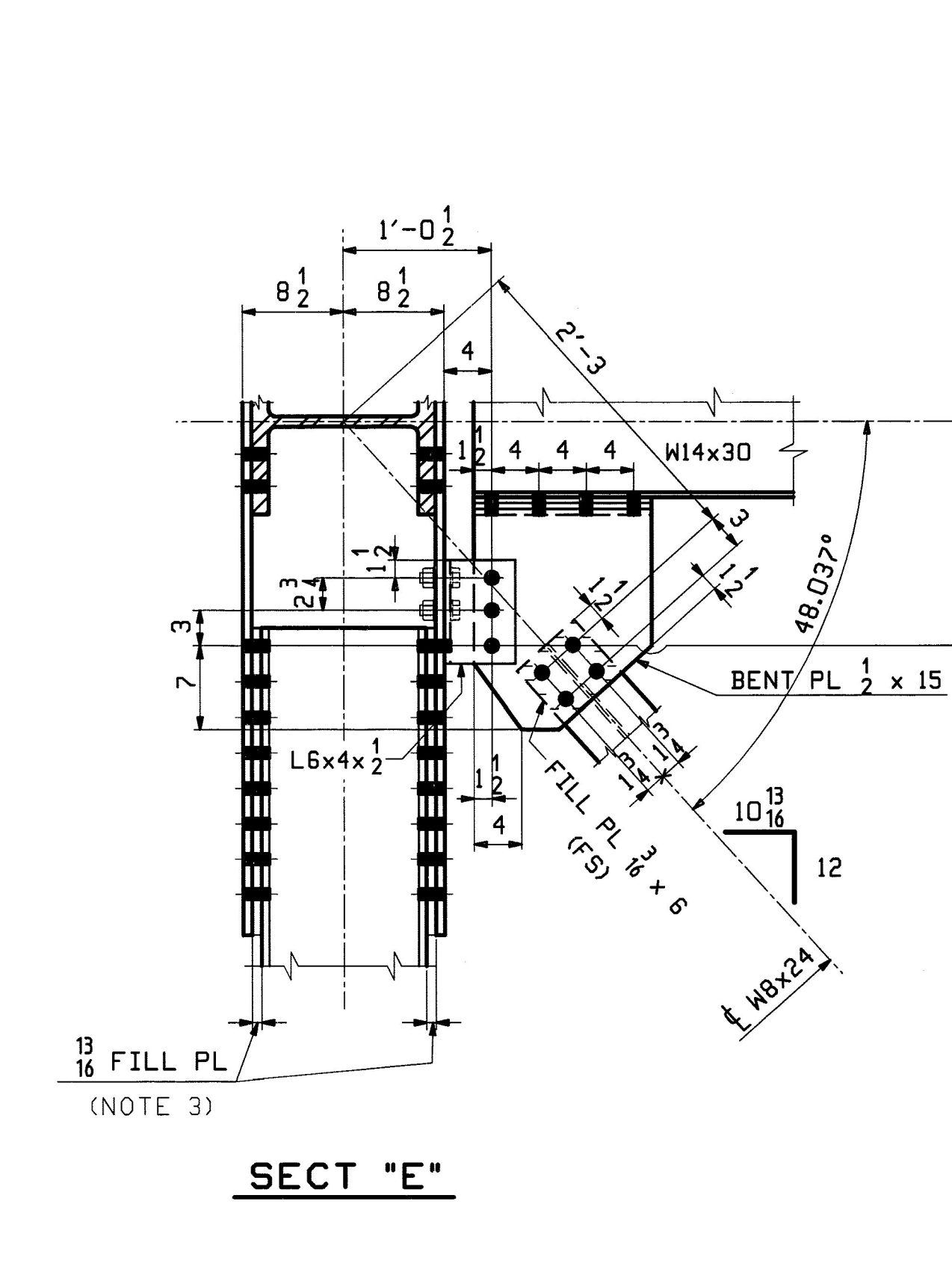
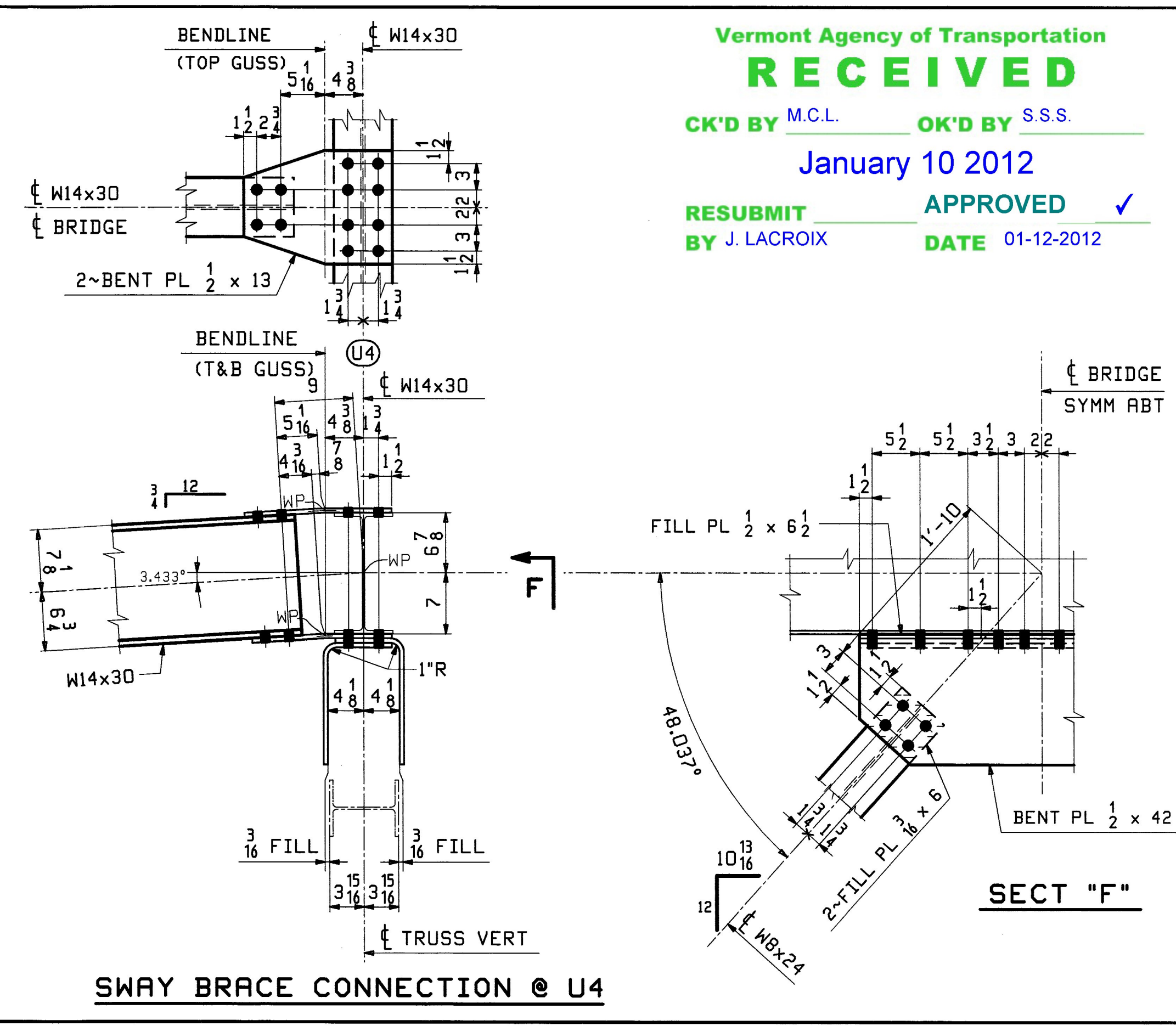
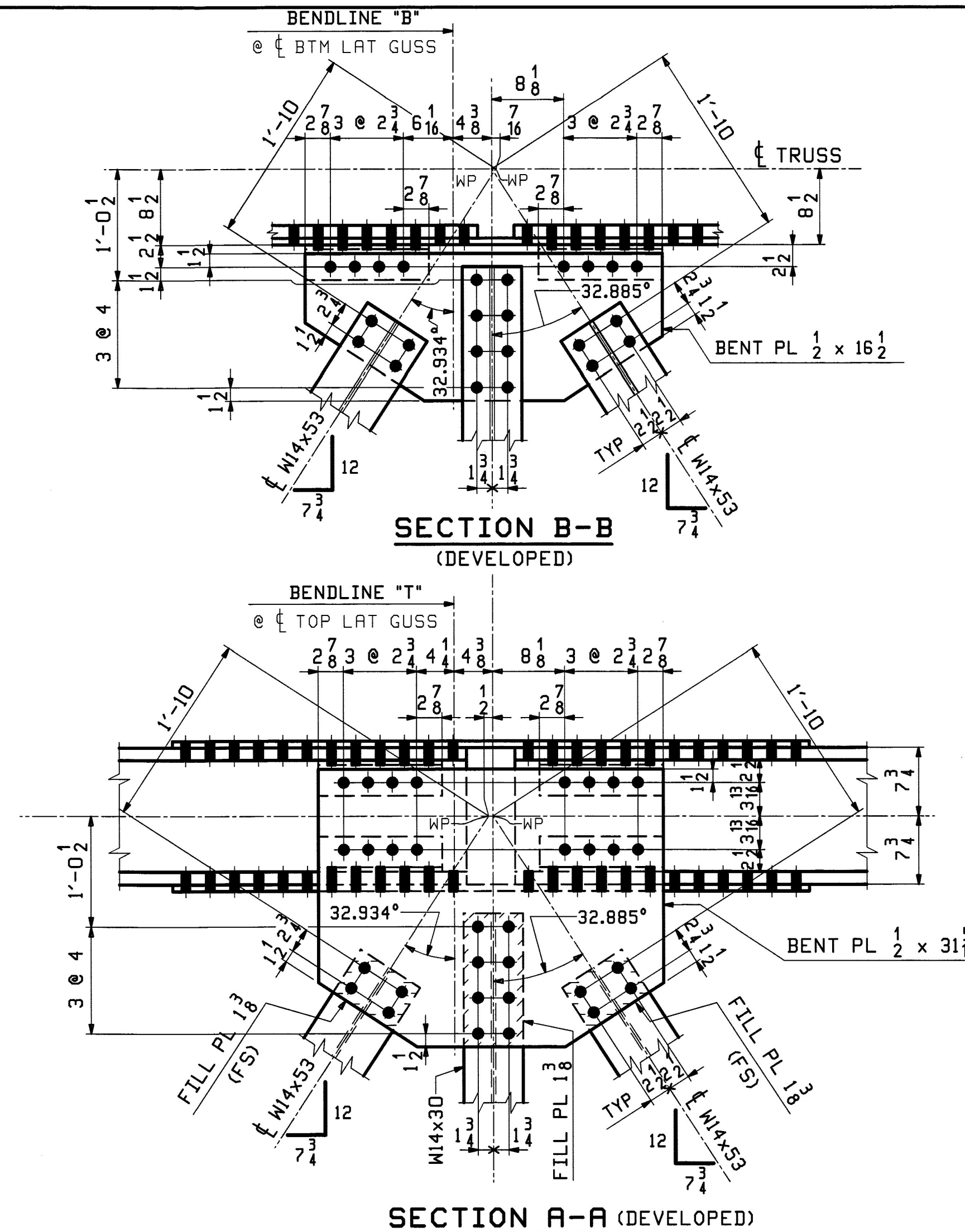
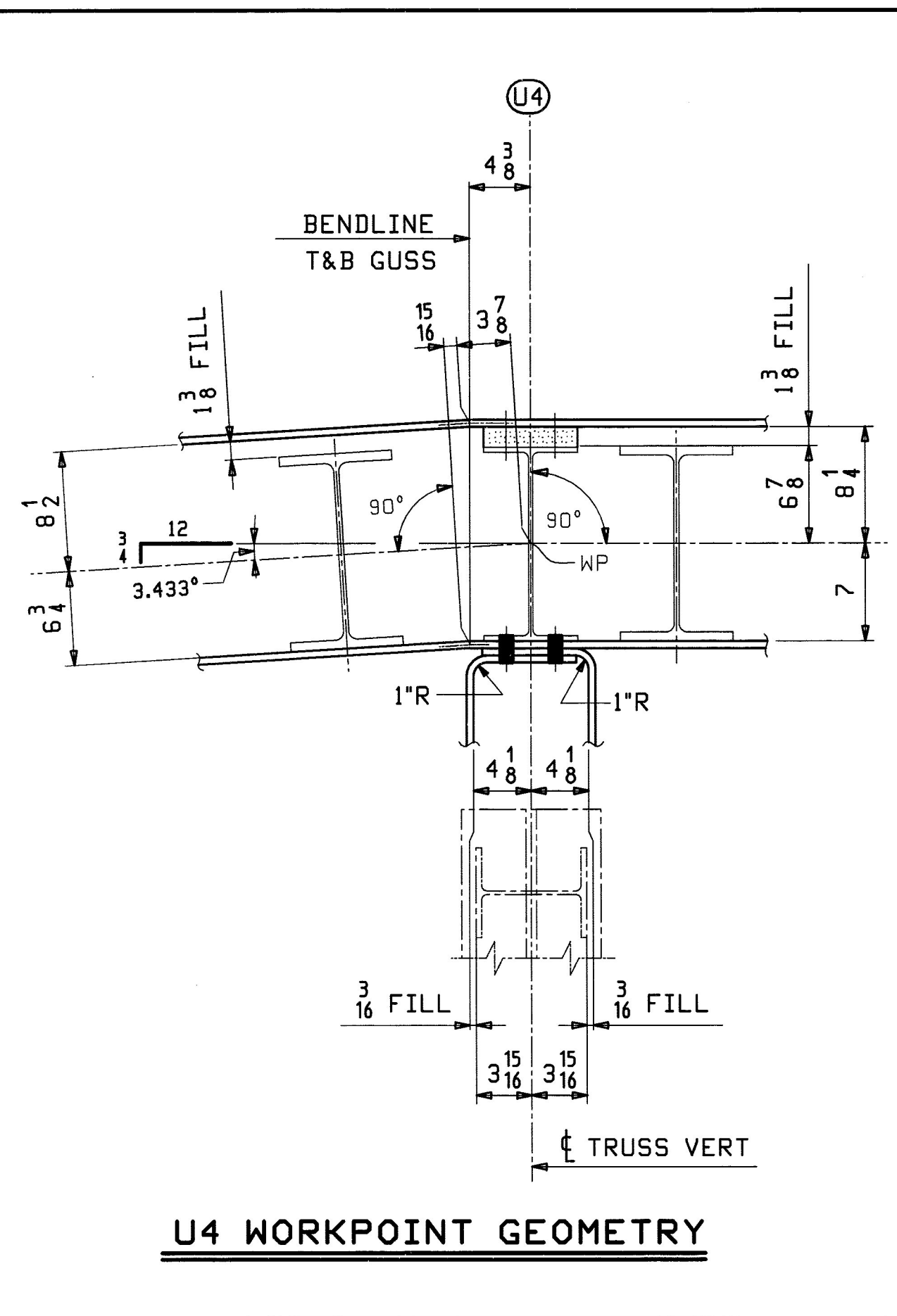


January 10 2012

RESUBMIT APPROVED ✓
BY J. LACROIX DATE 01-12-2012



- NOTES:
- ALL MATERIAL IS M270-50 (UN), WITH CVN & FCM TESTING AS INDICATED. ALL Ls SHALL BE M270-36. ALL ROLLED SHAPES AND PLATES SHALL BE HOT-DIP GALVANIZED AFTER FABRICATION.
 - BOLTS SHALL BE 7/8" A325-1 GALV. (UN). ALL BOLTS SHALL BE INSTALLED WITH HEADS EXPOSED TO PUBLIC VIEW WITH ONE HARDENED WASHER AND ONE DTI WASHER. BOLTS AND WASHERS SHALL BE MECHANICALLY GALVANIZED.
 - DUE TO ROLLING MILL TOLERANCE, THE ACTUAL THICKNESS OF FILL PLATES MAY VARY FROM WHAT IS SHOWN ON THIS DWG. THE SHOP WILL BE RESPONSIBLE FOR ADJUSTING FILL THICKNESS AS REQUIRED TO SUIT THE ACTUAL MATERIAL SIZE. FILL PLATES SHALL BE A SINGLE THICKNESS PLATE.
 - INTERIOR AND EXTERIOR GUSSET PLATES ARE IDENTICAL EXCEPT AS NOTED.

PCP - 10/11/11, 01/11/12, 02/11/12, 03/11/12, 04/11/12, 05/11/12, 06/11/12, 07/11/12, 08/11/12, 09/11/12, 10/11/12, 11/11/12, 12/11/12, 01/12/12, 02/12/12, 03/12/12, 04/12/12, 05/12/12, 06/12/12, 07/12/12, 08/12/12, 09/12/12, 10/12/12, 11/12/12, 12/12/12

**** NOTE ****
THE PURPOSE OF THIS DRAWING IS TO COORDINATE GEOMETRIC CONTROL INFORMATION AND CONNECTION SPACING. THIS DWG IS SUBMITTED FOR INFORMATION ONLY & IS NOT INTENDED FOR SHOP FABRICATION. DETAIL DWGS WILL SHOW ALL WELDING AND DIMENSIONS REQ'D FOR FABRICATION.

SCALE 1.0" = 1.0'

D		JAN 9 2012		NOV 18 2011	
REV. DATE	REMARKS	DWN	CHK	APVL	SHOP
MATERIAL:	SURFACE PREP. & PAINT:	HOLES:		SHOP BOLTS:	
M270-50 (UN)	HOT-DIP GALV.	15 1/16 (UN)		7 8 (UN)	
DESCRIPTION: TRUSS LAYOUT @ U4					
CASCO BAY STEEL STRUCTURES, INC.					
1 WALLACE AVE.			PHONE (207) 780-6722		
SOUTH PORTLAND, ME 04106			FAX. (207) 780-6726		
STRUCTURE: VT RTE 107 OVER WHITE RIVER		DRAWN:	DATE:		
		WL	10/04		
		CHKD:	DATE:		
		PCP	10/06		
LOCATION: BETHEL, VT.		JOB NO.	DWG NO.		
PROJ NO. BRF 022-1(14)		498	TDB		
CUSTOMER: BECK & BELLUCCI				REV.	△