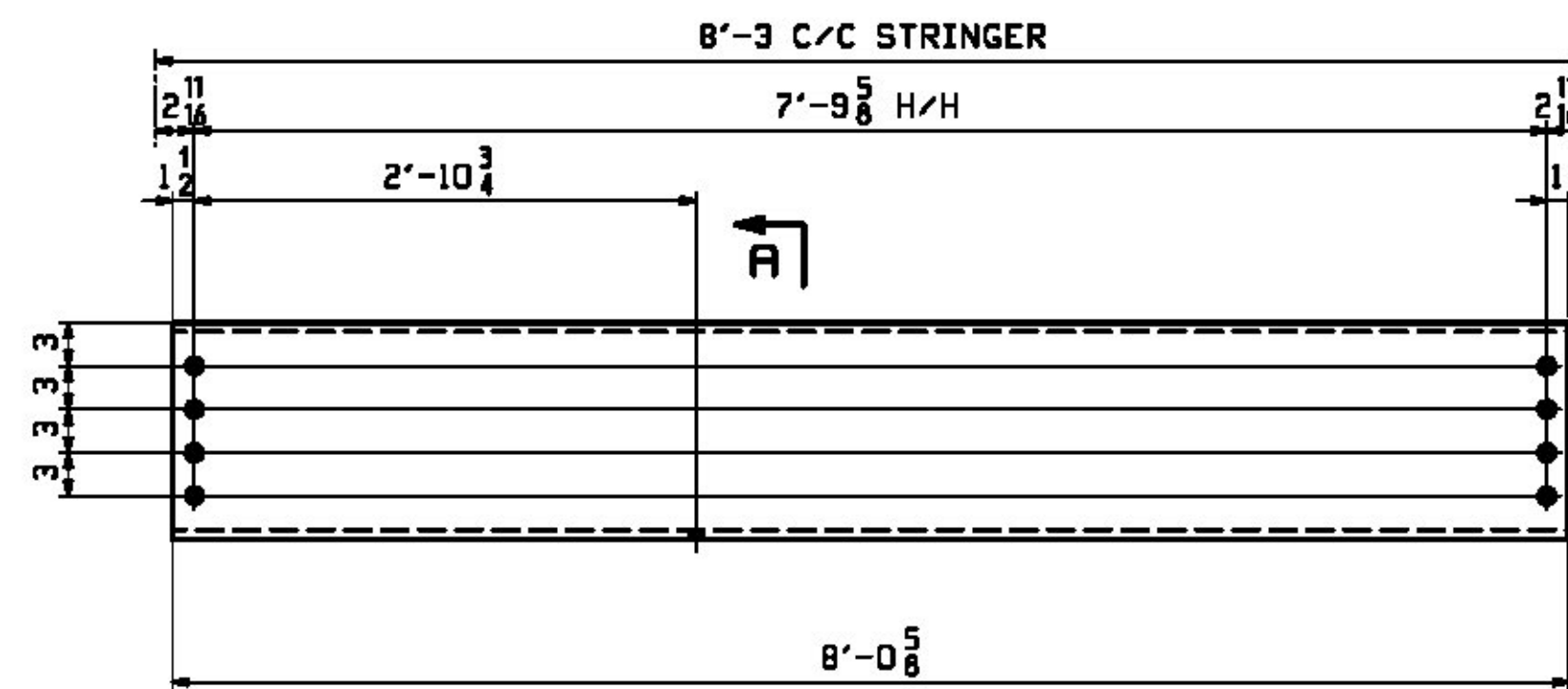
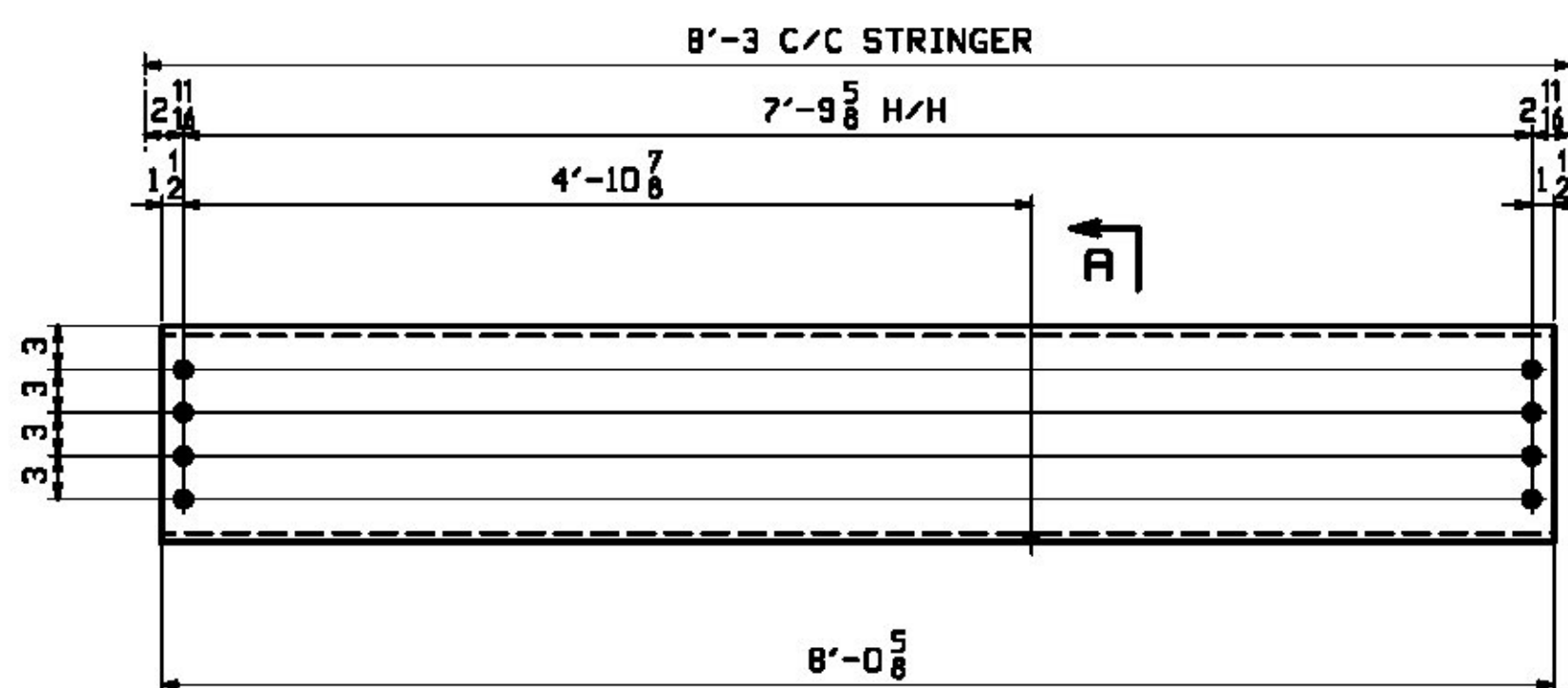


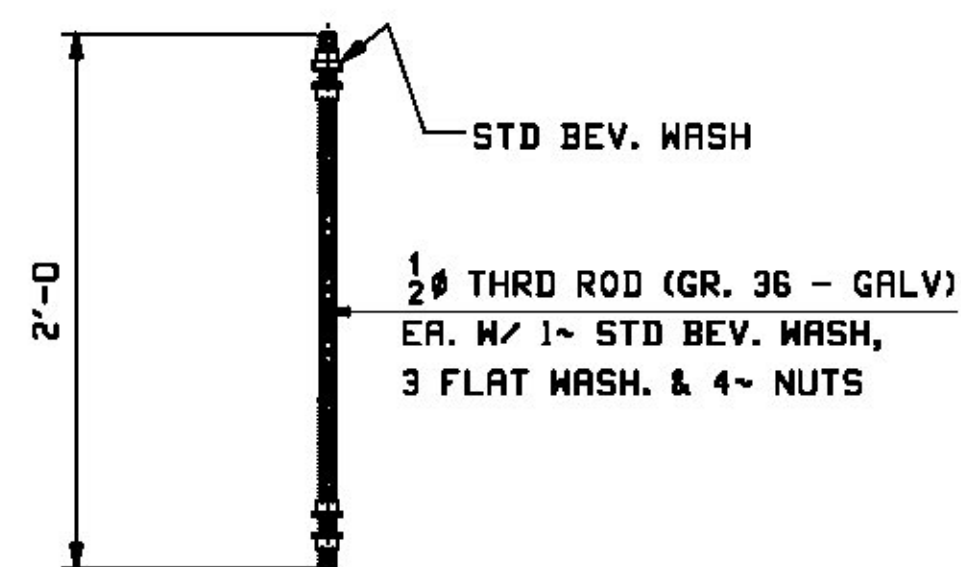
120 ~ DIAPHRAGMS ~ 9D1
(TYPICAL)



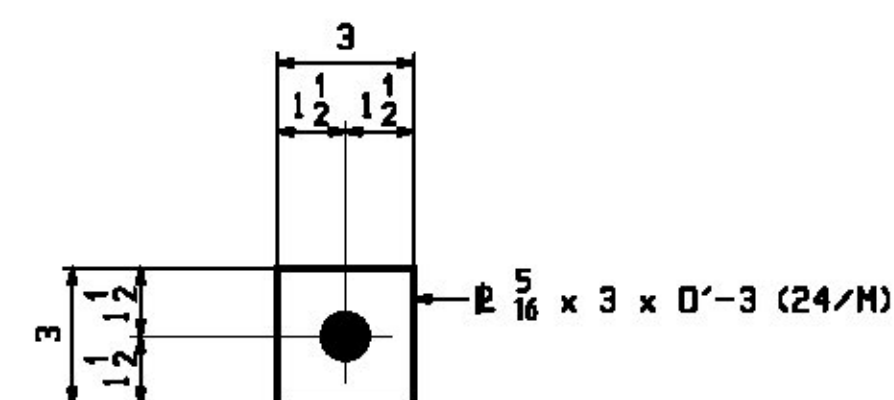
20 ~ DIAPHRAGMS ~ 9D2



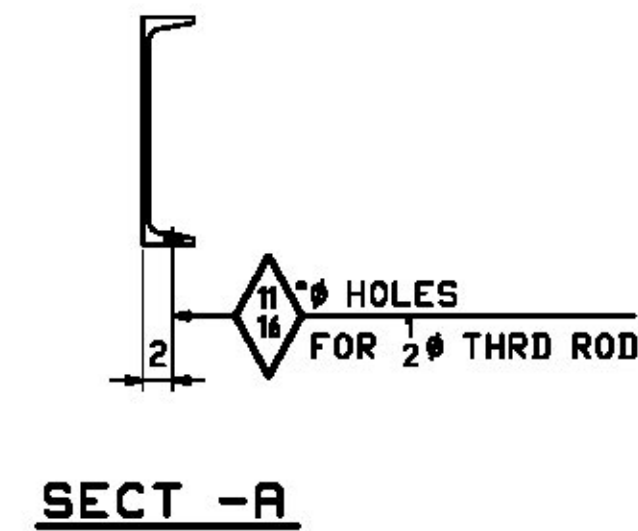
20 ~ DIAPHRAGMS ~ 9D3



40 ~ HANGER RODS ~ 9HR1



100 ~ PLATE WASHER ~ 9PW1



JOB NO.		DRAWING NO.		REV.	
498		9		▲	
REV.	DATE	BY	CHK	APV	SHOP
0	2/18/12	EEO	TJB		
REMARKS: ADD PLATE WASHER '9PW1'					
MATERIAL: M270-50 (UN) SURFACE PREP. & PAINT: HOT-DIP GALV. HOLES: 15/16 (UN) SHOP BOLTS: 7/8 (UN)					
DESCRIPTION: DIAPHRAGMS & HANGER RODS					
CASCO BAY STEEL STRUCTURES, INC. 1 WALLACE AVE. SOUTH PORTLAND, ME 04106 PHONE (207) 780-6722 FAX. (207) 780-6726					
STRUCTURE: VT RTE 107 OVER WHITE RIVER				DRAWN: TJB	DATE: 10/17
				CHKD: PCP	DATE: 10/21
LOCATION: BETHEL, VT.				JOB NO. 498	DWG NO. 9
PROJ NO. BRP 022-1(14)					REV. ▲
CUSTOMER: BECK & BELLUCCI					

Vermont Agency of Transportation

RECEIVED

CK'D BY M.C.L. OK'D BY S.S.S.

March 9 2012

RESUBMIT APPROVED ✓
BY J. LACROIX DATE 01-12-2012

NOTES:

- FOR GENERAL NOTES SEE DWG. GNI.
- T2 DENOTES MATERIAL SUBJECT TO CHARPY V-NOTCH TESTING