

6

5

4

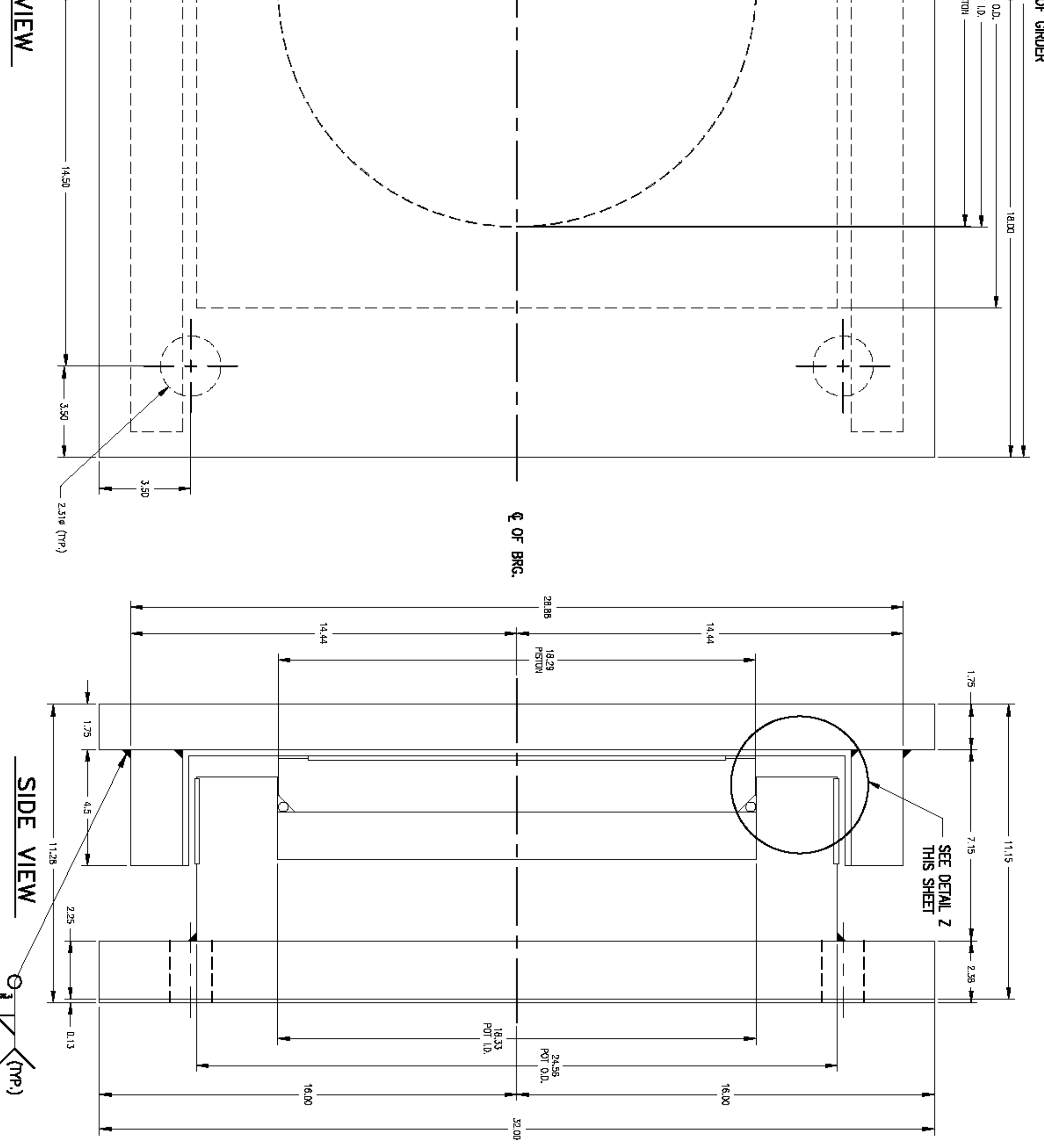
3

2

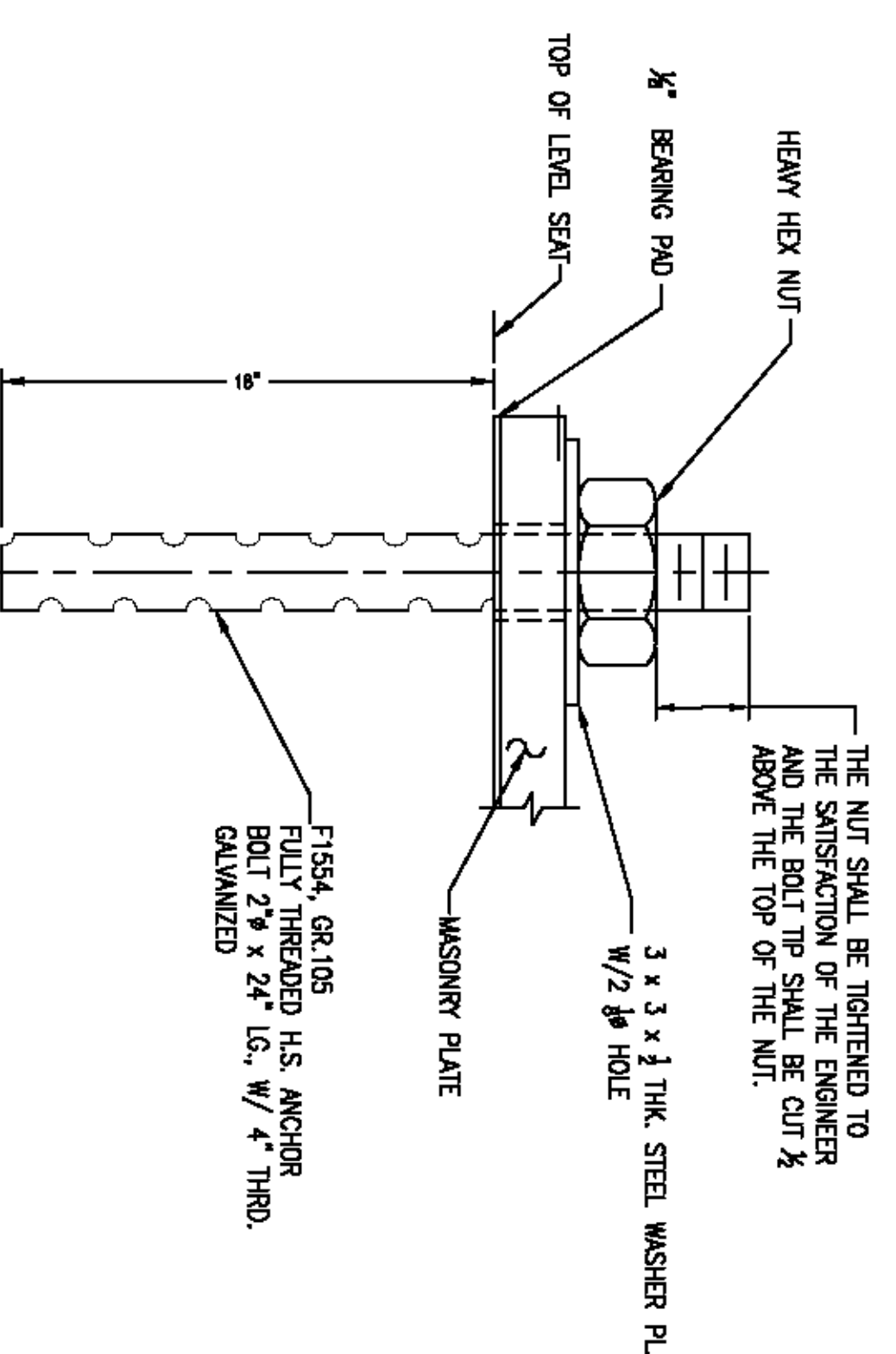
1

REVISIONS				
ZONE	REV	DESCRIPTION	DATE	REV. BY / APPROVED
-	A	AS PER ENGINEER & CHECKER'S MARKS	9/29/11	E.L.B. / R.F.

OF GIRDER

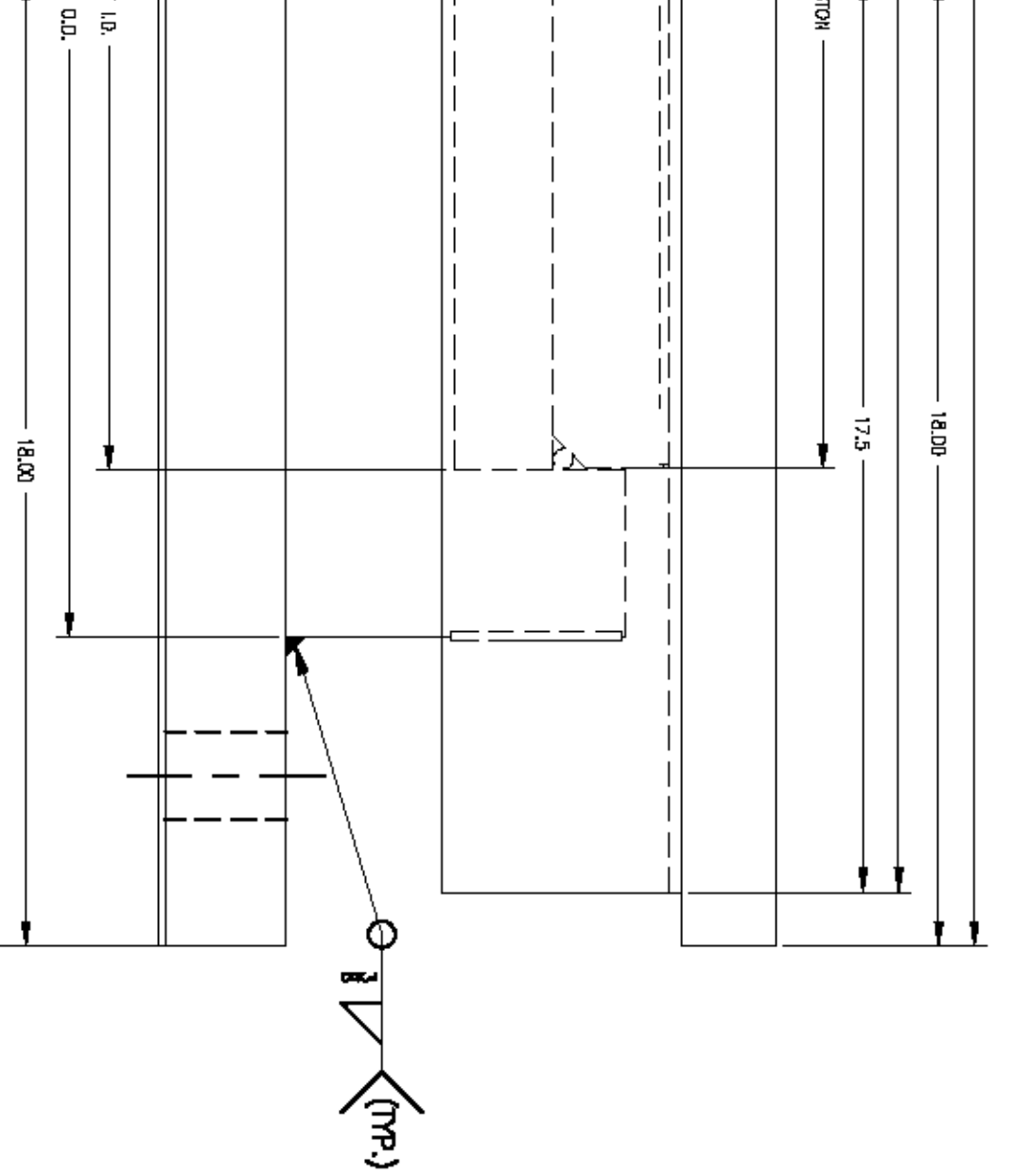


B



ANCHOR BOLT DETAIL
QTY. REQ'D = 4

C



GUIDED BEARING (N3)
REQ'D = 1

6

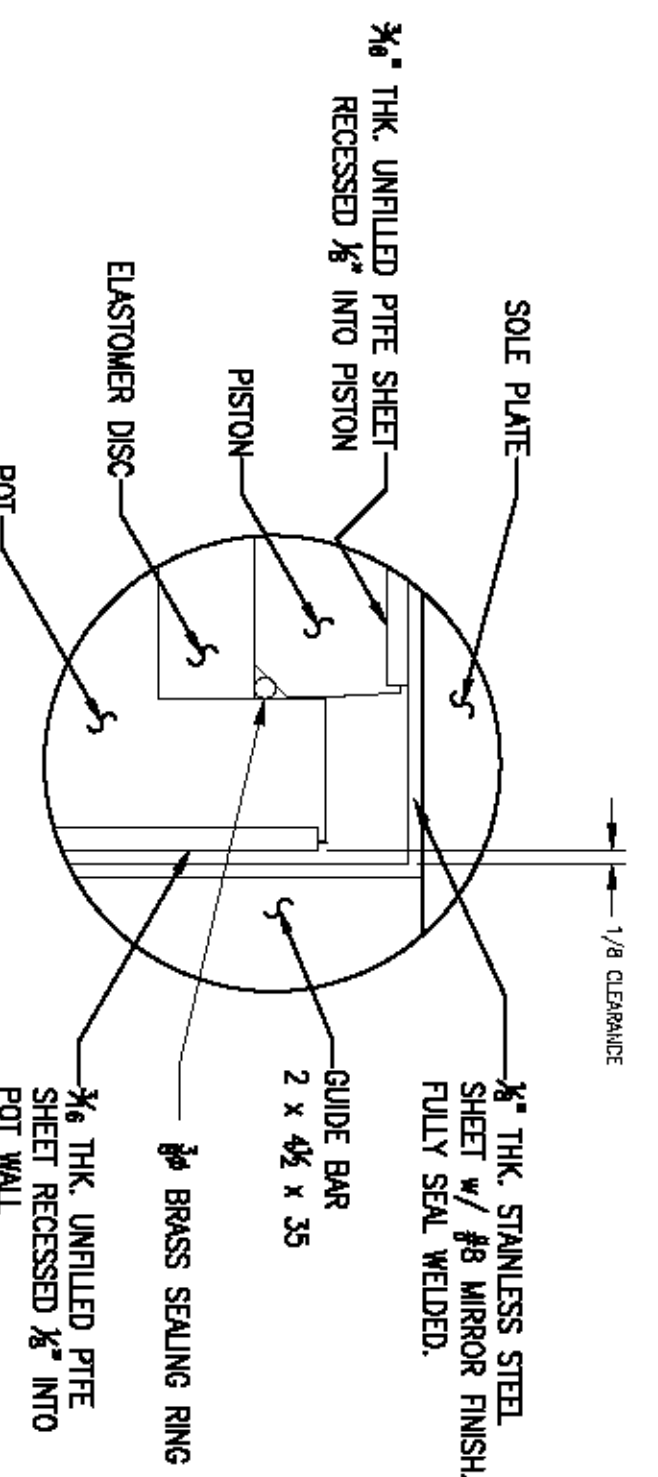
5

4

3

2

1



DETAIL Z

A

VERMONT AGENCY OF TRANSPORTATION
PROJECT NAME: BETHEL
PROJECT NUMBER: BRF-022-1(14)

AMSCOT
STRUCTURAL PRODUCTS CORP.

SCALE: N.T.S. APPROV'D: R.F. DRAWN BY: P.S.
DATE: 8/19/11 REV: A
TRANSVERSAL EXPANSION HLWR POT BEARING
FOR: BECK & BELLUCCI SHEET NO 5 of 7 DWG NO: CRBT14SR4