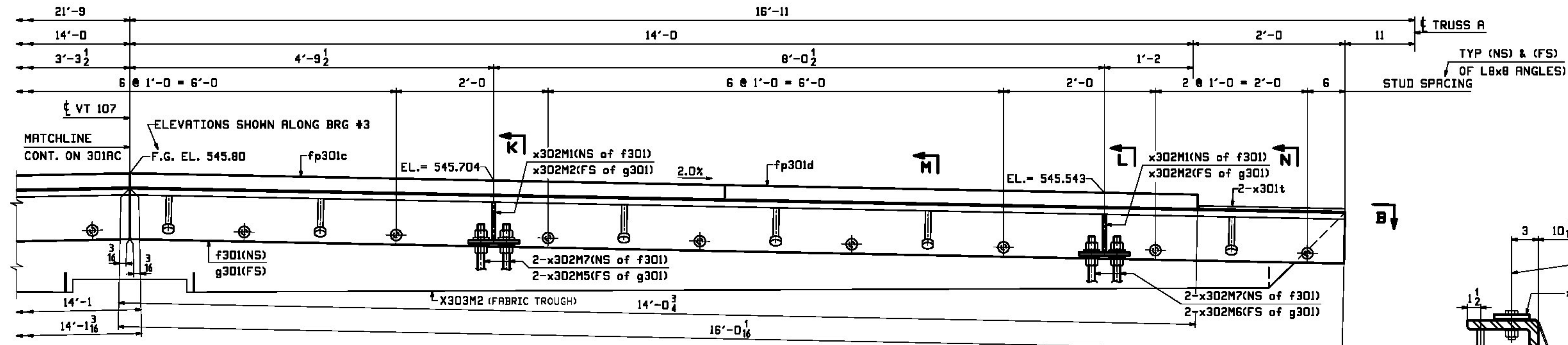


**RECEIVED**

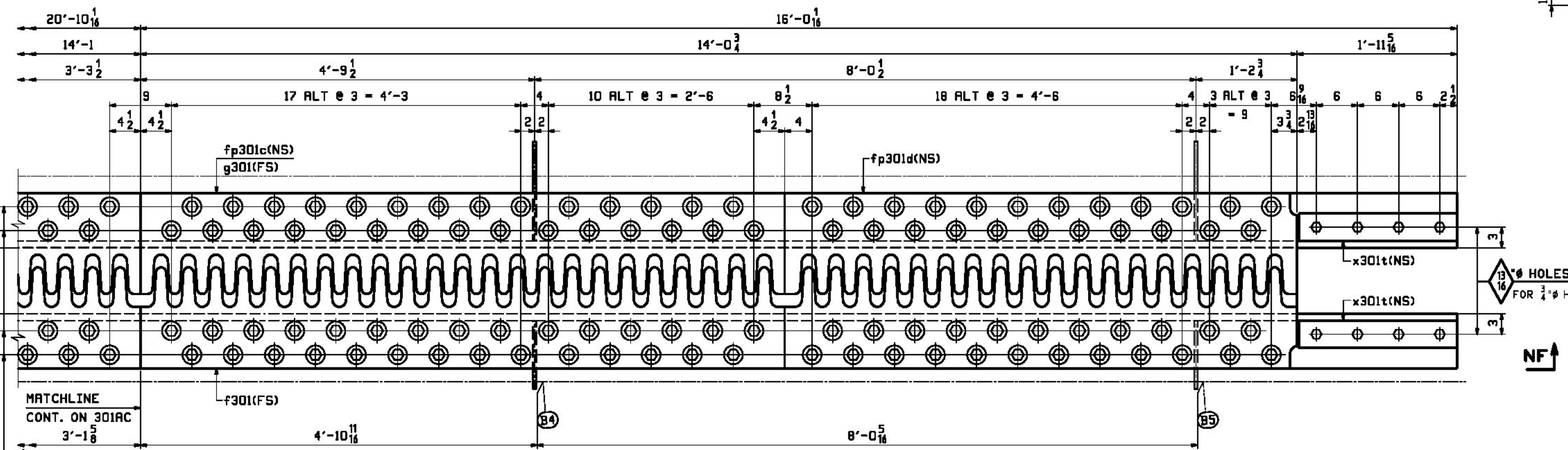
CK'D BY M.C.L. OK'D BY S.S.S.

January 10 2012

RESUBMIT APPROVED AS NOTED ✓  
 BY J. LACROIX DATE 01-12-2012

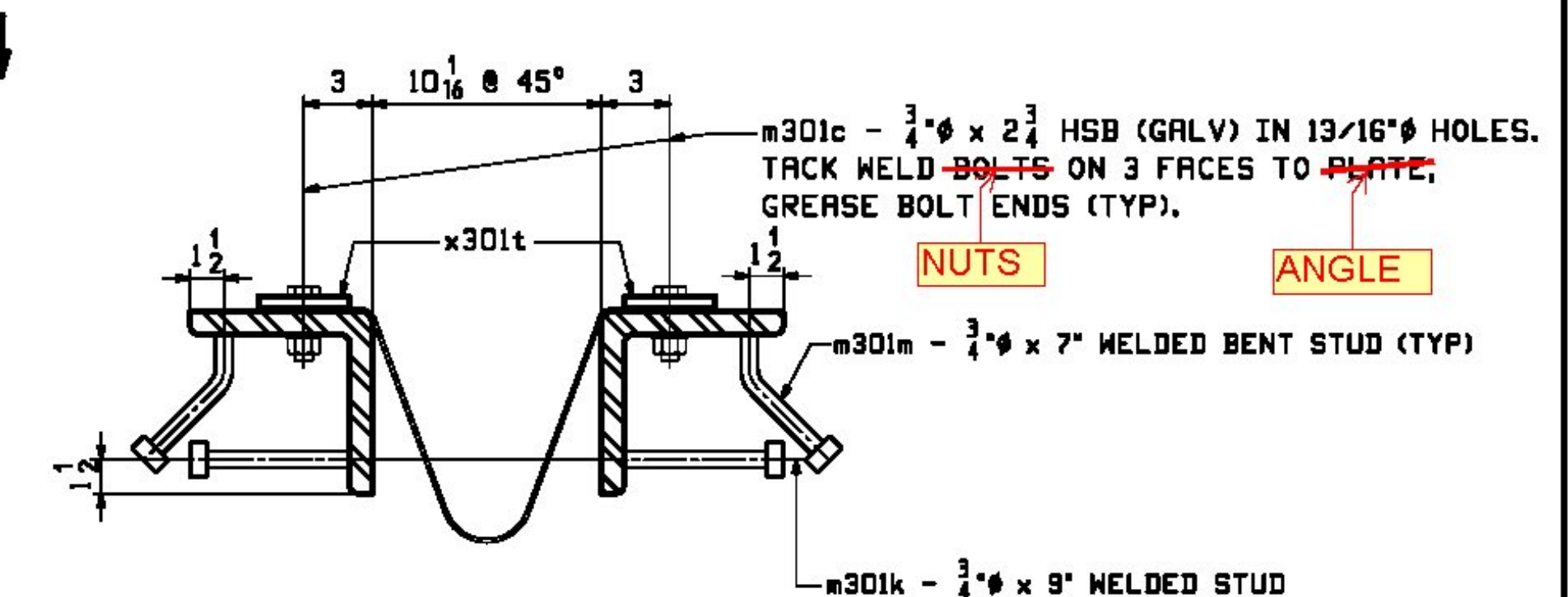


ELEVATION NF-NF (CONT.)

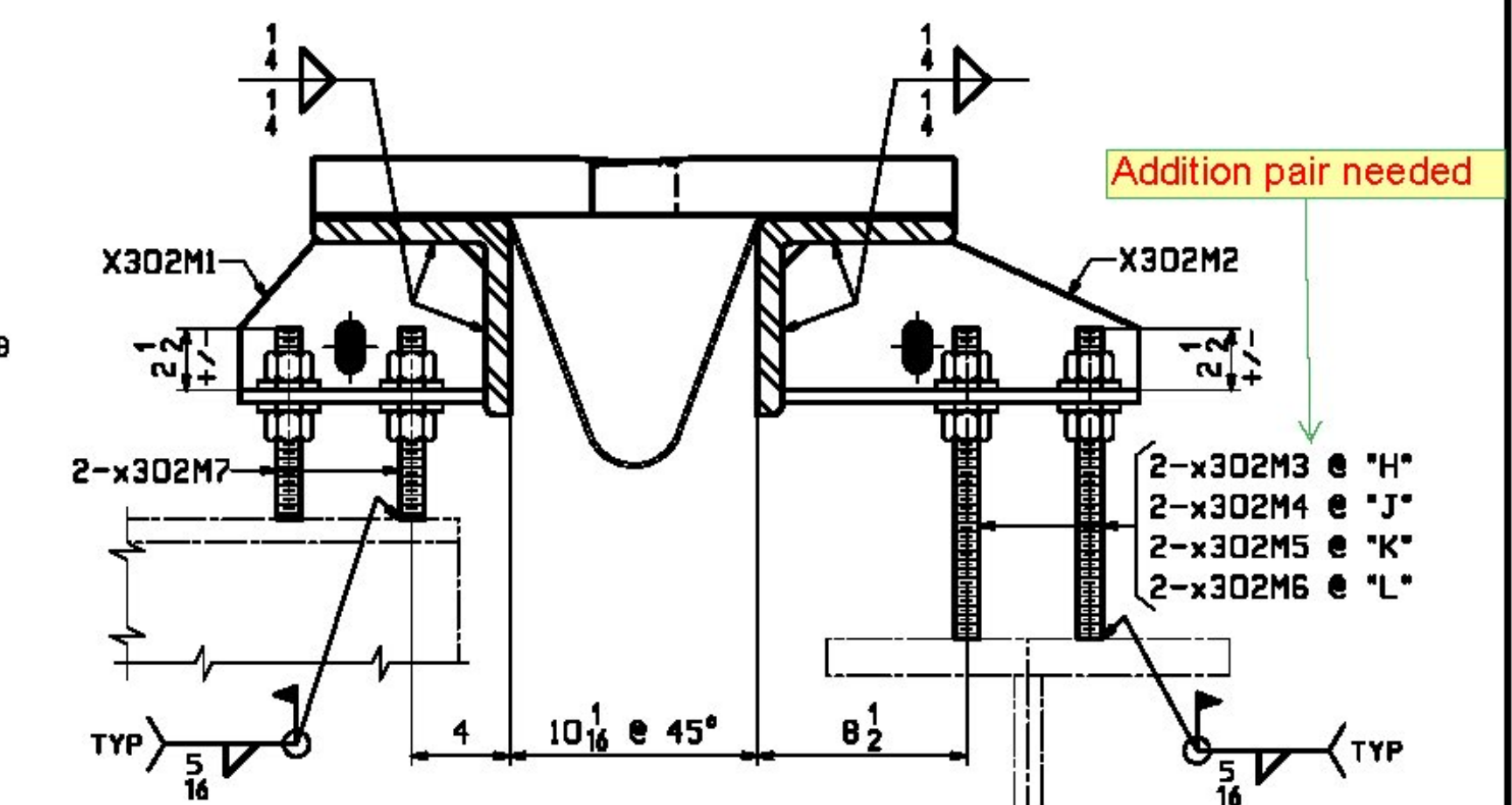


SECTION B-B (CONT.)

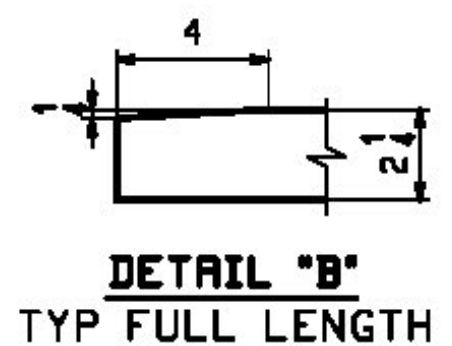
1/8" HOLES IN ANGLES  
 1" COUNTERBORE HOLES IN PL (SEE SECTION M)



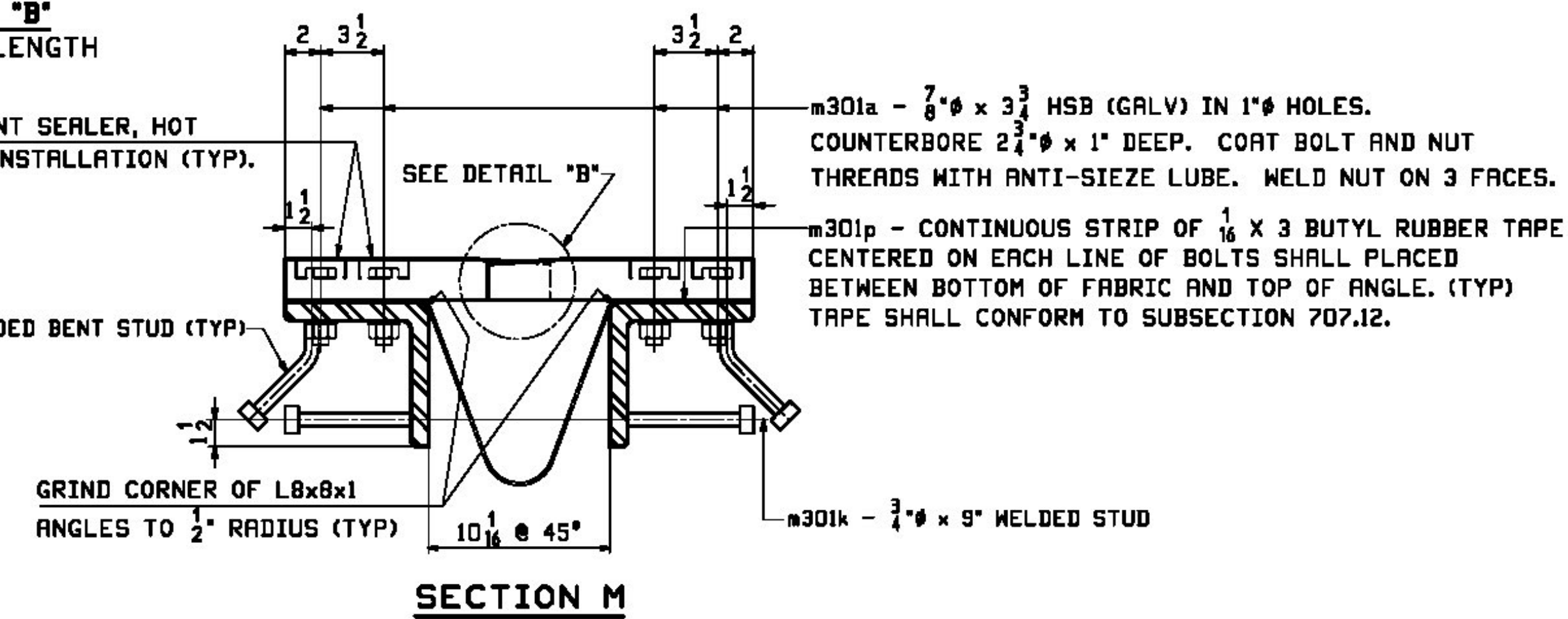
SECTION N



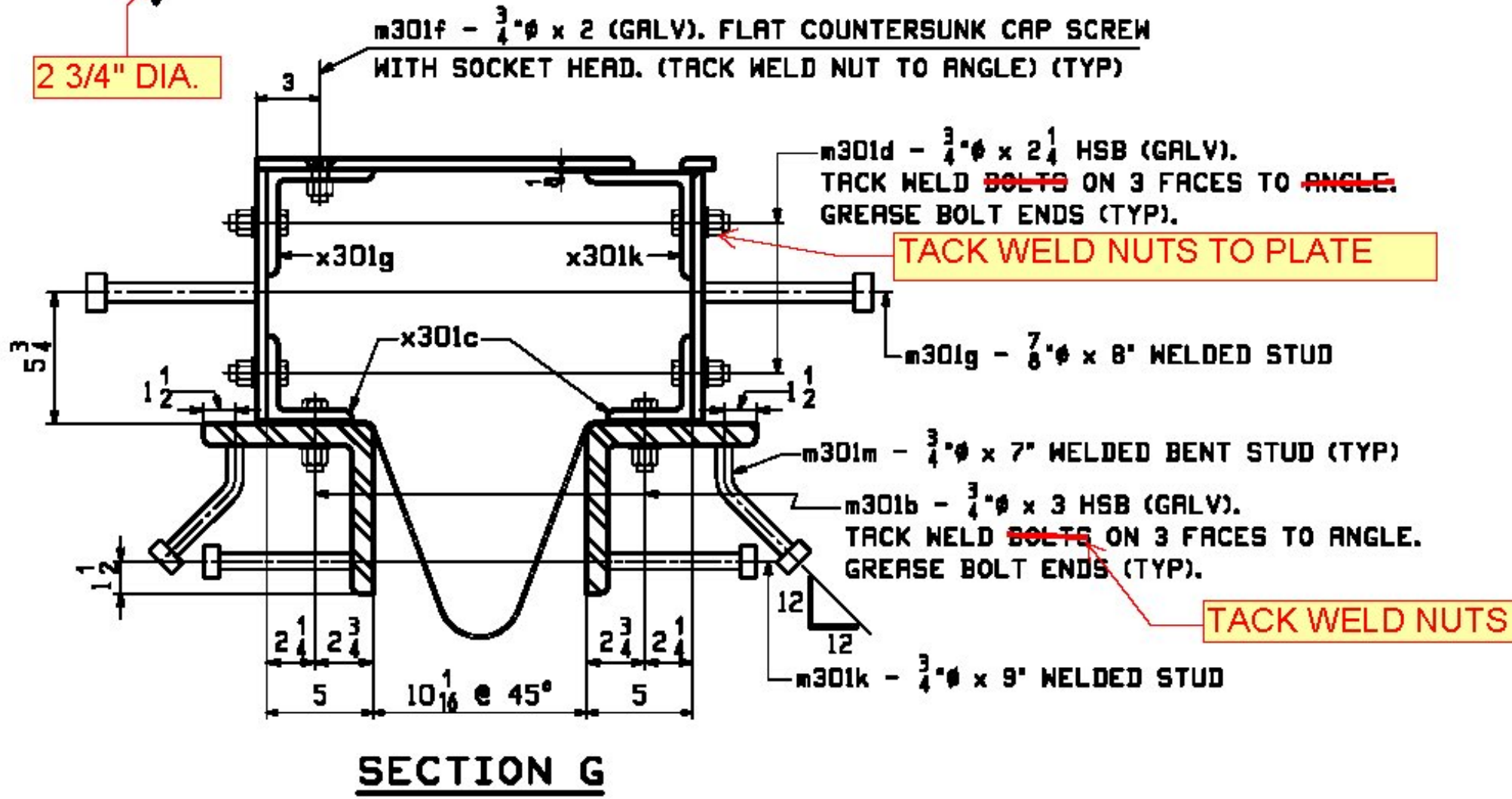
SECTIONS H, J, K & L ALIKE EXCEPT AS NOTED



FILL HOLES WITH JOINT SEALER, HOT POURED AFTER BOLT INSTALLATION (TYP.)



SECTION M



SECTION G

WORK THIS DRAWING WITH DRAWINGS 301AC & 301C

REV.	DATE	REMARKS	DMN	CHK	APVL	SHOP
0						
MATERIAL:		SURFACE PREP. & PAINT:		HOLES:		SHOP BOLTS:
M270-50 (UN)		HOT-DIP GALV.		AS NOTED		AS NOTED
DESCRIPTION: EXPANSION JOINT @ PIER (BEARING #2 & #3)						
CASCO BAY STEEL STRUCTURES, INC. 1 WALLACE AVE. PHONE (207) 780-6722 SOUTH PORTLAND, ME 04106 FAX. (207) 780-6726						
STRUCTURE: VT RTE 107 OVER WHITE RIVER				DRAWN: JTB		DATE: 12/14
LOCATION: BETHEL, VT.				CHKD: PCP		DATE: 12/30
PROJ NO. BRP 022-1(14)				JOB NO. 498		DWG NO. 301BC
CUSTOMER: BECK & BELLUCCI						REV. Δ