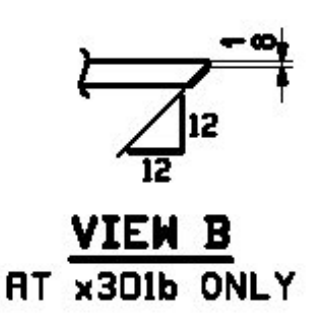
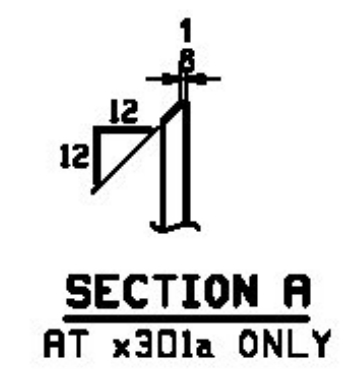
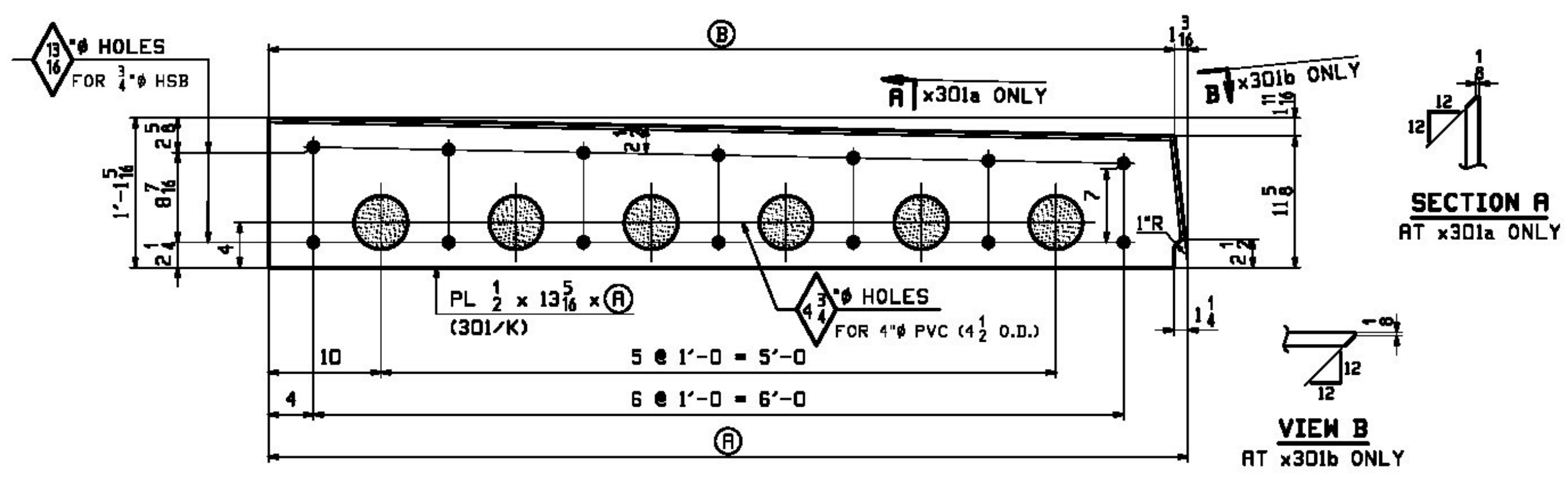


Vermont Agency of Transportation
RECEIVED

CK'D BY M.C.L. OK'D BY S.S.S.

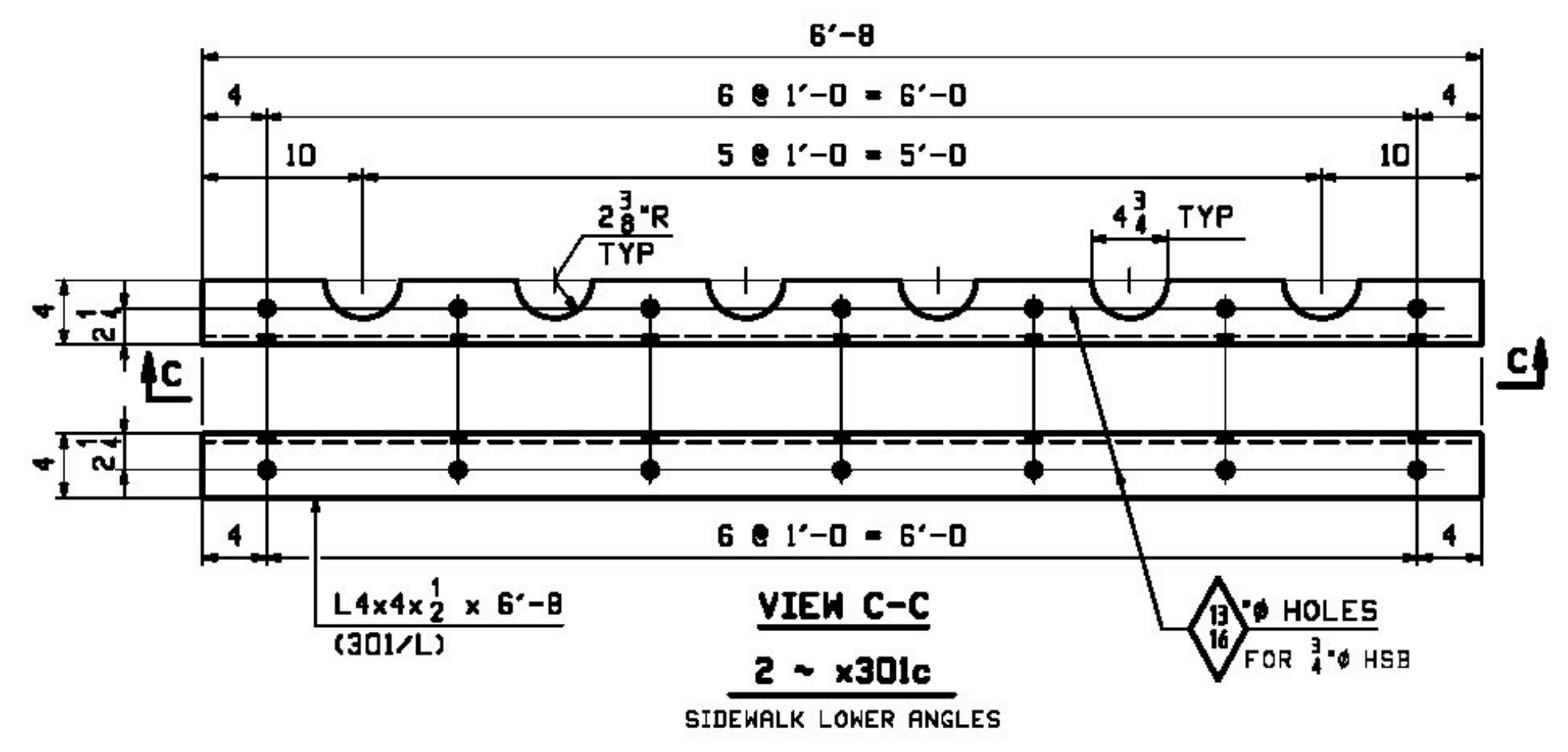
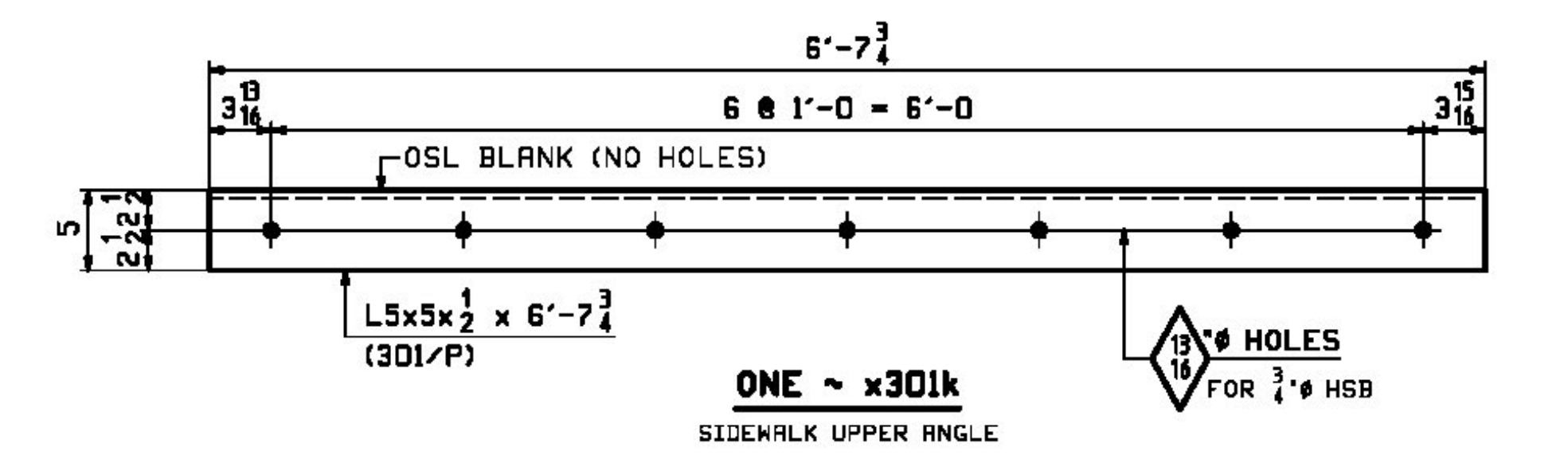
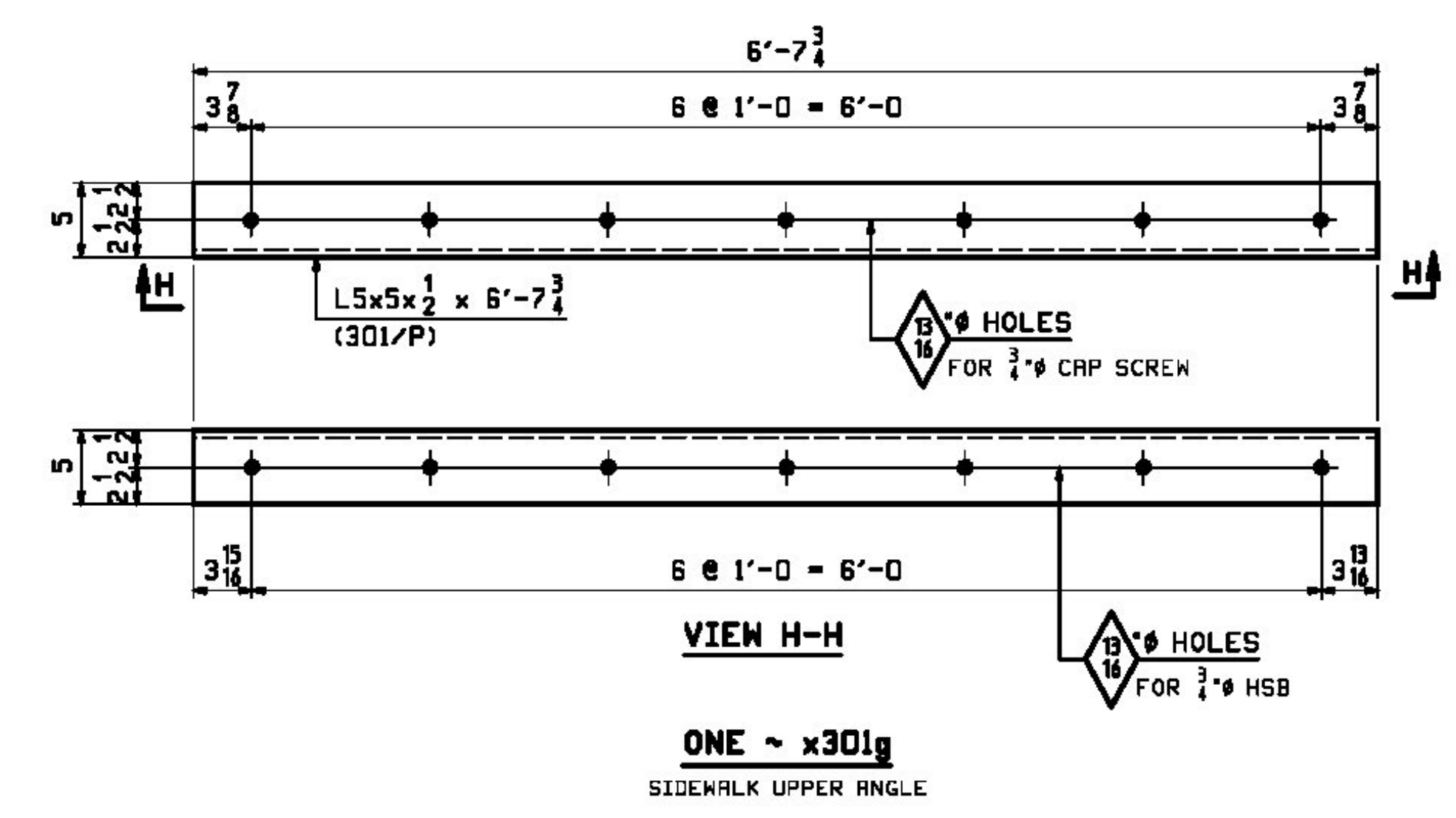
January 10 2012

RESUBMIT APPROVED AS NOTED ✓
BY J. LACROIX DATE 01-12-2012

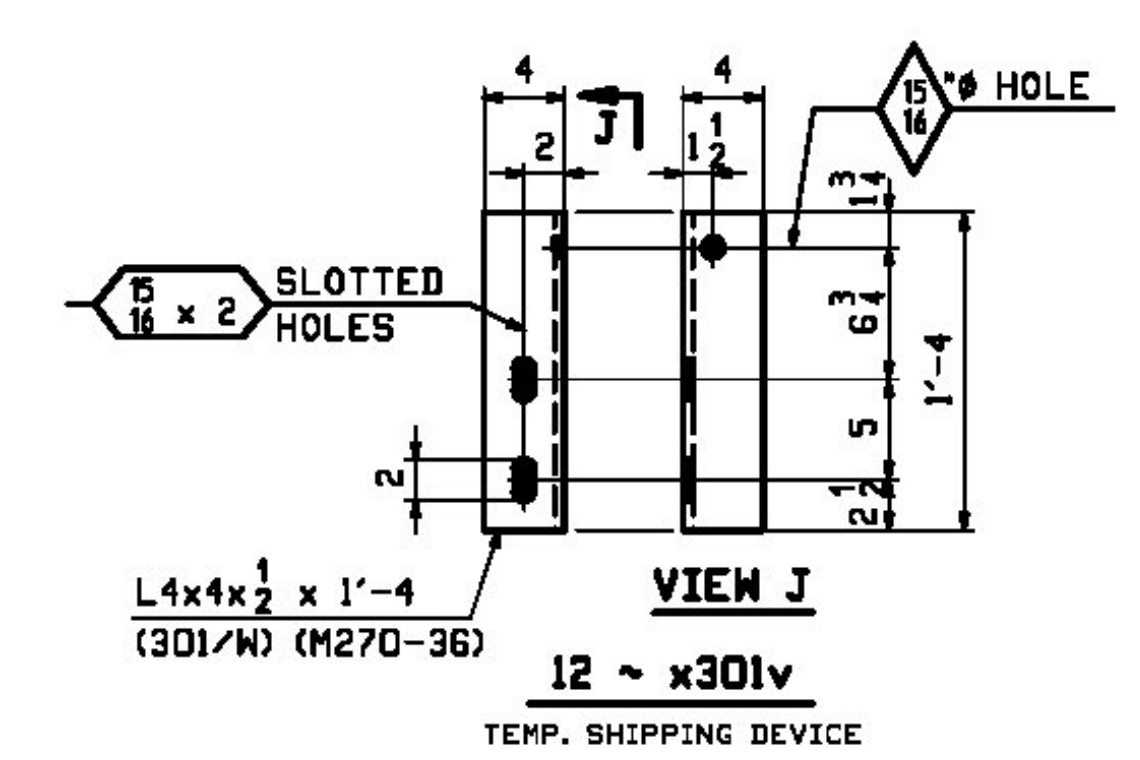
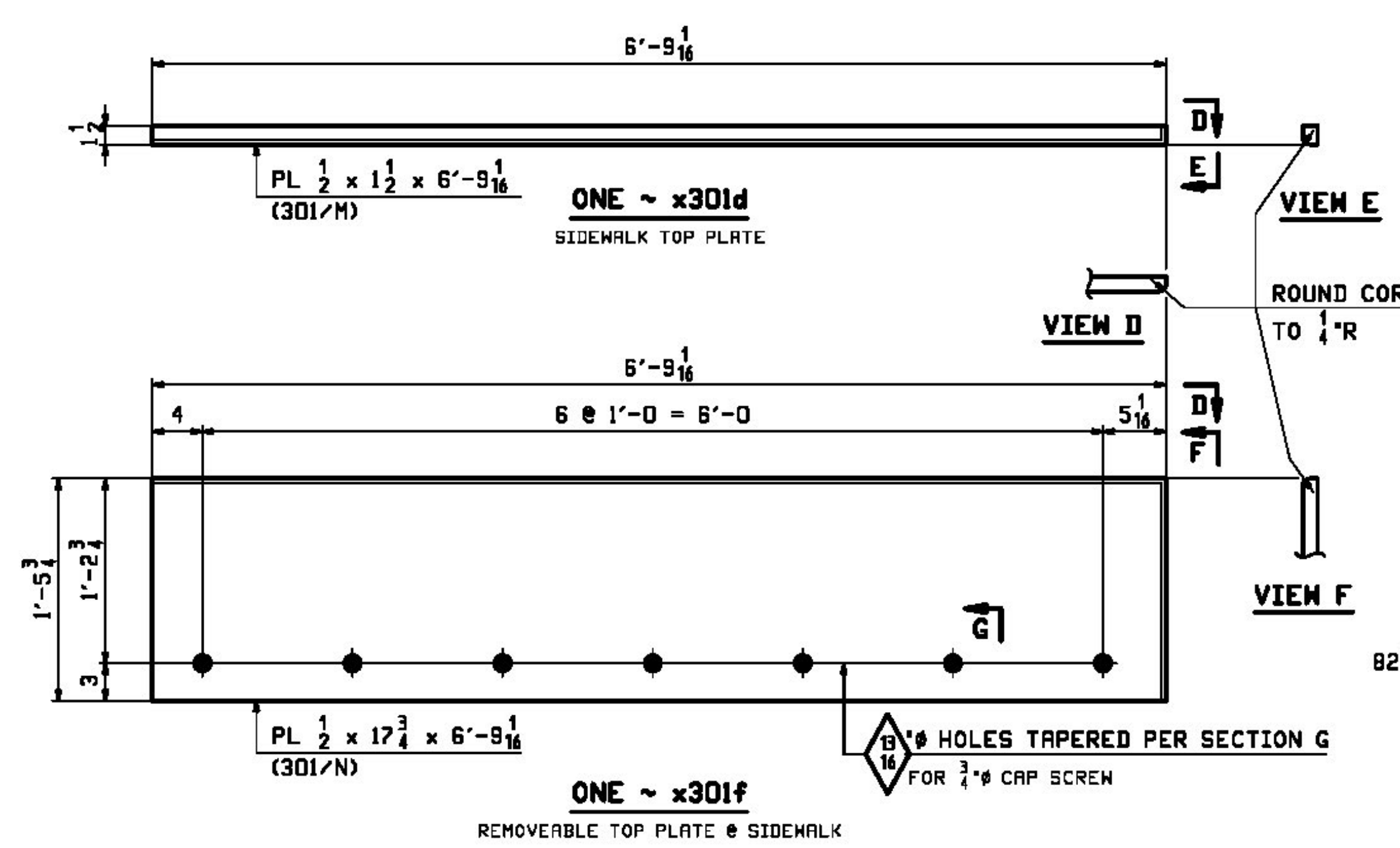
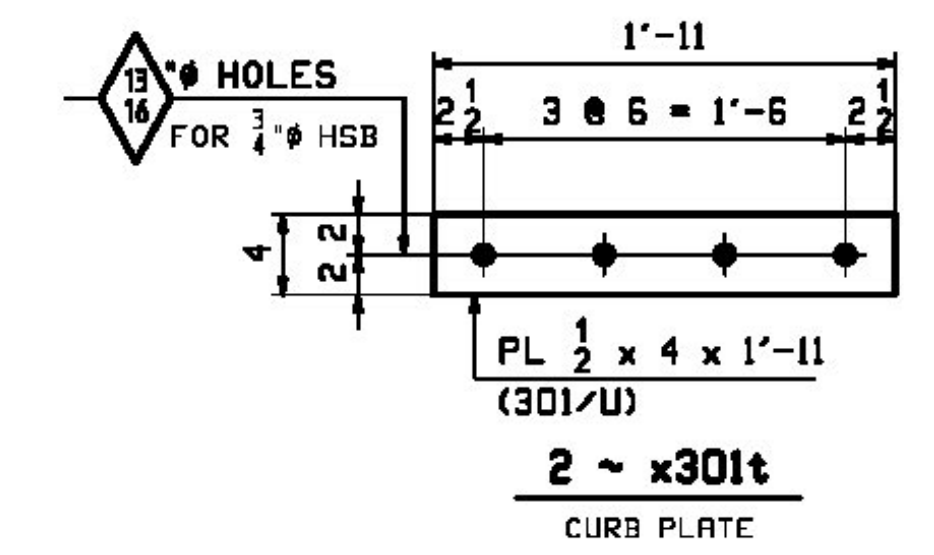
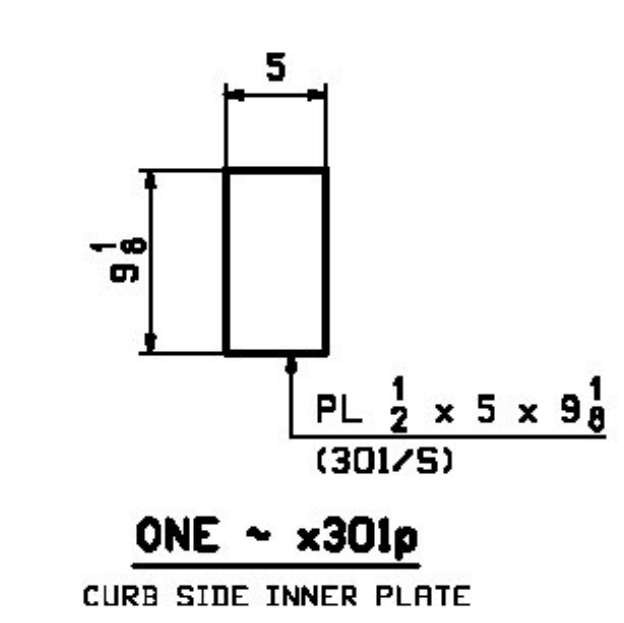
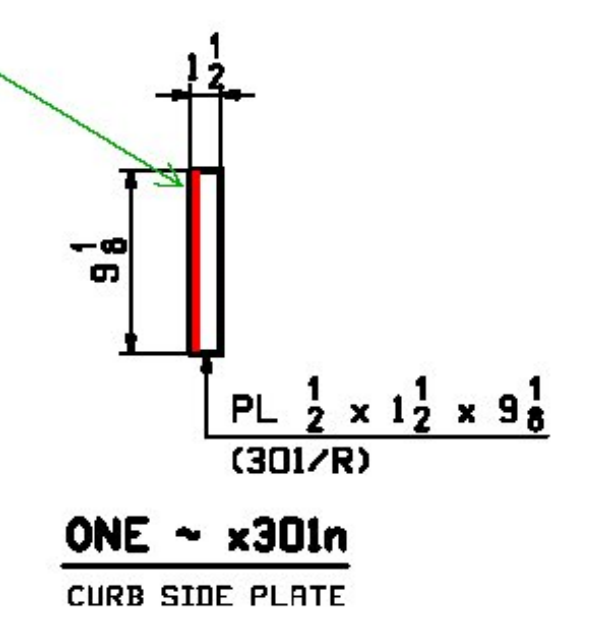
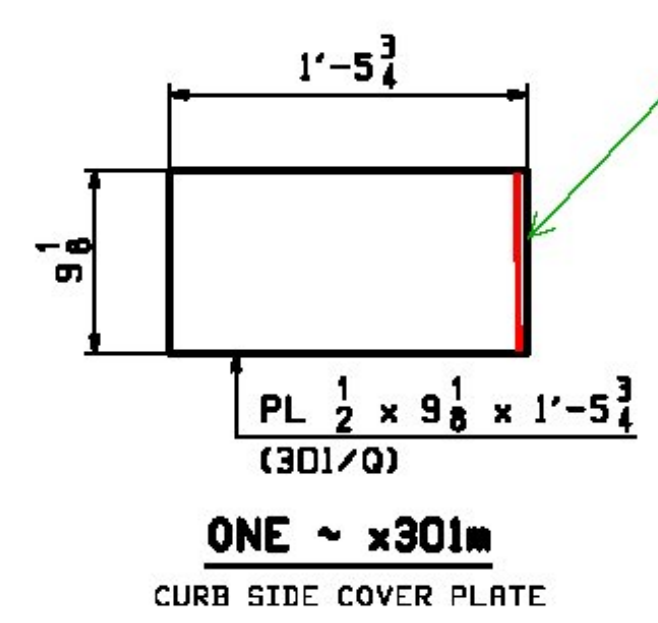


MARK "A"
SIDEWALK SIDE COVER PLATES

MARK "A"	QTY	(A)	(B)
x301a	1	6'-9 5/8"	6'-8 7/16"
x301b	1	6'-9 3/4"	6'-8 9/16"



ROUND CORNERS 1/4"R



NOTE:
FOR GENERAL NOTES SEE DRAWING GNI.

REV.	DATE	REMARKS	DMN	CHK	APVL	SHOP
0						
MATERIAL:		SURFACE PREP. & PAINT:		HOLES:		SHOP BOLTS:
M270-50 (UN)		HOT-DIP GALV.		AS NOTED		NONE
DESCRIPTION: EXP. JOINT STANDARDS						
CASCO BAY STEEL STRUCTURES, INC. 1 WALLACE AVE. PHONE (207) 780-6722 SOUTH PORTLAND, ME 04106 FAX. (207) 780-6726						
STRUCTURE: VT RTE 107 OVER WHITE RIVER				DRAWN: DATE:		
				JT B 12/12		
				CHKD: DATE:		
				PCP 12/30		
LOCATION: BETHEL, VT.				JOB NO. DWG NO.		
PROJ NO. BRP 022-1(14)				498 X301		
CUSTOMER: BECK & BELLUCCI				REV. 1		

1/12/12 10:58 AM C:\Users\jml\Documents\2012\107\107-14.dwg