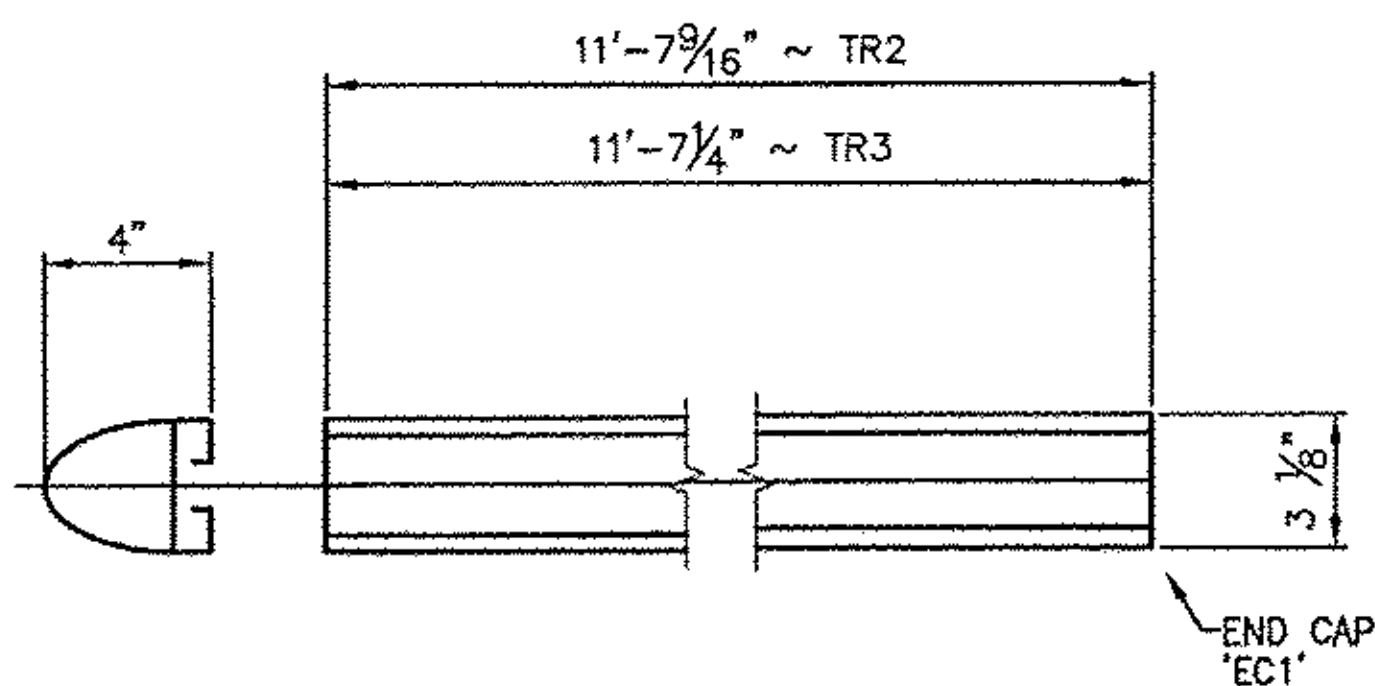
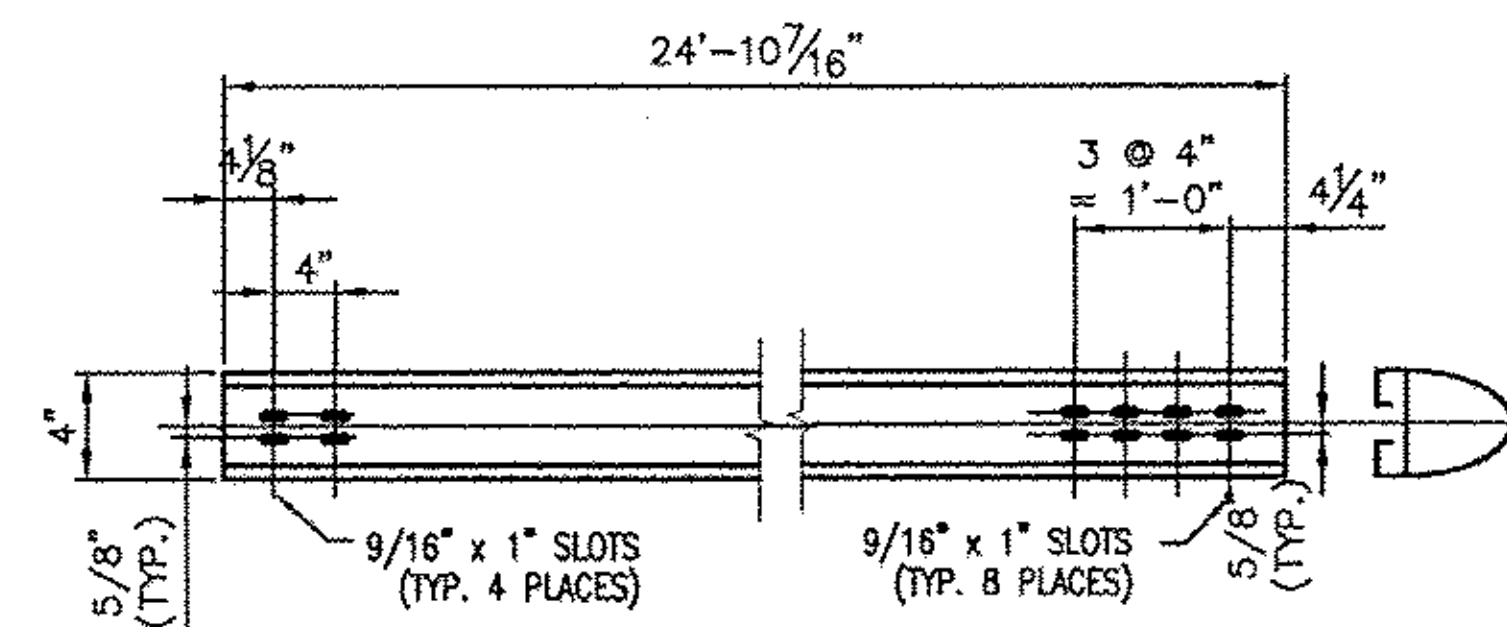


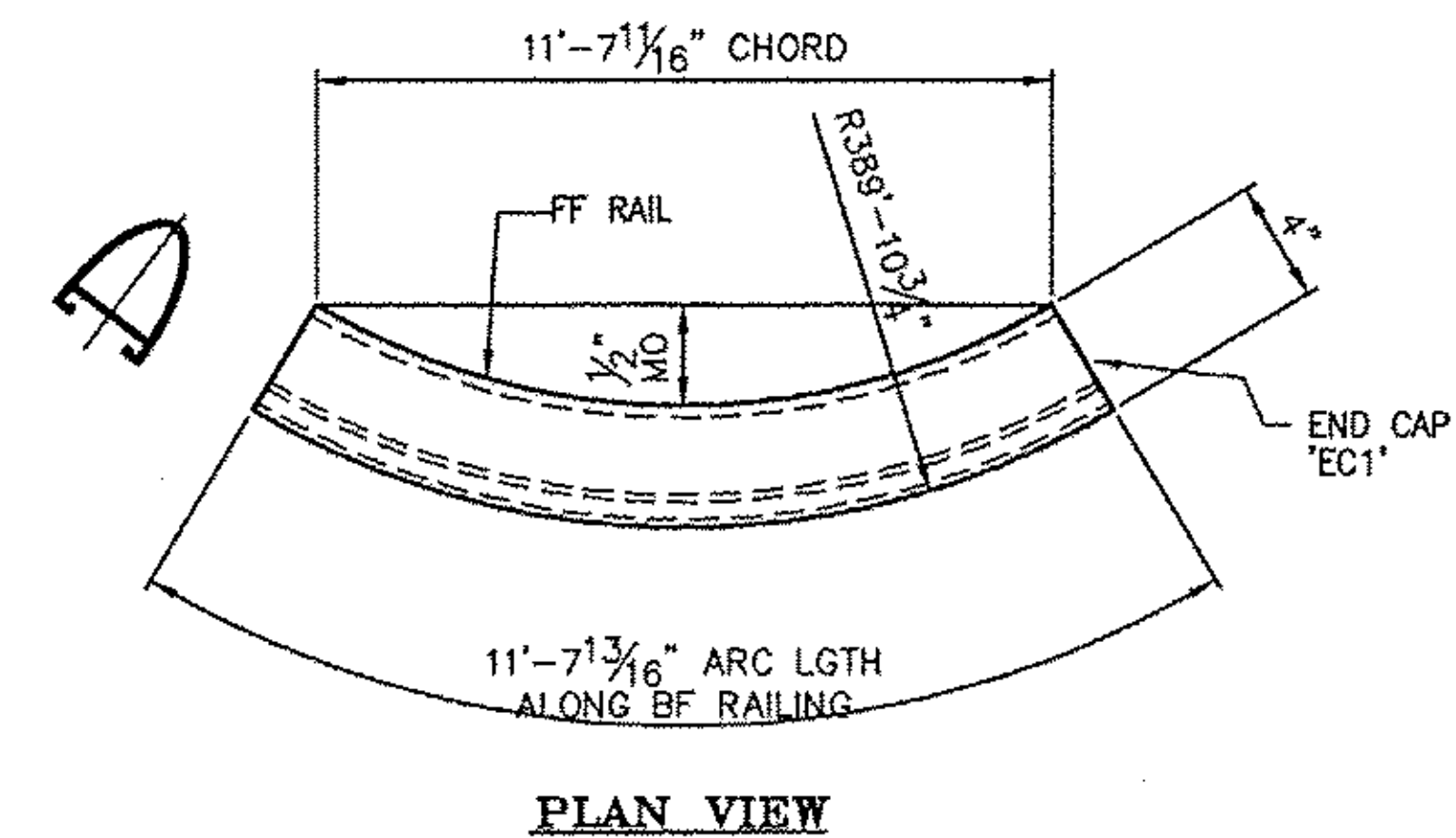
ONE REQ'D - HANDRAIL 'TR4'



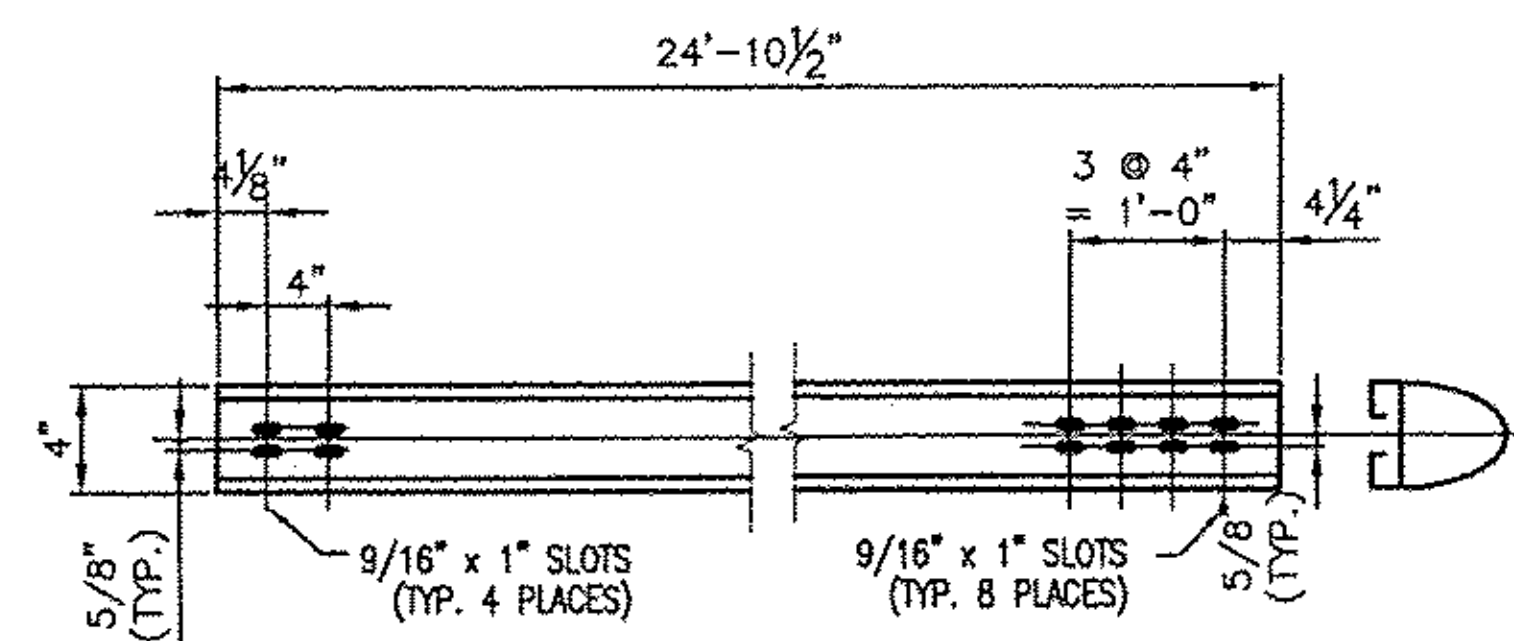
**ONE REQ'D - HANDRAIL 'TR3'
(BACK ELEVATION VIEW)**



**2 REQ'D. ~ RAIL 'BR2'
(BACK ELEVATION VIEW)**



ONE REQ'D - HANDRAIL 'TR1'



**2 REQ'D. ~ RAIL 'MR2'
(BACK ELEVATION VIEW)**

RECEIVED
 OK'D BY WEP OK'D BY SSS
 OCT 24 2011
 RESUBMIT _____ APPROVED
 BY _____ DATE 11/1/2011

BRIDGE No. 15
 PROJECT No. BRF 022-1 (14)
 ITEM No. 621.74

LB Foster
 Fabricated Bridge Products
 L.B. FOSTER COMPANY
 1016 GREENTREE RD.
 PITTSBURGH, PA 15220

FOR: F. R. LAFAYETTE, INC.
 VERMONT AGENCY OF TRANSPORTATION
 TOWN OF BETHEL, WINDSOR COUNTY, VT
 3-LINE ALUMINUM APPROACH RAIL FOR VT ROUTE 7
 (MINOR ARTERIAL) - APPROACH RAIL DETAILS

MADE CMS DATE 09/22/11 JOB NO. ARO700

CHECK Dd DATE 10/14/11 DRAWING LB21

REV.	DESCRIPTION	BY	DATE	REV. NO.