

OFFSET BLOCK DETAIL CHART FOR NW (SDWK) & SE (CURB) APPROACHES

OFFSET BLOCK MTG. DIMENSIONS									BEV
POST No.	QTY.	A	B	C	D	E	F (O.C.)	LGTH	X
AP8	1	1 7/8"	1'-1 1/16"	2'-1 5/8"	5/8"	1 1/4"	2'-4 5/8"	2'-4 15/16"	1
AP9	1	1 7/8"	10 15/16"	1'-10 13/16"	5/8"	1 1/4"	2'-1 9/16"	2'-1 7/8"	1
AP10	1	1 7/8"	8 13/16"	1'-8 1/16"	5/8"	1 1/4"	1'-10 3/4"	1'-11 1/16"	1
AP11	1	1 7/8"	6 3/4"	1'-5 5/16"	5/8"	1 1/4"	1'-8"	1'-8 5/16"	1
AP22	1	1 3/4"	1'-2 1/16"	2'-7 5/16"	5/16"	1 3/8"	2'-10 3/16"	2'-10 5/16"	9/16
AP23	1	1 3/4"	1'-1 13/16"	2'-5 7/8"	5/16"	1 3/8"	2'-8 3/4"	2'-8 7/8"	9/16
AP24	1	1 3/4"	1'-1 9/16"	2'-4 7/16"	5/16"	1 3/8"	2'-7 5/16"	2'-7 7/16"	9/16
AP25	1	1 3/4"	1'-1 5/16"	2'-3"	5/16"	1 3/8"	2'-5 7/8"	2'-6"	9/16

OFFSET BLOCK ~ RAIL MTG. DIMENSIONS

POST No.	OFFSET BLOCK	H	J	K	L	M	N
AP8	OB8	1"	1'-0 1/8"	2'-0 3/4"	7/8"	11 11/16"	2'-0 3/16"
AP9	OB9	1"	10"	1'-10"	7/8"	9 9/16"	1'-9 7/16"
AP10	OB10	1"	7 15/16"	1'-7 3/16"	7/8"	7 7/16"	1'-8 5/8"
AP11	OB11	1"	5 13/16"	1'-4 7/16"	7/8"	5 3/8"	1'-3 7/8"
AP22	OB22	1"	1'-1 1/8"	2'-6 1/2"	7/8"	1'-1"	2'-6 3/16"
AP23	OB23	1"	1'-0 7/8"	2'-5 1/16"	7/8"	1'-0 3/4"	2'-4 3/4"
AP24	OB24	1"	1'-0 5/8"	2'-3 5/8"	7/8"	1'-0 1/2"	2'-3 5/16"
AP25	OB25	1"	1'-0 3/8"	2'-2 3/16"	7/8"	1'-0 1/4"	2'-1 7/8"

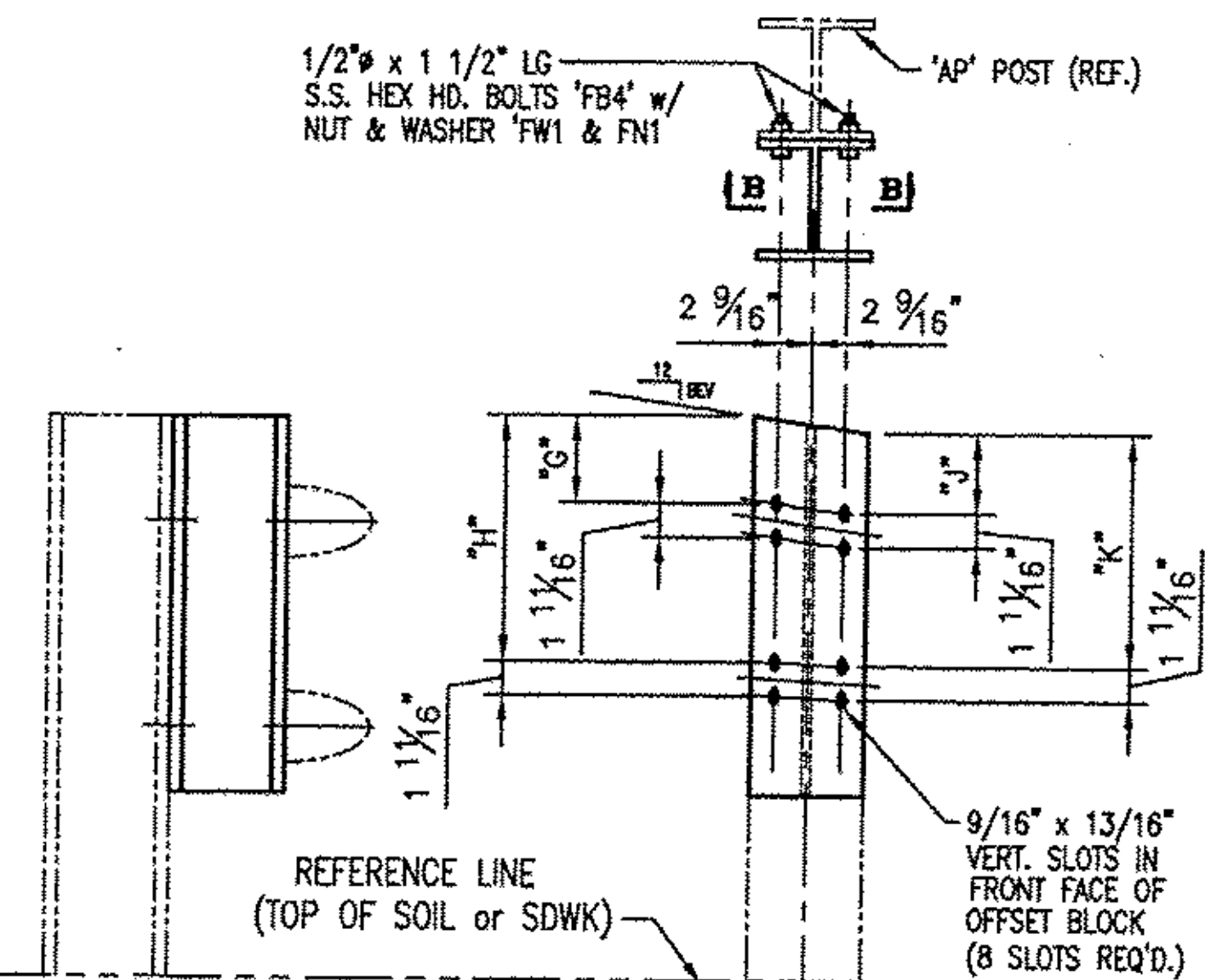
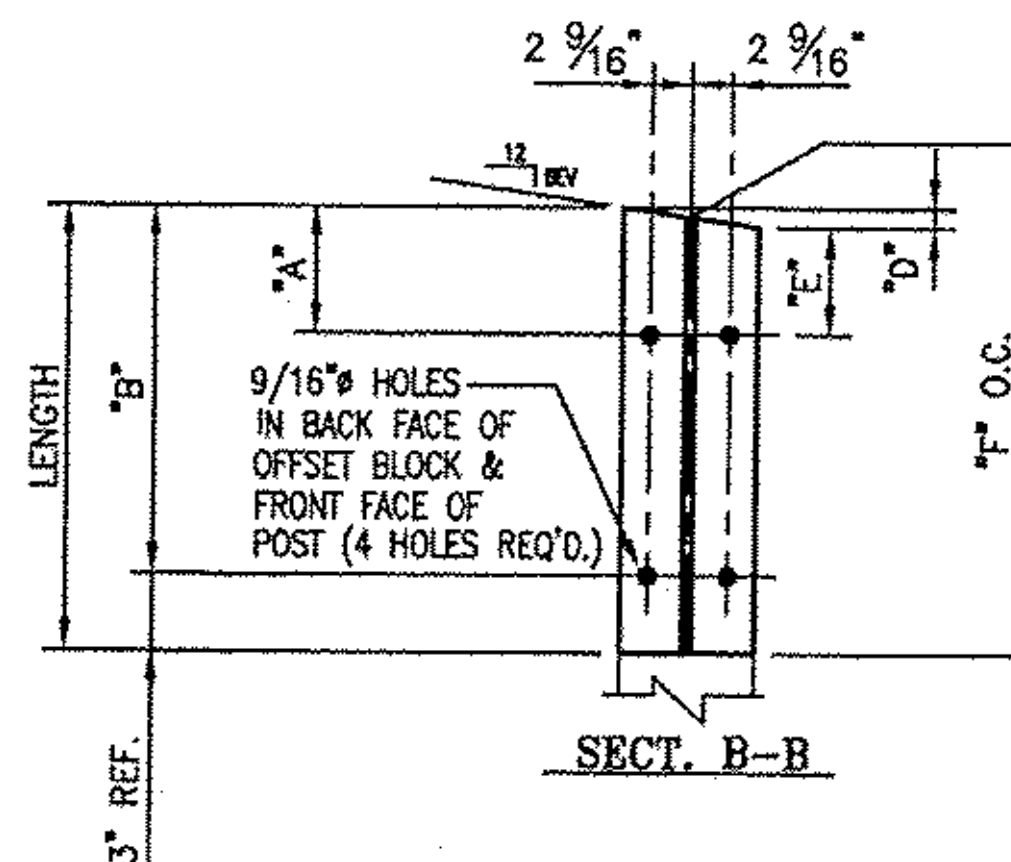
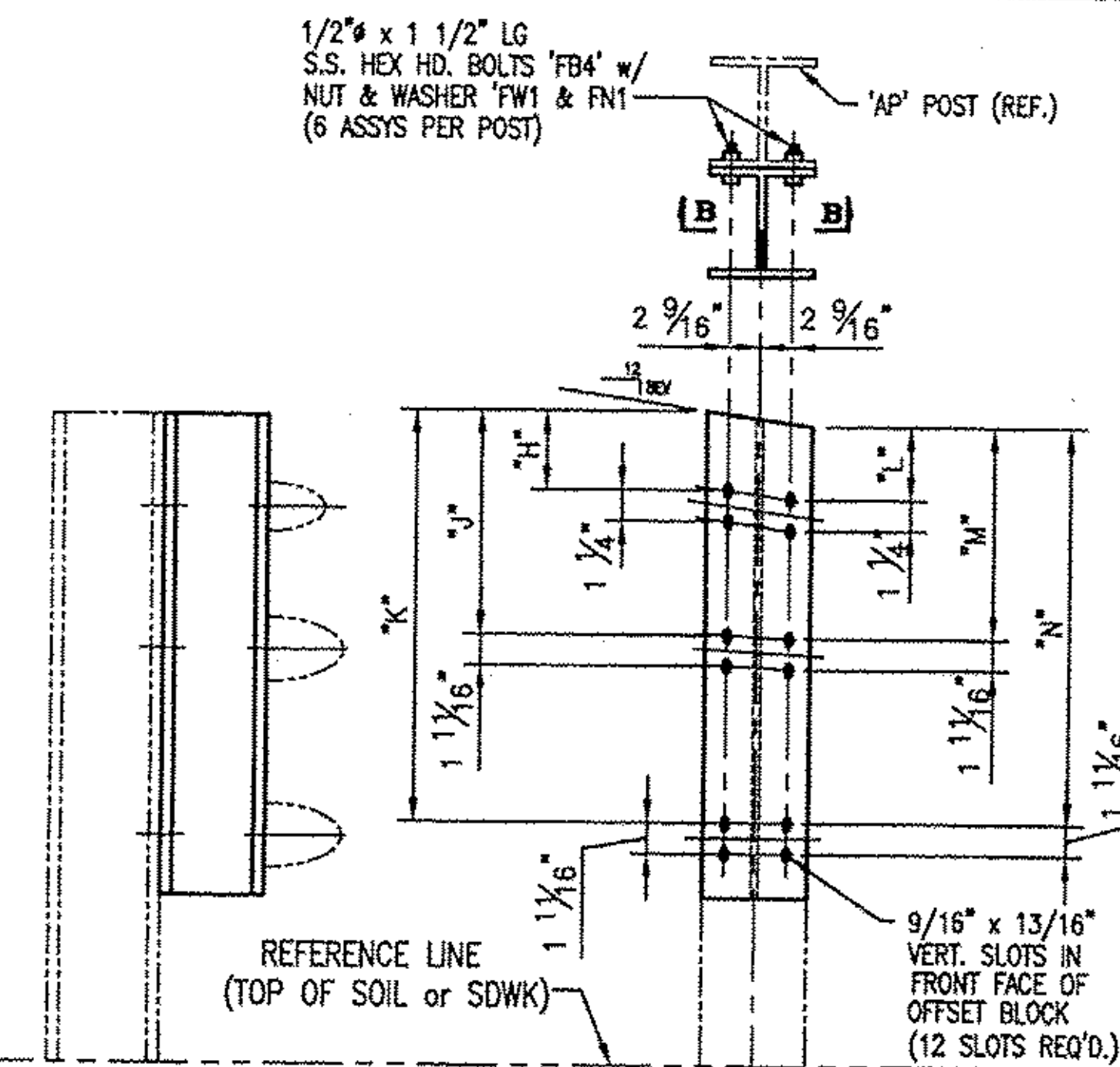
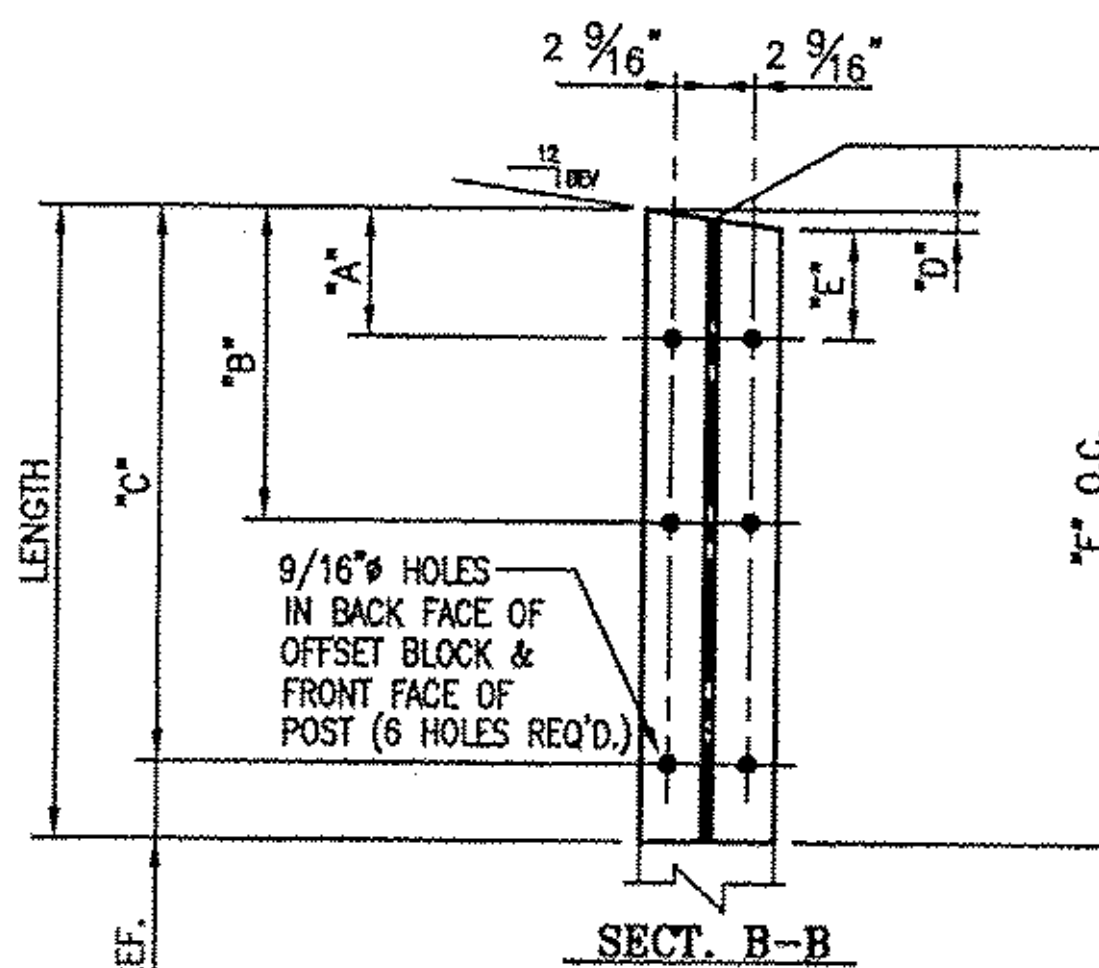
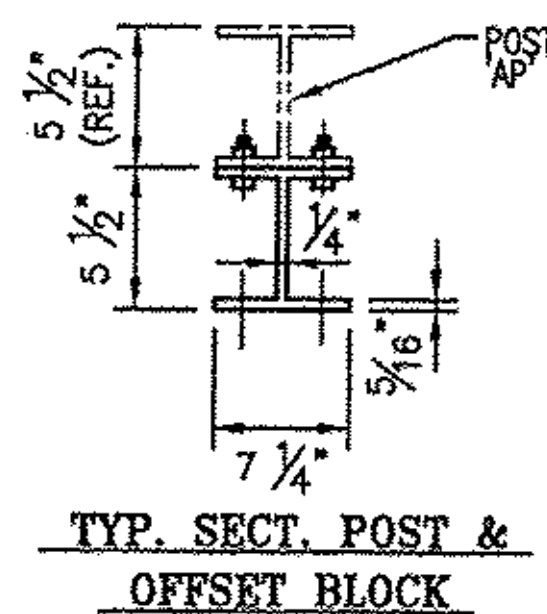
OFFSET BLOCK DETAIL CHART FOR NW (SDWK) & SE (CURB) APPROACHES

OFFSET BLOCK MTG. DIMENSIONS								BEV
POST No.	QTY.	A	B	LGTH	D	E	F (O.C.)	X
AP12	1	2 1/8"	11 3/4"	1'-2 3/4"	3/16"	1 7/8"	1'-2 11/16"	5/16
AP13	1	2 1/8"	10 7/8"	1'-1 7/8"	3/16"	1 7/8"	1'-1 3/4"	5/16
AP14	1	2 1/8"	9 15/16"	1'-0 15/16"	3/16"	1 7/8"	1'-0 7/8"	5/16
AP26	1	2 1/8"	1'-2 1/4"	1'-5 1/4"	1/4"	1 7/8"	1'-5 1/8"	7/16
AP27	1	2 1/8"	1'-0 11/16"	1'-3 5/8"	1/4"	1 7/8"	1'-3 1/2"	7/16
AP28	1	2 1/8"	11 1/16"	1'-2 1/16"	1/4"	1 7/8"	1'-1 15/16"	7/16

OFFSET BLOCK ~ RAIL MTG. DIMENSIONS

POST No.	OFFSET BLOCK	G	H	J	K
AP12	OB12	1 3/16"	10 7/8"	1 1/8"	10 3/4"
AP13	OB13	1 3/16"	10"	1 1/8"	9 7/8"
AP14	OB14	1 3/16"	9 1/8"	1 1/8"	8 15/16"
AP26	OB26	1 3/16"	1'-1 3/8"	1 1/8"	1'-1 1/8"
AP27	OB27	1 3/16"	11 13/16"	1 1/8"	11 9/16"
AP28	OB28	1 3/16"	10 1/4"	1 1/8"	10"

NOTE:
 4 CLAMPING BARS CB-03-A (#19447) PER POSTS
 AP12-AP14, AP26-AP28
 w/ 1/2"Ø-13 UNC
 S.S. BOLT x 1" LG. 'FB1',
 1 1/16" O.D. x 17/32"
 I.D. x 3/32" THK. ALUM
 WASHER 'FW1'
 (#15280 & # 19404)
 (8 PER POST)



NOTE:
 2 CLAMPING BARS CB-01-H (#28596) PER POSTS
 AP8-AP11, AP22-AP25
 4 CLAMPING BARS CB-03-A (#19447) PER POSTS
 AP8-AP11, AP22-AP25
 w/ 1/2"Ø-13 UNC
 S.S. BOLT x 1" LG. 'FB1',
 1 1/16" O.D. x 17/32"
 I.D. x 3/32" THK. ALUM
 WASHER 'FW1'
 (#15280 & # 19404)
 (12 PER POST)

RECEIVED
 OK'D BY *WBP* OK'D BY *SSS*
 OCT 24 2011
 RESUBMIT _____ APPROVED ✓
 BY _____ DATE 11/1/2011

BRIDGE No. 15
 PROJECT No. BRP 022-1 (14)
 ITEM No: 621.74

LB Foster L.B. FOSTER COMPANY
 Fabricated Bridge Products 1016 GREENTREE RD.
 PITTSBURGH, PA 15220

FOR: F. R. LAFAYETTE, INC.
 VERMONT AGENCY OF TRANSPORTATION
 TOWN OF BETHEL, WINDSOR COUNTY, VT
 3-LINE ALUMINUM APPROACH RAIL FOR VT ROUTE 7
 (MINOR ARTERIAL) - APPROACH OFFSET BLOCK DETAILS

MADE CMS DATE 09/15/11 JOB NO. ARO700

CHECK Dd DATE 10/14/11 DRAWING LBJ20

REV.	DESCRIPTION	BY	DATE