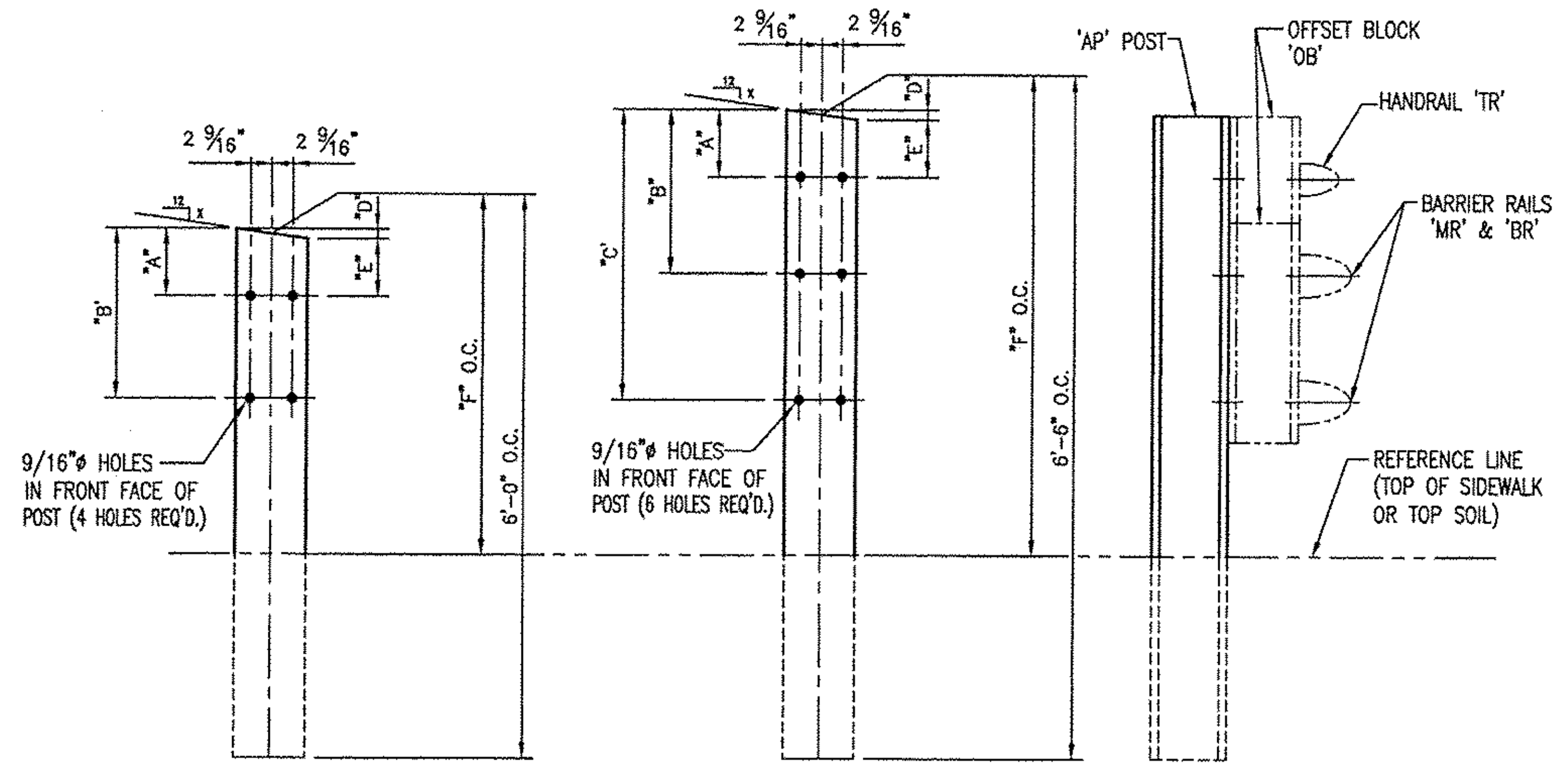


POST DETAIL CHART FOR NW SIDEWALK APPROACH

		OFFSET BLOCK MTG. DIMENSIONS							BEV
POST No.	QTY.	A	B	C	D	E	F (O.C.)	X	
AP8	1	1 7/8"	1'-1 1/16"	2'-1 5/8"	5/8"	1 1/4"	3'-4 7/8"	1	
AP9	1	1 7/8"	10 15/16"	1'-10 13/16"	5/8"	1 1/4"	3'-2 15/16"	1	
AP10	1	1 7/8"	8 13/16"	1'-8 1/16"	5/8"	1 1/4"	3'-0 15/16"	1	
AP11	1	1 7/8"	6 3/4"	1'-5 5/16"	5/8"	1 1/4"	2'-10 5/8"	1	
AP12	1	2 1/8"	11 3/4"		3/16"	1 7/8"	2'-5 1/8"	5/16	
AP13	1	2 1/8"	10 7/8"		3/16"	1 7/8"	2'-4 1/16"	5/16	
AP14	1	2 1/8"	9 15/16"		3/16"	1 7/8"	2'-3"	5/16	

POST DETAIL CHART FOR SE CURB APPROACH

		OFFSET BLOCK MTG. DIMENSIONS							BEV
POST No.	QTY.	A	B	C	D	E	F (O.C.)	X	
AP22	1	1 3/4"	1'-2 1/16"	2'-7 5/16"	5/16"	1 3/8"	3'-5 13/16"	9/16	
AP23	1	1 3/4"	1'-1 13/16"	2'-5 7/8"	5/16"	1 3/8"	3'-5 1/4"	9/16	
AP24	1	1 3/4"	1'-1 9/16"	2'-4 7/16"	5/16"	1 3/8"	3'-4 11/16"	9/16	
AP25	1	1 3/4"	1'-1 5/16"	2'-3"	5/16"	1 3/8"	3'-4 1/16"	9/16	
AP26	1	2 1/8"	1'-2 1/4"		1/4"	1 7/8"	2'-4 1/2"	7/16	
AP27	1	2 1/8"	1'-0 11/16"		1/4"	1 7/8"	2'-4"	7/16	
AP28	1	2 1/8"	11 1/16"		1/4"	1 7/8"	2'-3 9/16"	7/16	

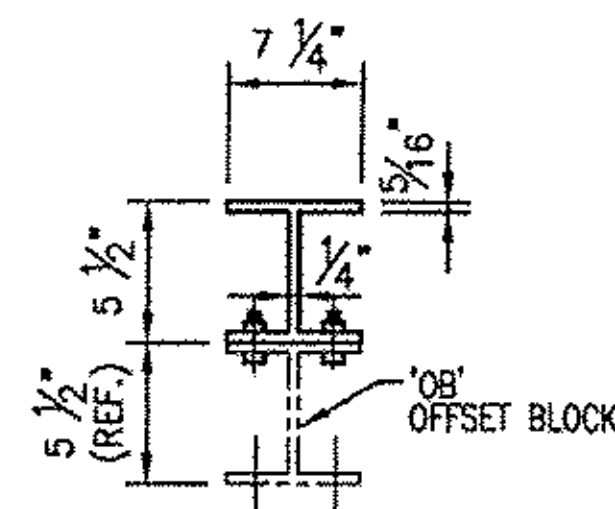


FRT ELEV VIEW

AP12 - AP14  
AP26 - AP28

FRT ELEV VIEW

AP8 - AP11  
AP22 - AP25



TYP. SECT. POST &  
OFFSET BLOCK

RECEIVED  
 CK'D BY WBP OK'D BY SSS  
 OCT 24 2011  
 RESUBMIT \_\_\_\_\_ APPROVED   
 BY \_\_\_\_\_ DATE 11/1/2011

BRIDGE No. 15  
 PROJECT No. BR 022-1 (14) ITEM No: 621.74

**LB Foster** L.B. FOSTER COMPANY  
 Fabricated Bridge Products 1016 GREENTREE RD.  
 PITTSBURGH, PA 15220

FOR: F. R. LAFAYETTE, INC.  
 VERMONT AGENCY OF TRANSPORTATION  
 TOWN OF BETHEL, WINDSOR COUNTY, VT  
 3-LINE ALUMINUM APPROACH RAIL FOR VT ROUTE 7  
 (MINOR ARTERIAL) - APPROACH POST DETAILS

REV.	DESCRIPTION	BY	DATE	CHECKED	DATE	DRAWING	REV. NO.
					10/14/11	LB18	

MADE CMS DATE 09/15/11 JOB NO. ARO700