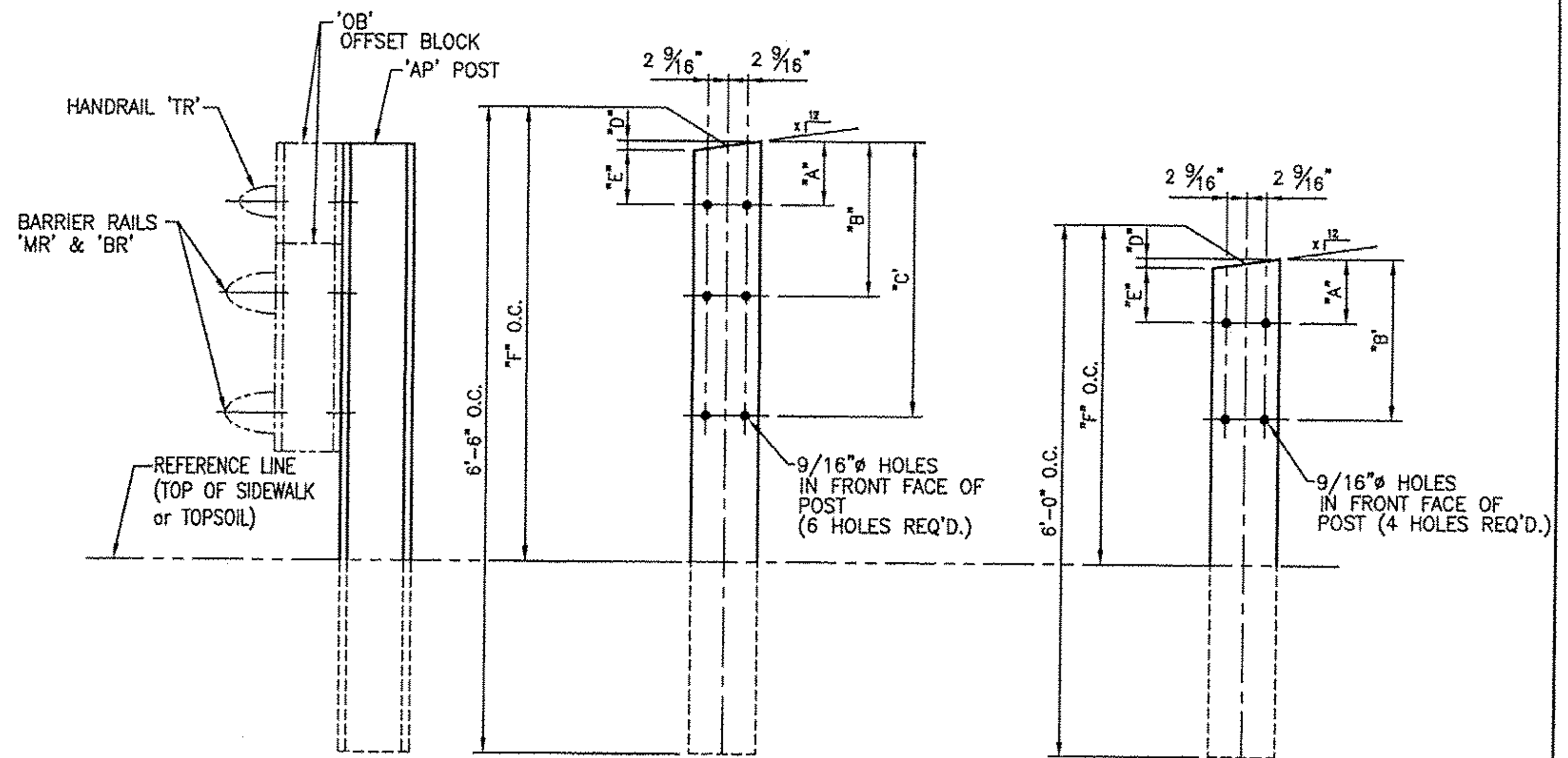


POST DETAIL CHART SW SIDEWALK APPROACH

		OFFSET BLOCK MTG. DIMENSIONS						BEV
POST No.	QTY.	A	B	C	D	E	F (O.C.)	X
AP1	1	1 15/16"	1'-1 3/8"	2'-2"	3/4"	1 3/16"	3'-4 15/16"	1 3/16
AP2	1	1 15/16"	11 11/16"	1'-11 11/16"	3/4"	1 3/16"	3'-2 13/16"	1 3/16
AP3	1	1 15/16"	10"	1'-9 3/8"	3/4"	1 3/16"	3'-0 3/4"	1 3/16
AP4	1	1 15/16"	8 5/16"	1'-7 1/16"	3/4"	1 3/16"	2'-10 11/16"	1 3/16
AP5	1	2 3/16"	1'-0 1/8"		3/8"	1 13/16"	2'-4 3/16"	11/16
AP6	1	2 3/16"	11 5/16"		3/8"	1 13/16"	2'-3 11/16"	11/16
AP7	1	2 3/16"	10 7/16"		3/8"	1 13/16"	2'-3 1/8"	11/16

POST DETAIL CHART FOR NE CURB APPROACH

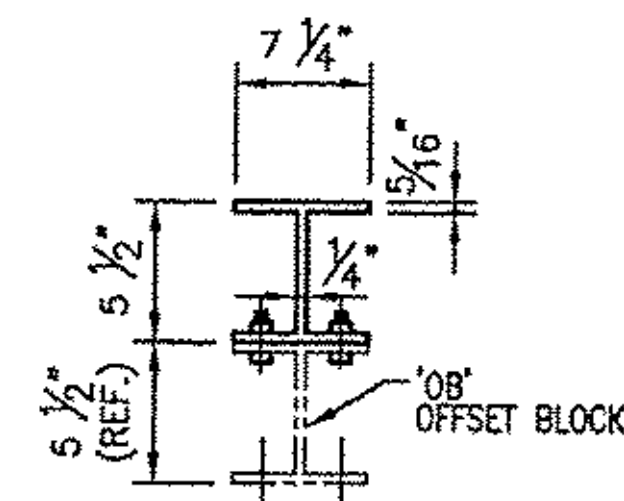
		OFFSET BLOCK MTG. DIMENSIONS						BEV
POST No.	QTY.	A	B	C	D	E	F (O.C.)	X
AP15	1	1 3/4"	1'-1 13/16"	2'-7"	5/16"	1 3/8"	3'-5 13/16"	1/2
AP16	1	1 3/4"	1'-1 1/4"	2'-5 1/8"	5/16"	1 3/8"	3'-5 3/8"	1/2
AP17	1	1 3/4"	1'-0 5/8"	2'-3 3/16"	5/16"	1 3/8"	3'-4 7/8"	1/2
AP18	1	1 3/4"	1'-0"	2'-1 15/16"	5/16"	1 3/8"	3'-4 1/16"	1/2
AP19	1	2 1/8"	1'-1 5/8"		3/16"	1 7/8"	2'-5 1/8"	5/16
AP20	1	2 1/8"	11 15/16"		3/16"	1 7/8"	2'-4 1/16"	5/16
AP21	1	2 1/8"	10 3/16"		3/16"	1 7/8"	2'-3"	5/16



FRT VIEW
AP1 - AP4
AP15 - AP18

FRT VIEW
AP5 - AP7
AP19 - AP21

RECEIVED
CK'D BY WBP OK'D BY SSS
OCT 24 2011
RESUBMIT _____ APPROVED
BY _____ DATE 11/1/2011



TYP. SECT. POST &
OFFSET BLOCK

BRIDGE No. 15 PROJECT No. BR 022-1 (14) ITEM No: 621.74

LB Foster
Fabricated Bridge Products
L.B. FOSTER COMPANY
1016 GREENTREE RD.
PITTSBURGH, PA 15220

FOR: F. R. LAFAYETTE, INC.
VERMONT AGENCY OF TRANSPORTATION
TOWN OF BETHEL, WINDSOR COUNTY, VT
3-LINE ALUMINUM APPROACH RAIL FOR VT ROUTE 7
(MINOR ARTERIAL) - APPROACH POST DETAILS

MADE CMS DATE 09/15/11 JOB NO. ARO700

CHECK Dd DATE 10/14/11 DRAWING LB17

REV.	DESCRIPTION	BY	DATE	REV. NO.