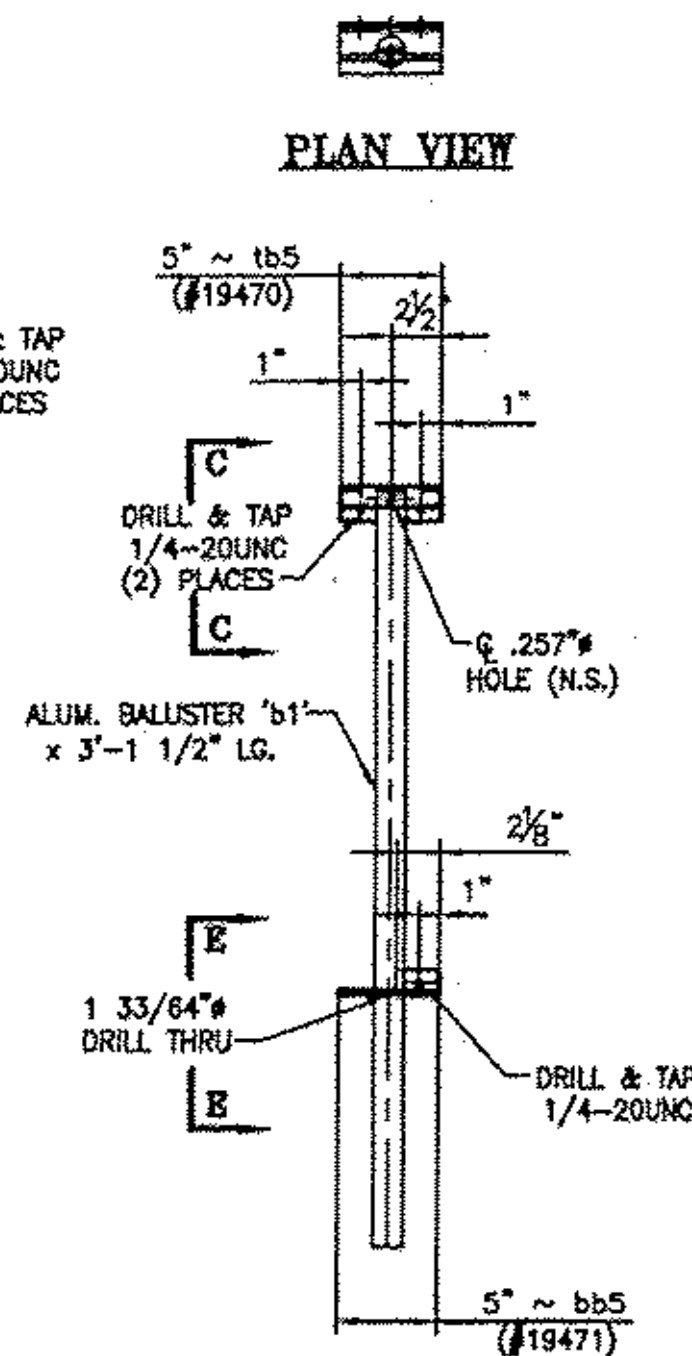
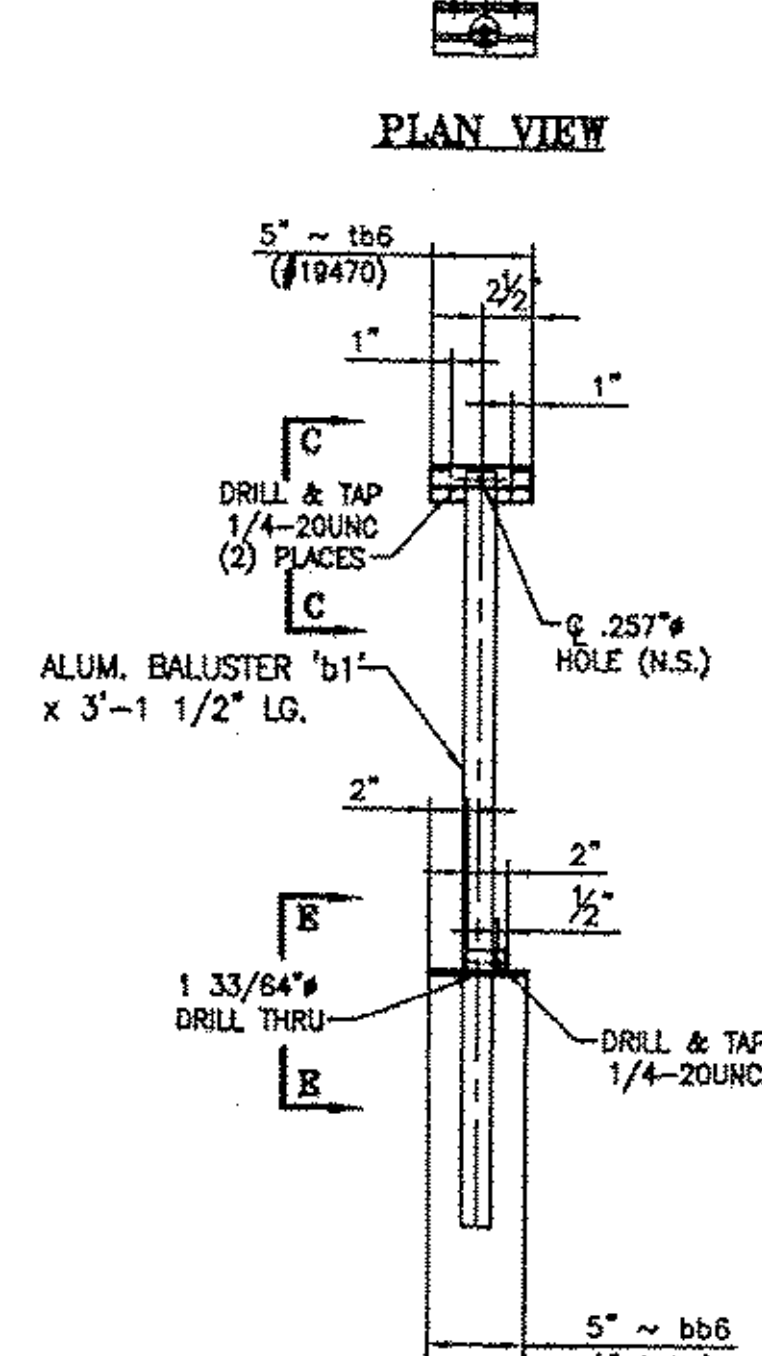


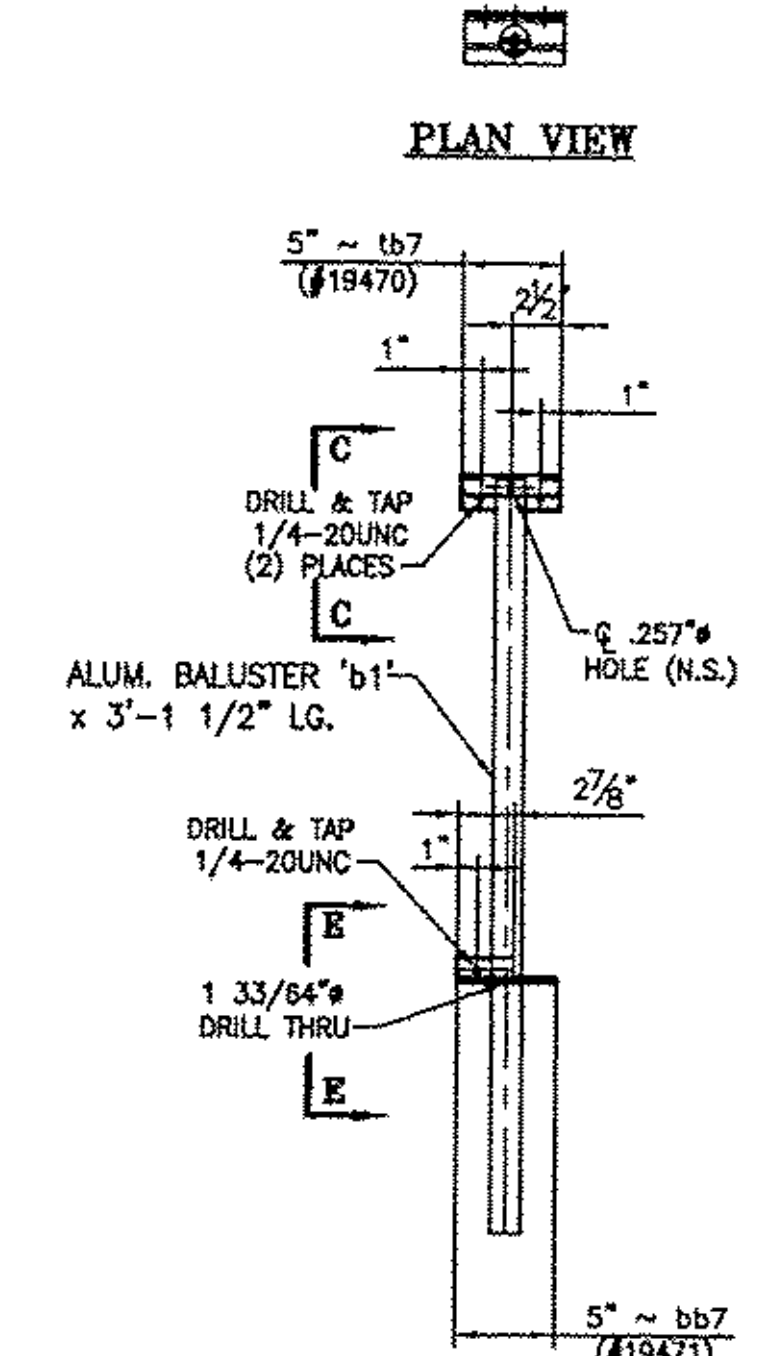
7 REQ'D. ~ BALUSTER PANEL ASSEMBLY 'BP11'  
(REAR ELEVATION VIEW)



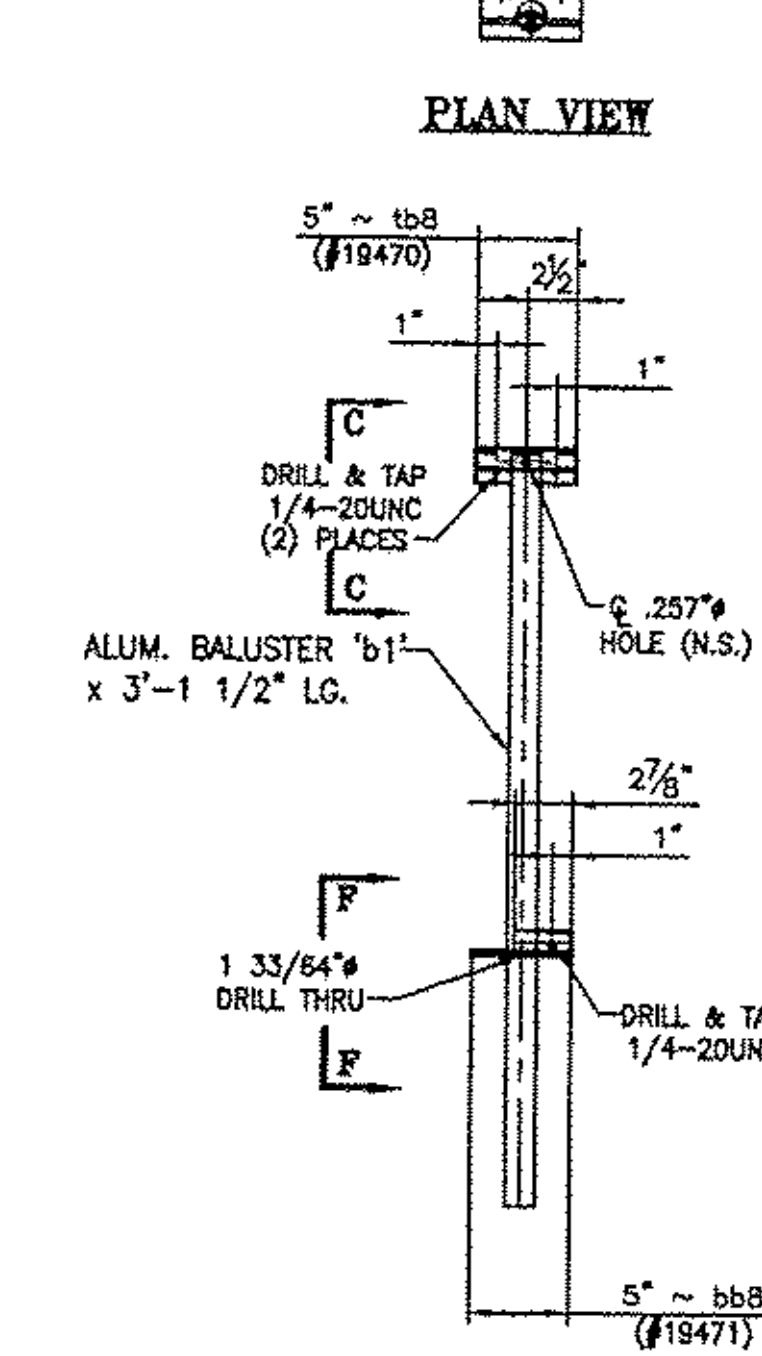
IND. BALUSTER 'BP5'  
5 REQ'D.  
(REAR ELEVATION VIEW)



IND. BALUSTER 'BP6'  
4 REQ'D.  
(REAR ELEVATION VIEW)

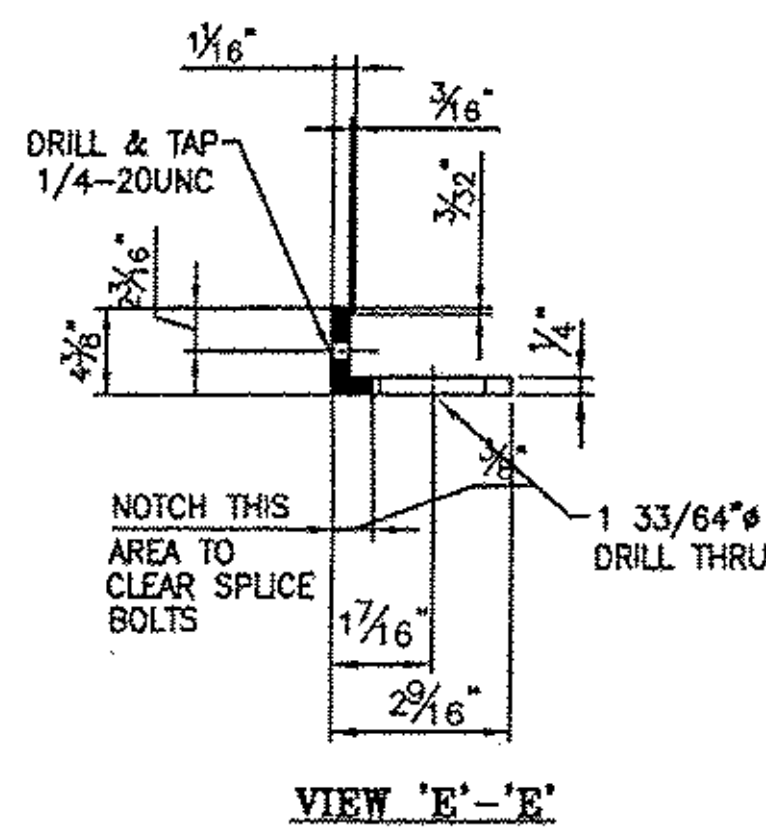


IND. BALUSTER 'BP7'  
4 REQ'D.  
(REAR ELEVATION VIEW)

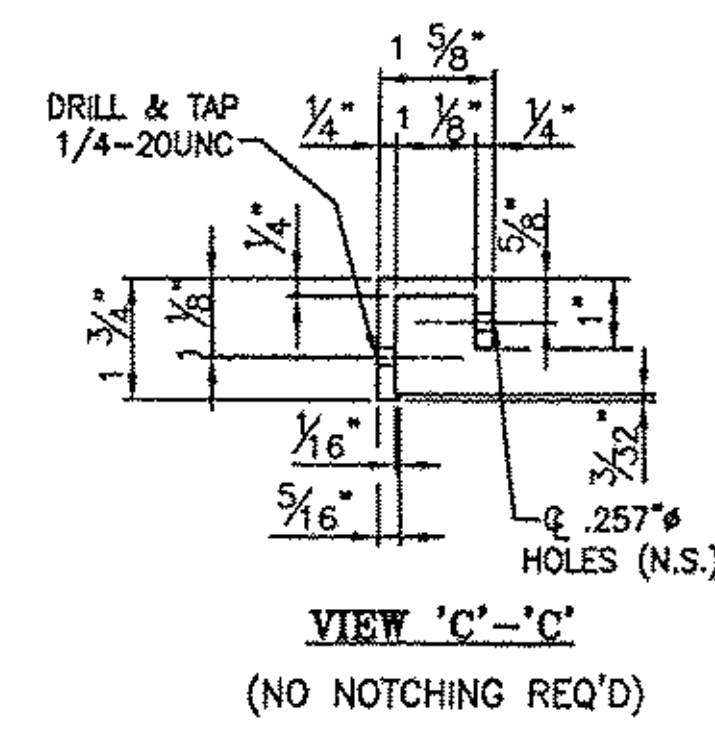


IND. BALUSTER 'BP8'  
4 REQ'D.  
(REAR ELEVATION VIEW)

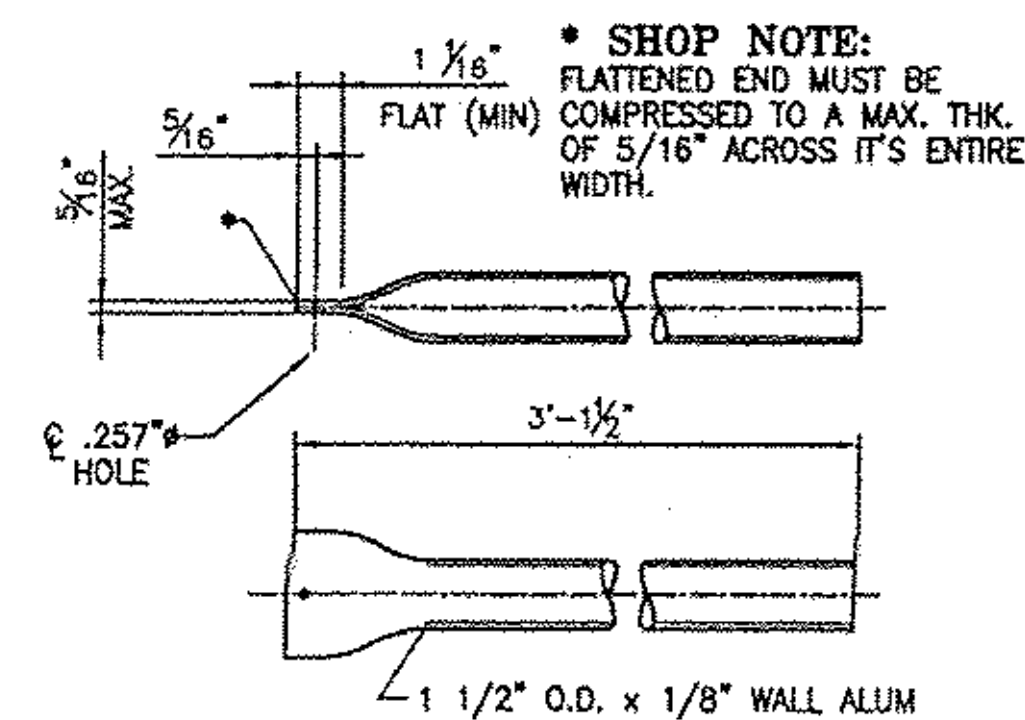
RECEIVED  
OCT 24 2011  
OK'D BY: WBP OK'D BY: SSS



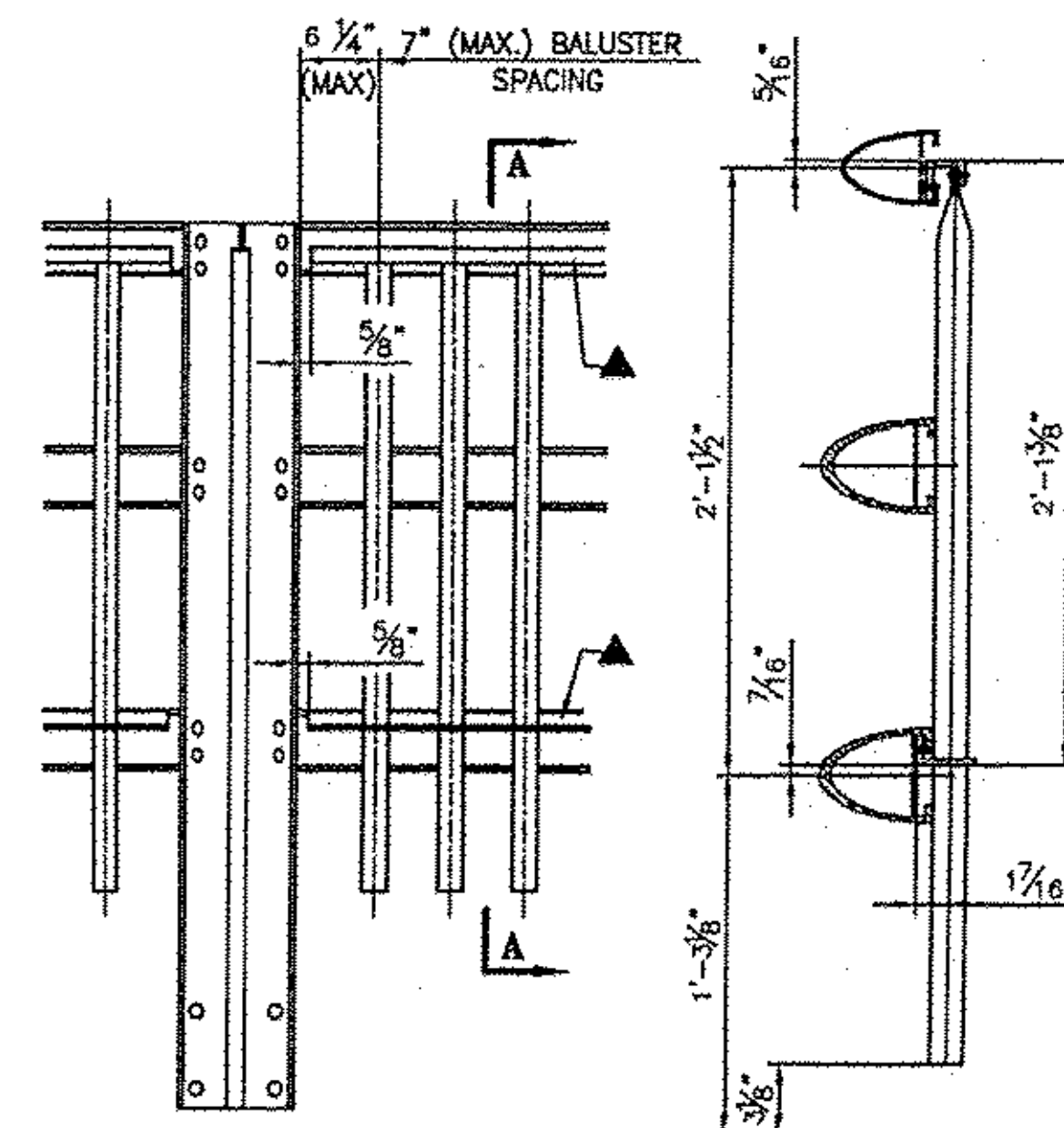
VIEW 'E'-'E'



VIEW 'C'-'C'  
(NO NOTCHING REQ'D)

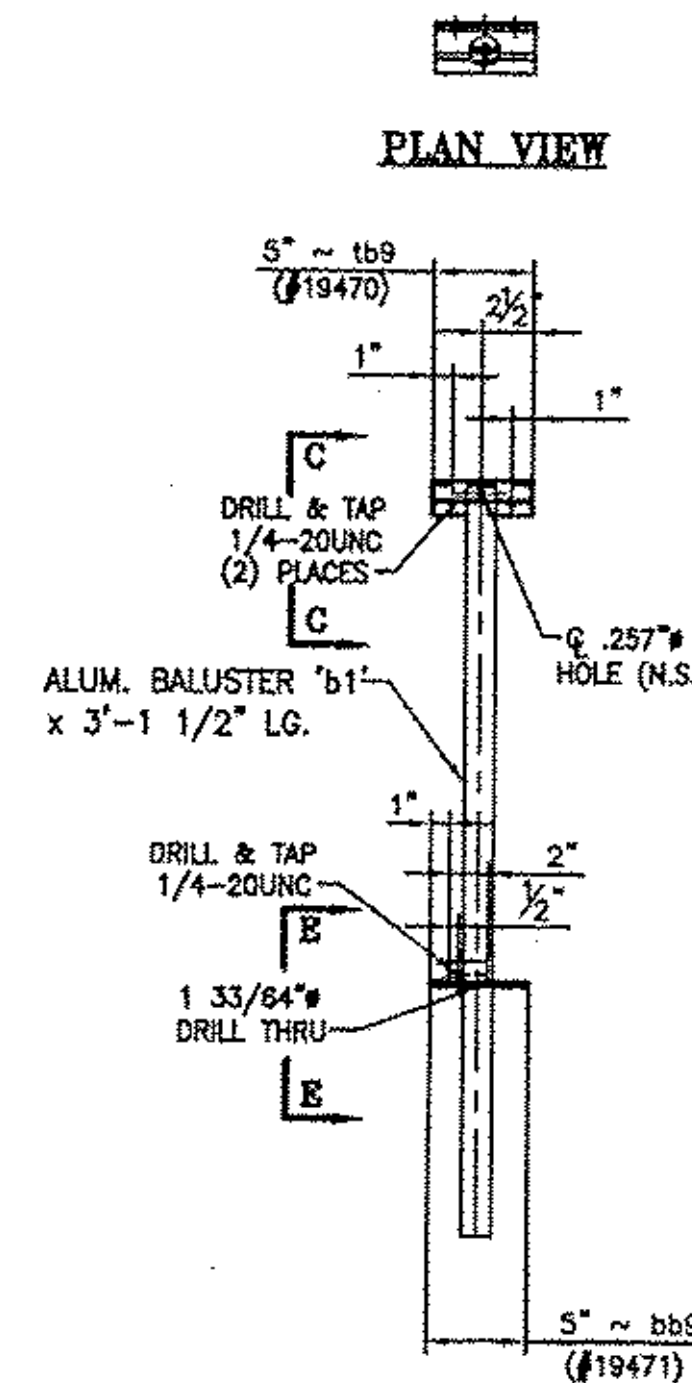


112 ~ REQ'D BALUSTERS 'b1'  
#19451

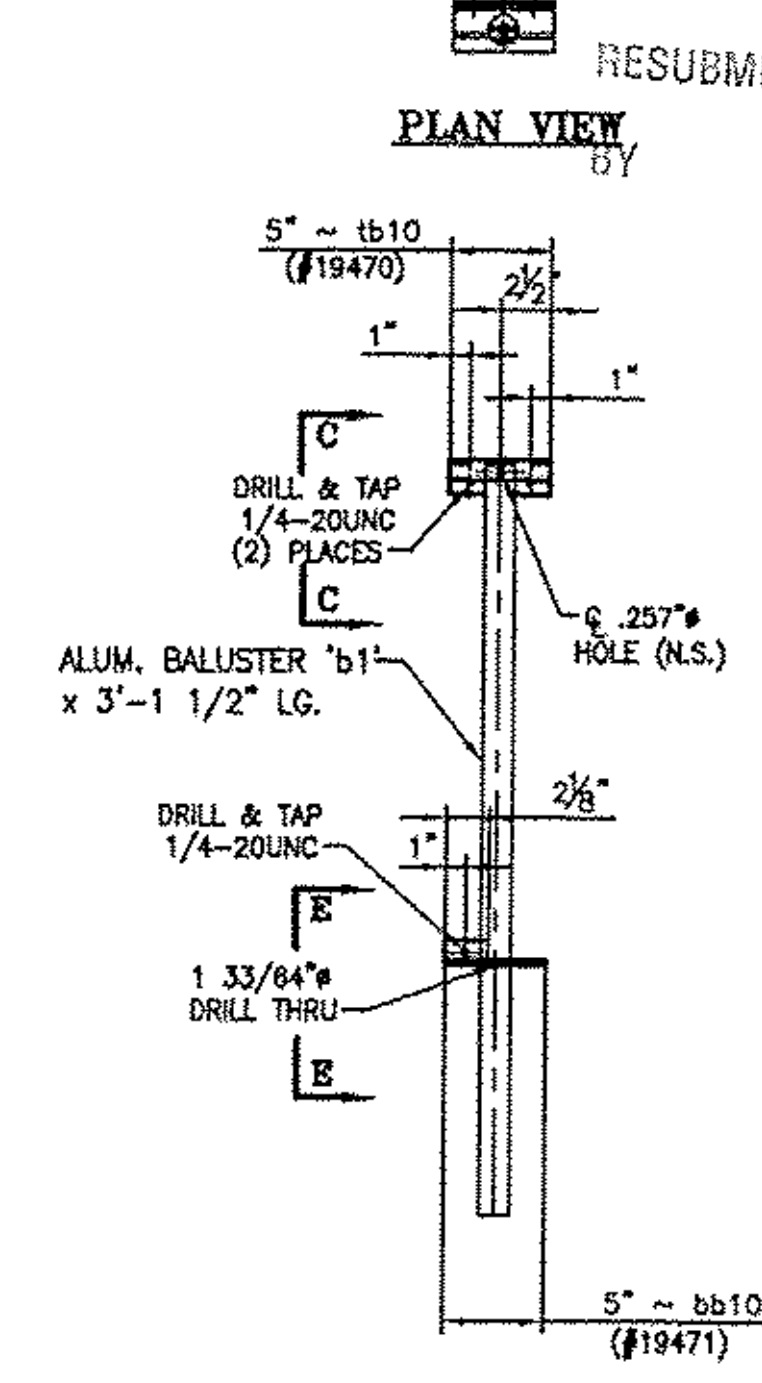


TYPICAL ELEVATION  
▲ 1/4-20 UNC S.S. SOCKET SET SCREW x 1/2" - 'SS1' (#22079) EVERY OTHER SPACE BETWEEN BALUSTERS IF POSSIBLE

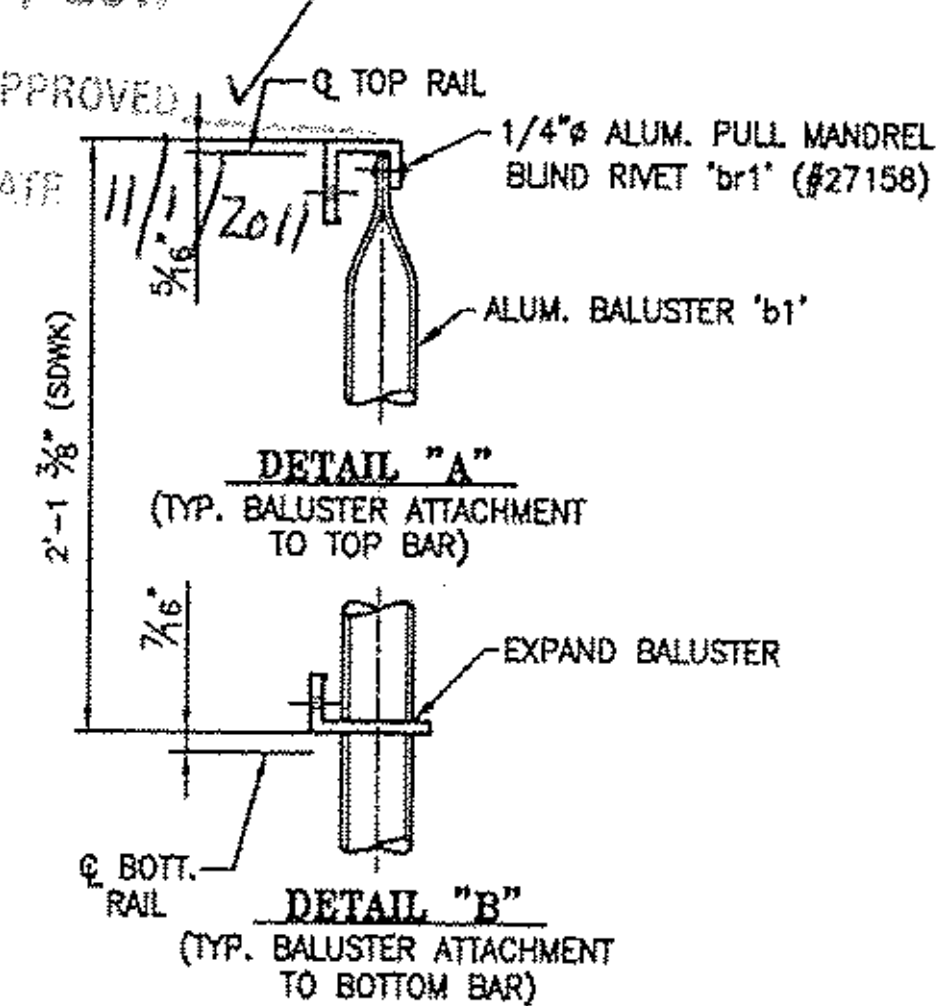
SECTION A-A



IND. BALUSTER 'BP9'  
5 REQ'D.  
(REAR ELEVATION VIEW)



IND. BALUSTER 'BP10'  
7 REQ'D.  
(REAR ELEVATION VIEW)



DETAIL "A"  
(TYP. BALUSTER ATTACHMENT TO TOP BAR)

DETAIL "B"  
(TYP. BALUSTER ATTACHMENT TO BOTTOM BAR)

REV.	DESCRIPTION	BY	DATE

BRIDGE No. 15 PROJECT No. BRF 022-1 (14) ITEM No: 525.23

**LB Foster**  
Fabricated Bridge Products  
L.B. FOSTER COMPANY  
1016 GREENTREE RD.  
PITTSBURGH, PA 15220

FOR: F. R. LAFAYETTE, INC.  
VERMONT AGENCY OF TRANSPORTATION  
TOWN OF BETHEL, WINDSOR COUNTY, VT  
3-LINE ALUMINUM BRIDGE RAIL FOR VT ROUTE 7  
(MINOR ARTERIAL)(SIDEWALK) - BALUSTER PANEL DETAILS

MADE CMS DATE 09/16/11 JOB NO. AR0700

CHECK Dd DATE 10/12/11 DRAWING LB12

REV. NO.