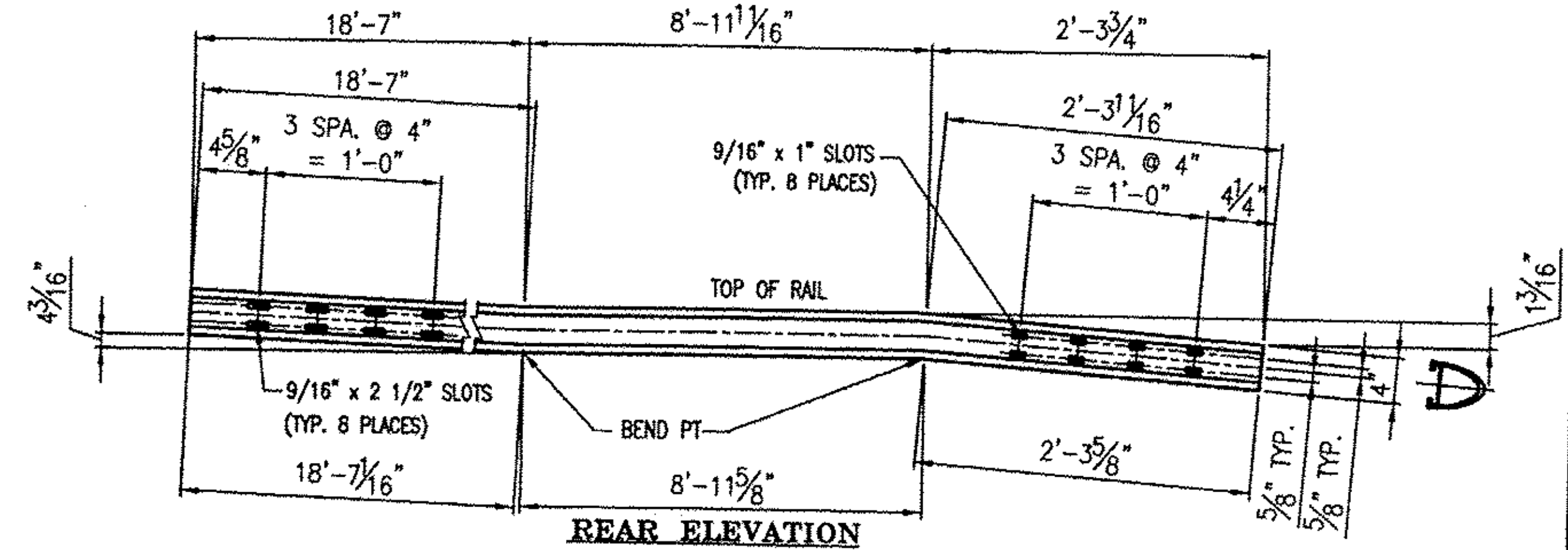
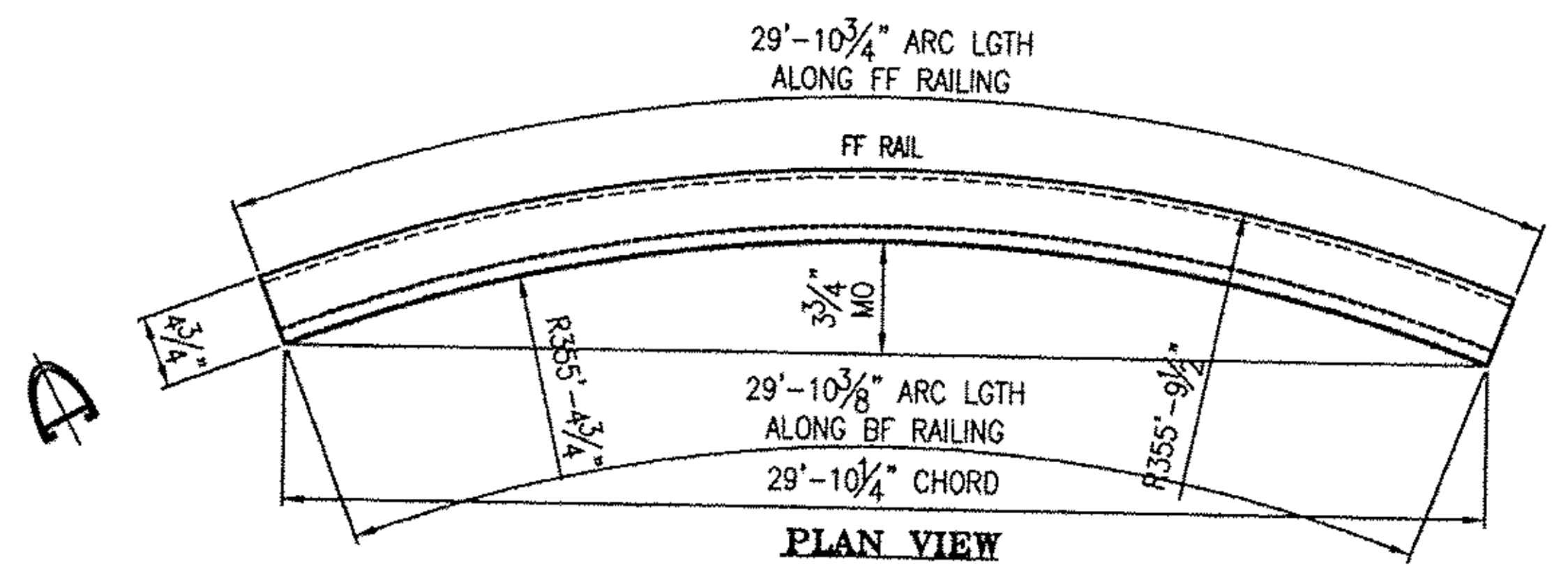
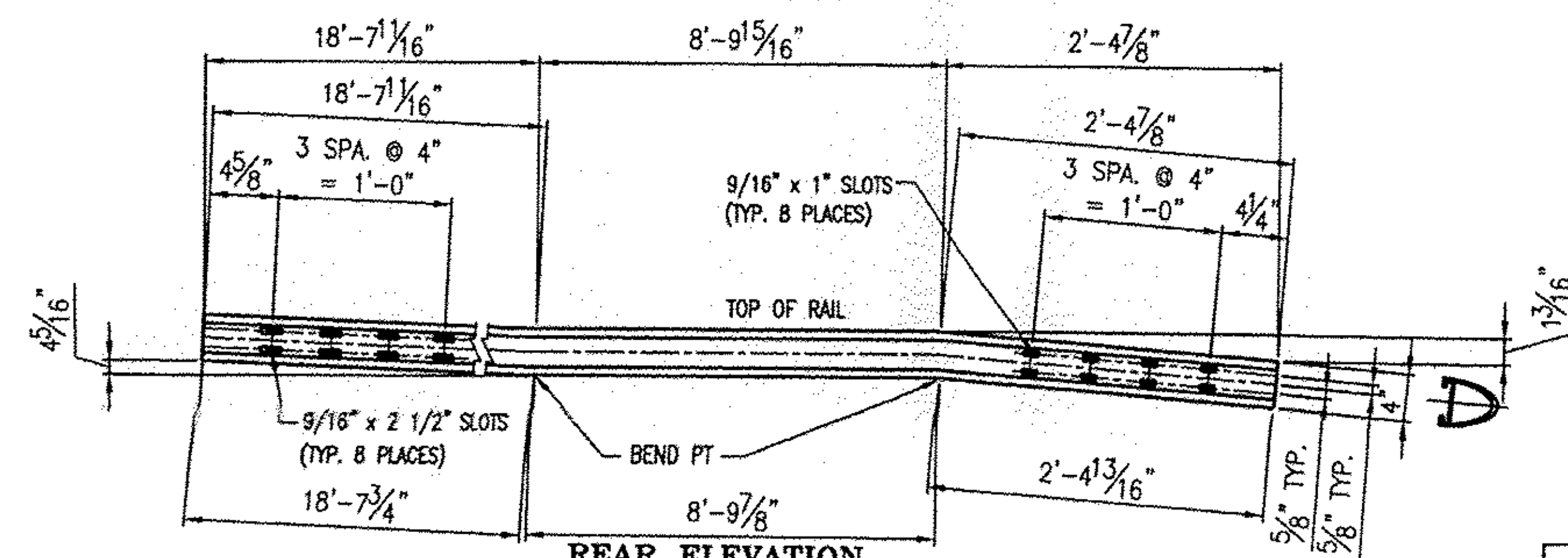
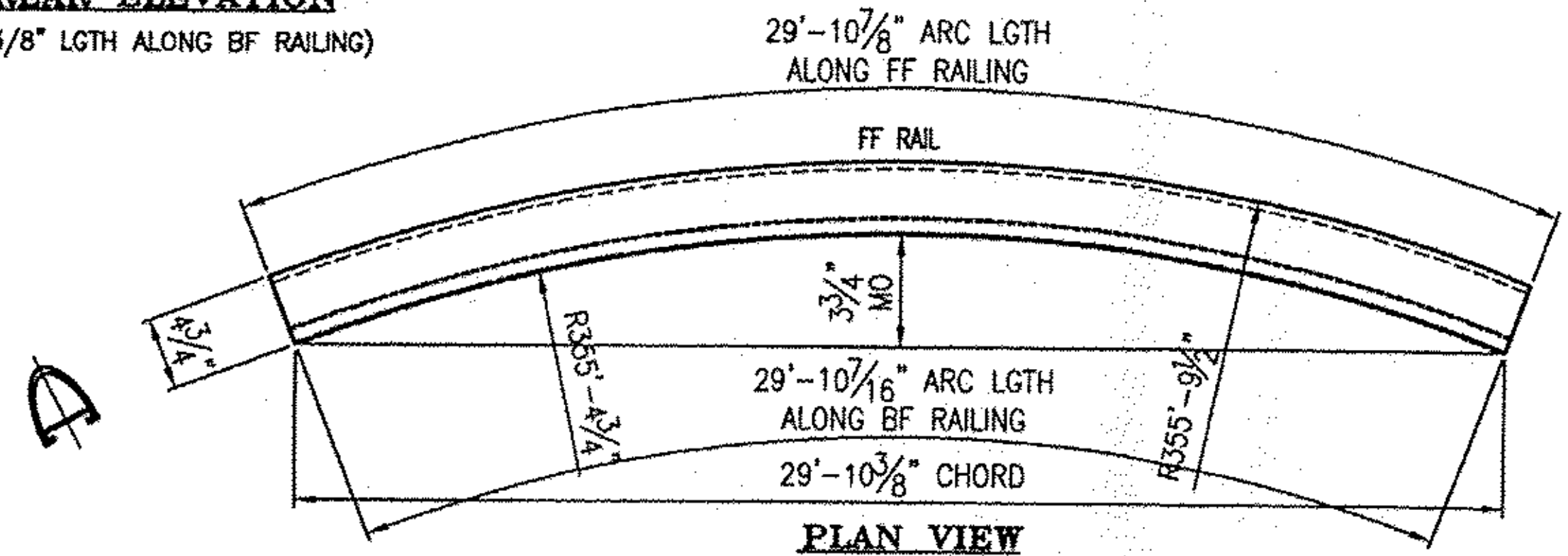


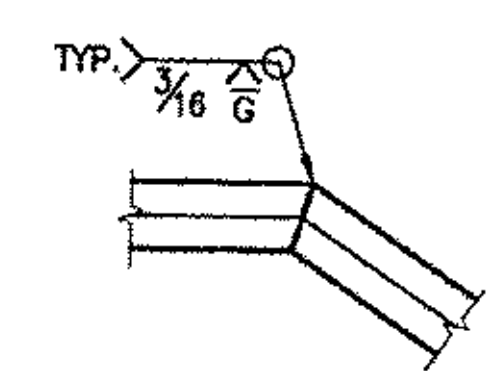
**ONE REQ'D ~ COMPOUND BENT TOP RAIL 'TA12'**  
**REAR ELEVATION**  
(29'-10 3/8" LGTH ALONG BF RAILING)



**ONE REQ'D ~ COMPOUND BENT MIDDLE RAIL 'MA12'**  
**REAR ELEVATION**  
(29'-10 3/8" LGTH ALONG BF RAILING)



**ONE REQ'D ~ COMPOUND BENT BOTTOM RAIL 'BA12'**  
**REAR ELEVATION**  
(29'-10 3/8" LGTH ALONG BF RAILING)



**TYPICAL WELD DETAIL**  
(OPTIONAL IF REQ'D.)

RECEIVED  
OK'D BY WBP OK'D BY SSS  
OCT 24 2011  
RESUBMIT \_\_\_\_\_ APPROVED   
BY \_\_\_\_\_ DATE 11/1/2011

BRIDGE No. 15  
PROJECT No. BRF 022-1 (14)  
ITEM No: 525.22  
**LB Foster** L.B. FOSTER COMPANY  
Fabricated Bridge Products 1016 GREENTREE RD.  
PITTSBURGH, PA 15220  
FOR: F. R. LAFAYETTE, INC.  
VERMONT AGENCY OF TRANSPORTATION  
TOWN OF BETHEL, WINDSOR COUNTY, VT  
3-LINE ALUMINUM BRIDGE RAIL FOR VT ROUTE 7  
(MINOR ARTERIAL)(CURBSIDE) - RAIL DETAILS

REV.	DESCRIPTION	BY	DATE

MADE CMS DATE 09/20/11 JOB NO. ARO700  
CHECK Dd DATE 10/12/11 DRAWING LBB  
REV. NO.