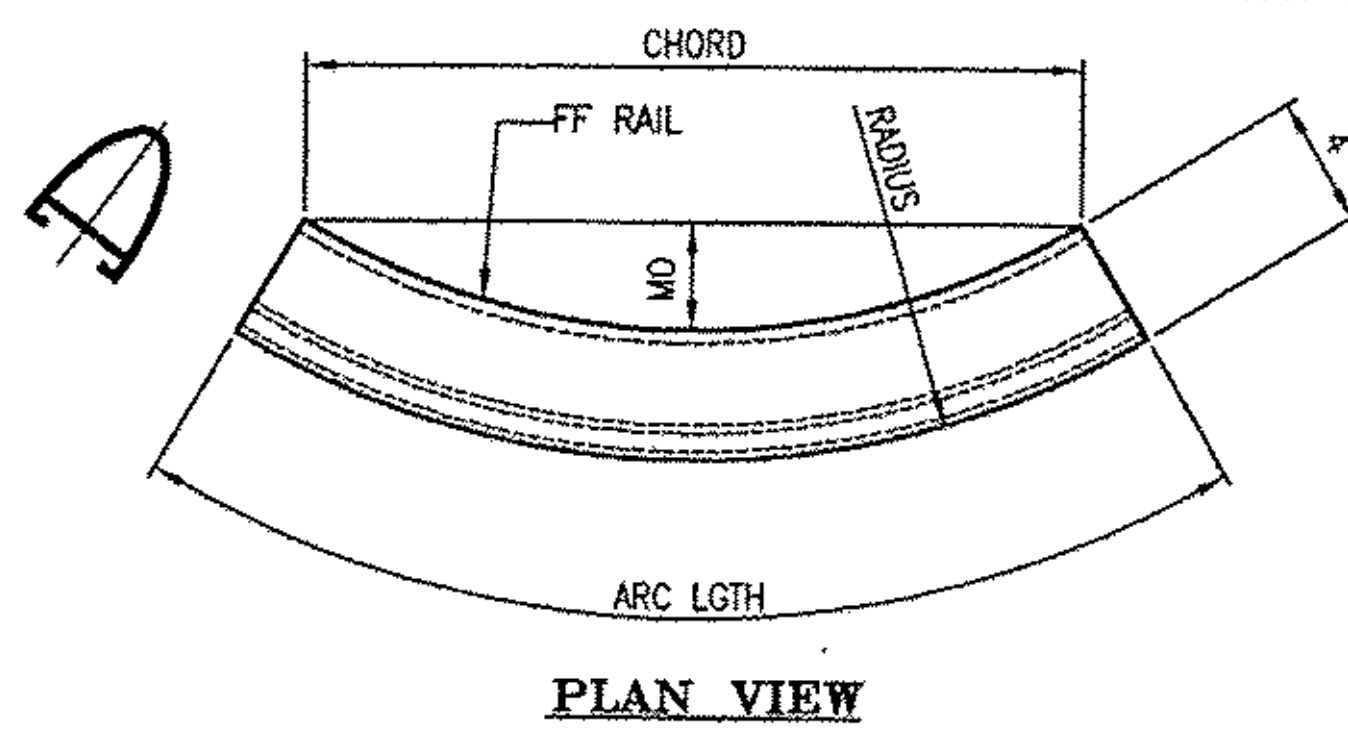
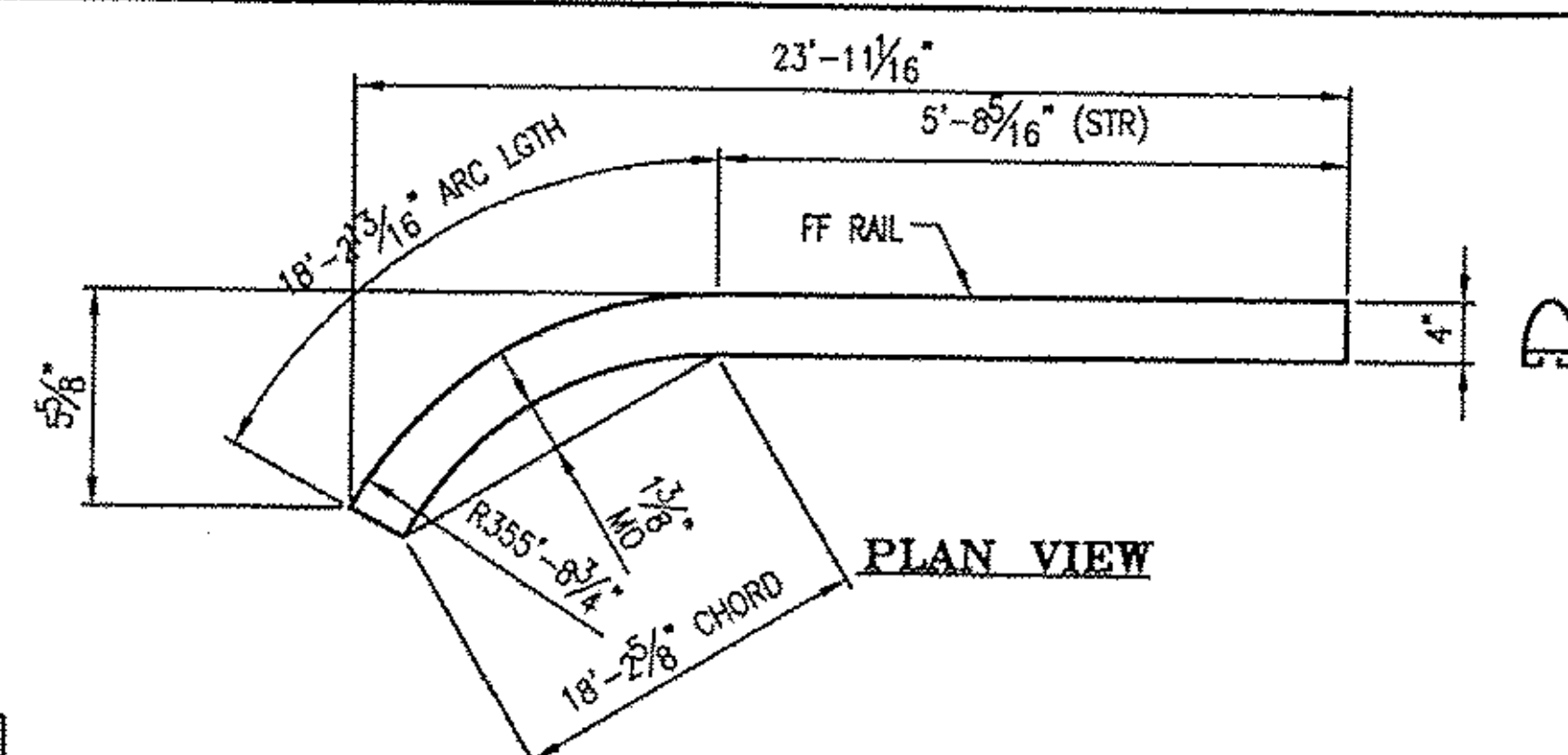


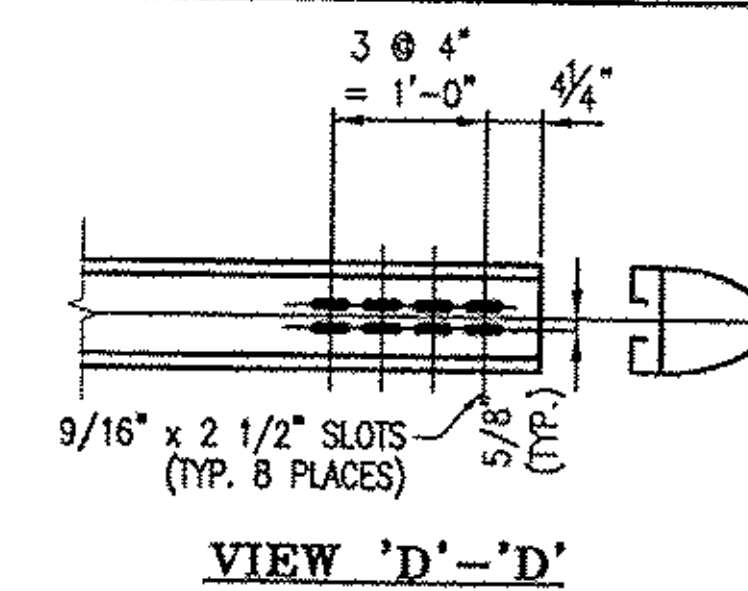
PLAN VIEW



PLAN VIEW

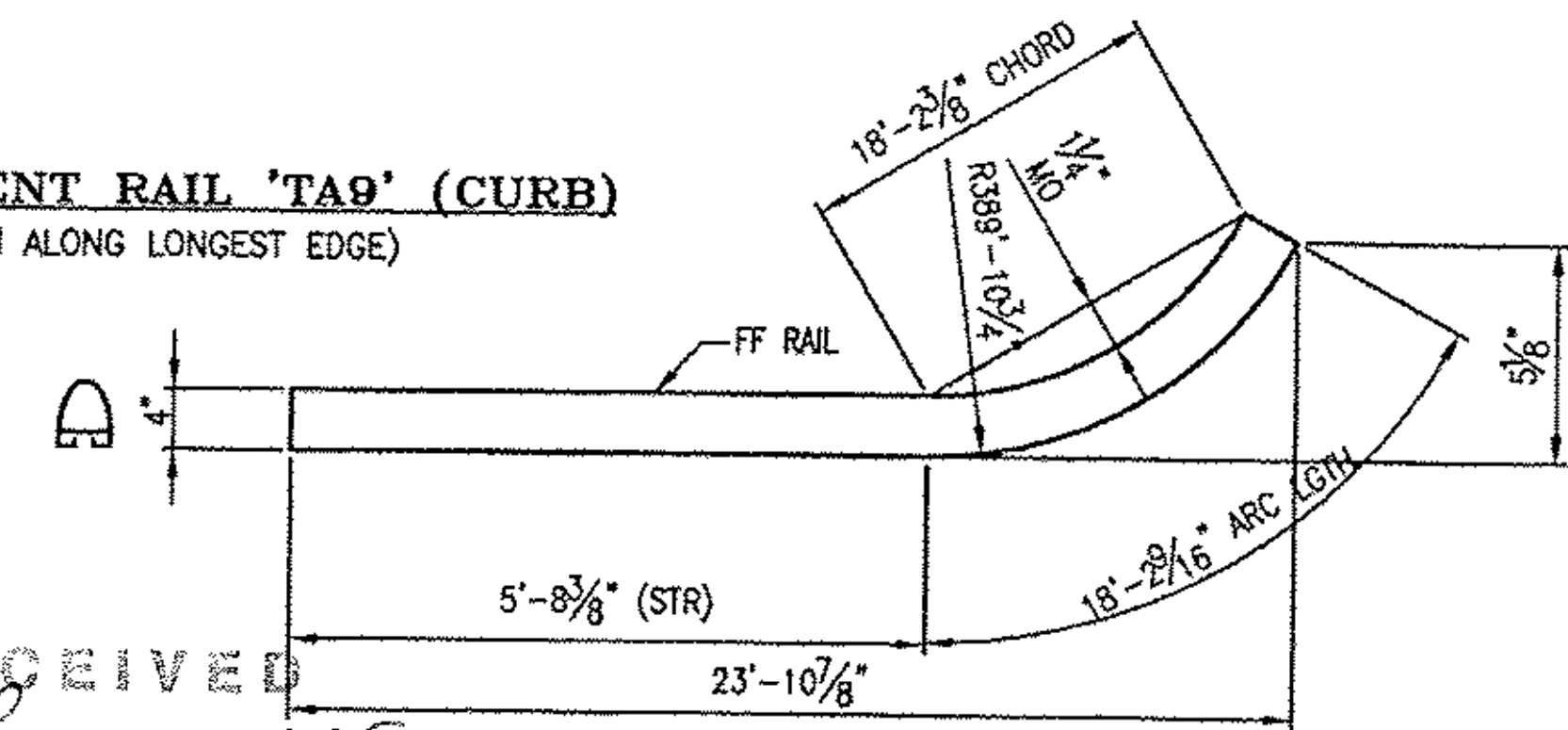


PLAN VIEW



VIEW 'D'-'D'

ONE REQ'D ~ BENT RAIL 'TA9' (CURB)
(23'-11 1/8" LGTH ALONG LONGEST EDGE)

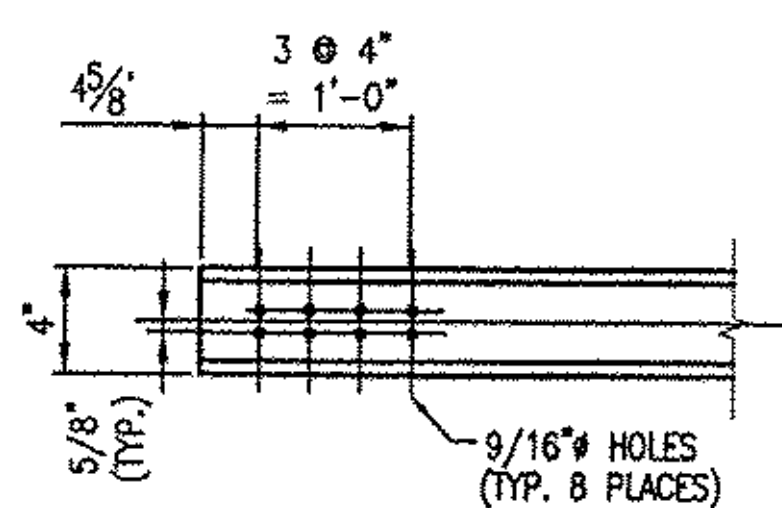


PLAN VIEW

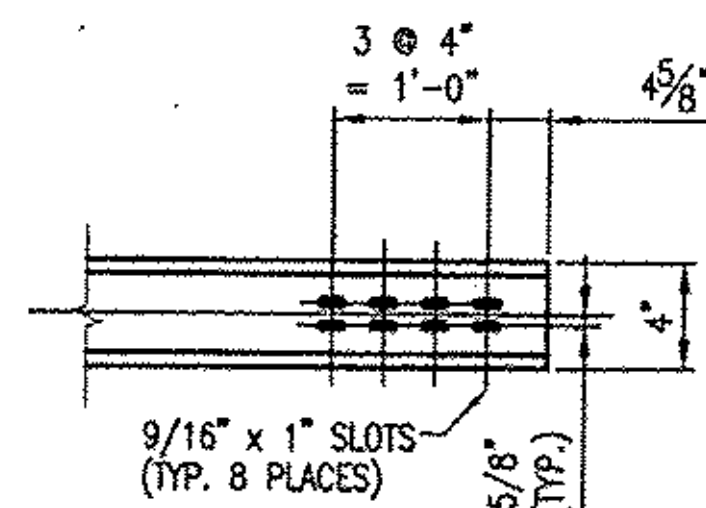
ONE REQ'D ~ BENT RAIL 'TA8' (SIDEWALK)
(23'-10 15/16" LGTH ALONG LONGEST EDGE)

ROADWAY BEND TOP RAILS (CURB)					
MK.	QTY	ARC LGTH	MO	CHORD	RADIUS
TA6	1	23'-11 1/2"	2 5/16"	23'-11 3/16"	355'-8 3/4"

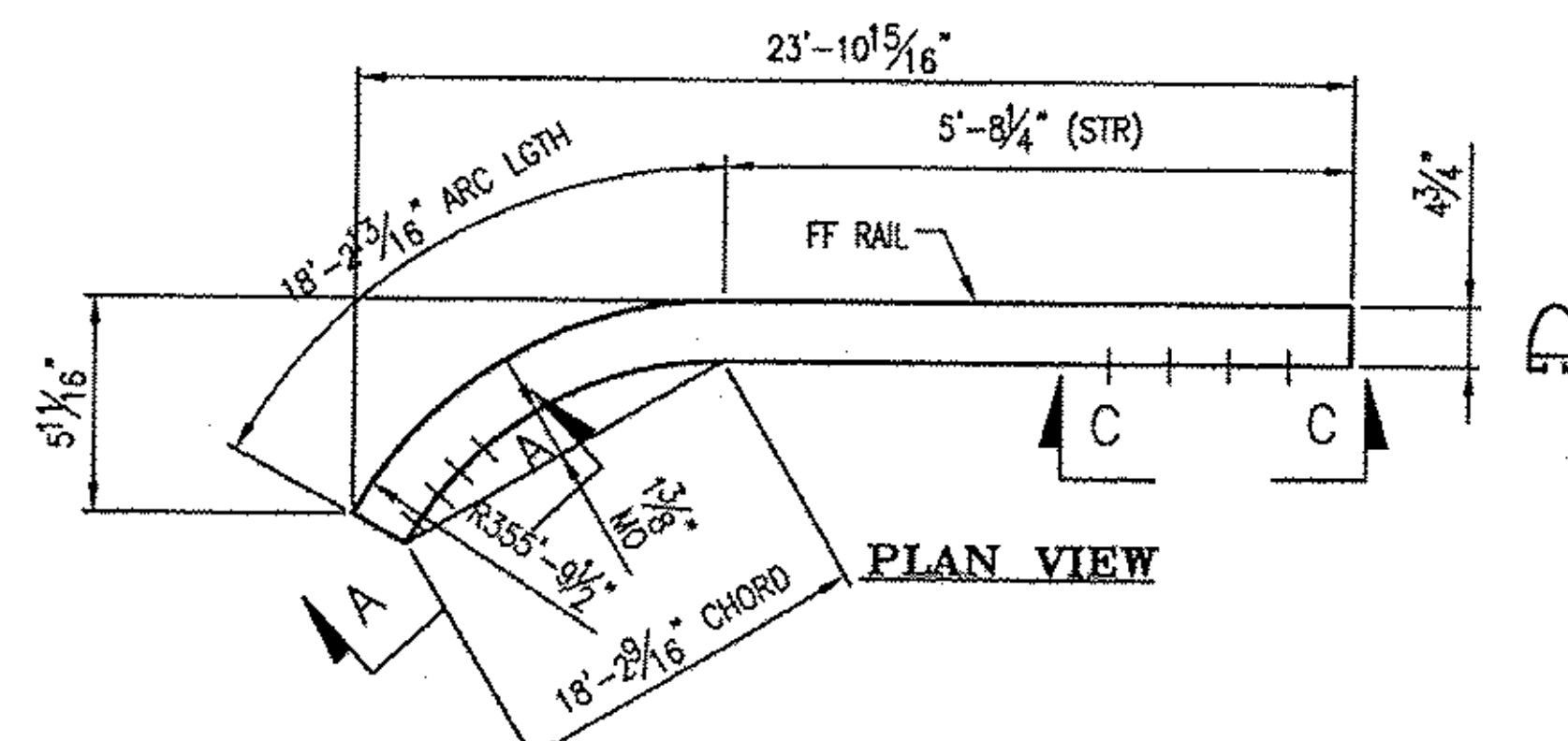
ROADWAY BEND TOP RAILS (SIDEWALK)					
MK.	QTY	ARC LGTH	MO	CHORD	RADIUS
TA1	1	32'-0"	3 15/16"	31'-11 9/16"	389'-10 3/4"
TA5	1	30'-3 5/16"	3 1/2"	30'-2 15/16"	389'-10 3/4"
TA7	1	23'-11 1/4"	2 3/16"	23'-10 15/16"	389'-10 3/4"



VIEW 'A'-'A'



VIEW 'C'-'C'

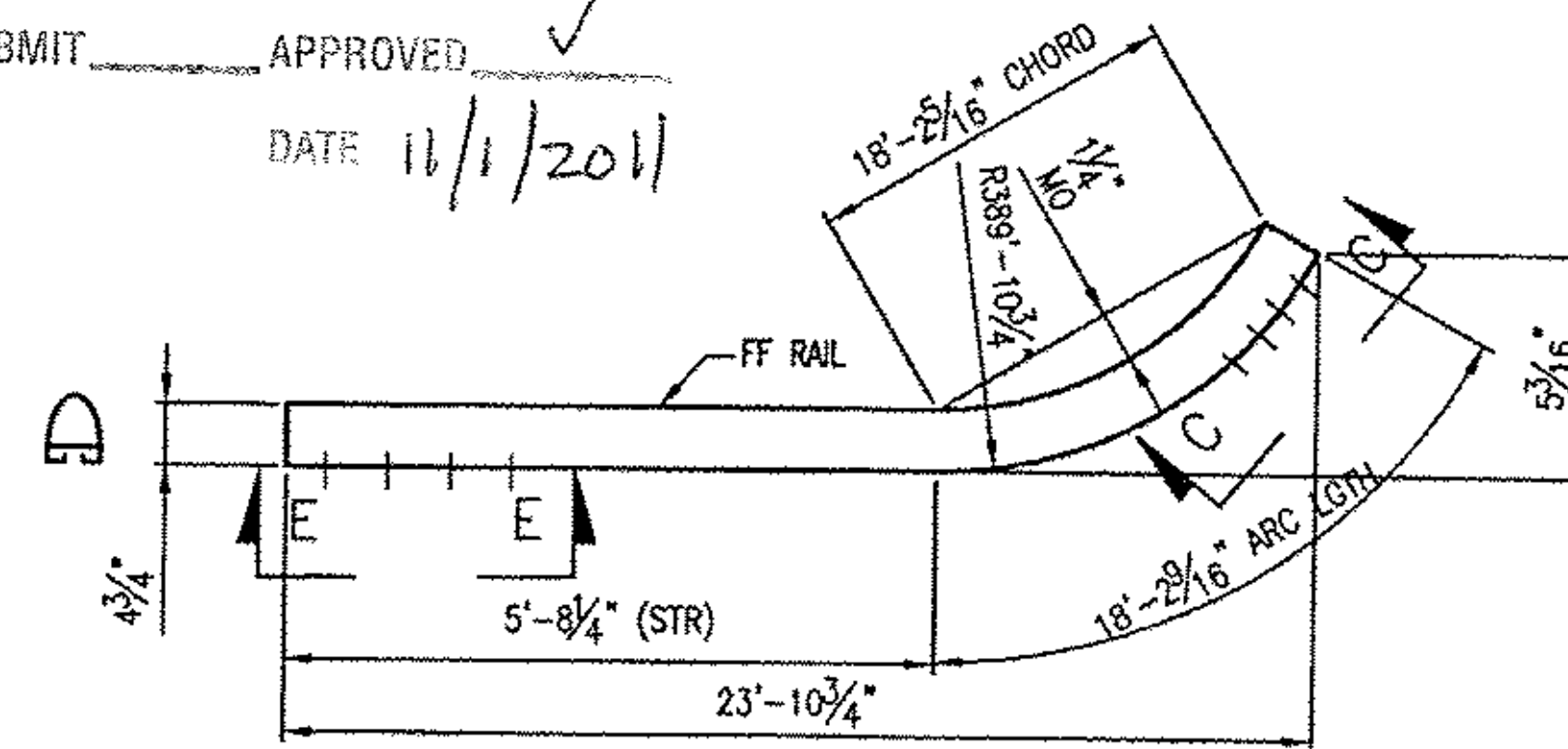


PLAN VIEW

ONE REQ'D ~ BENT RAIL 'MA9' (CURB)
(23'-11 1/16" LGTH ALONG LONGEST EDGE)

ONE REQ'D ~ BENT RAIL 'BA9' (CURB)
(23'-11 1/16" LGTH ALONG LONGEST EDGE)

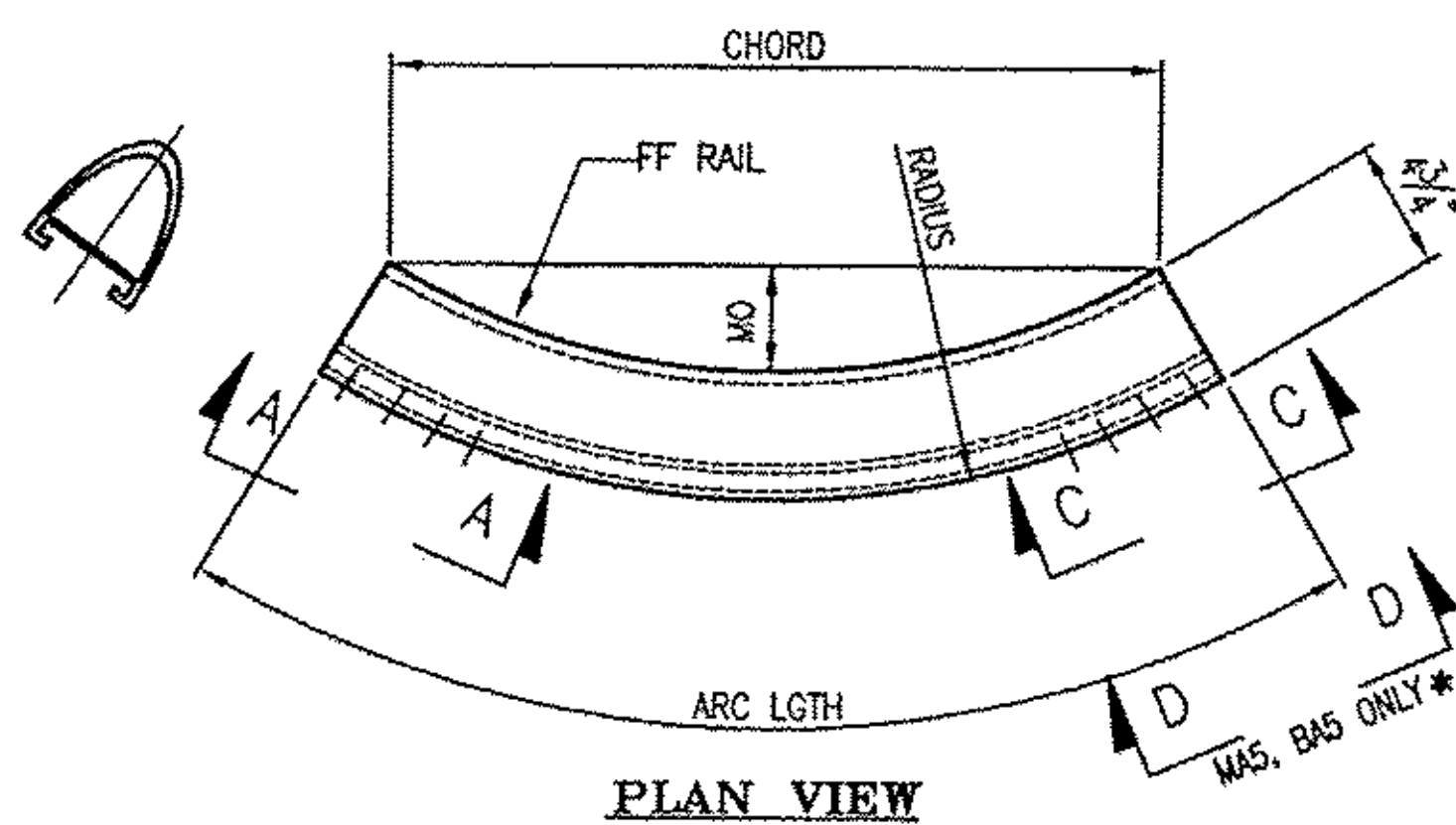
RECEIVED
 CK'D BY *WBP* OK'D BY *SSS*
 OCT 24 2011
 RESUBMIT _____ APPROVED _____
 BY _____ DATE 11/1/2011



PLAN VIEW

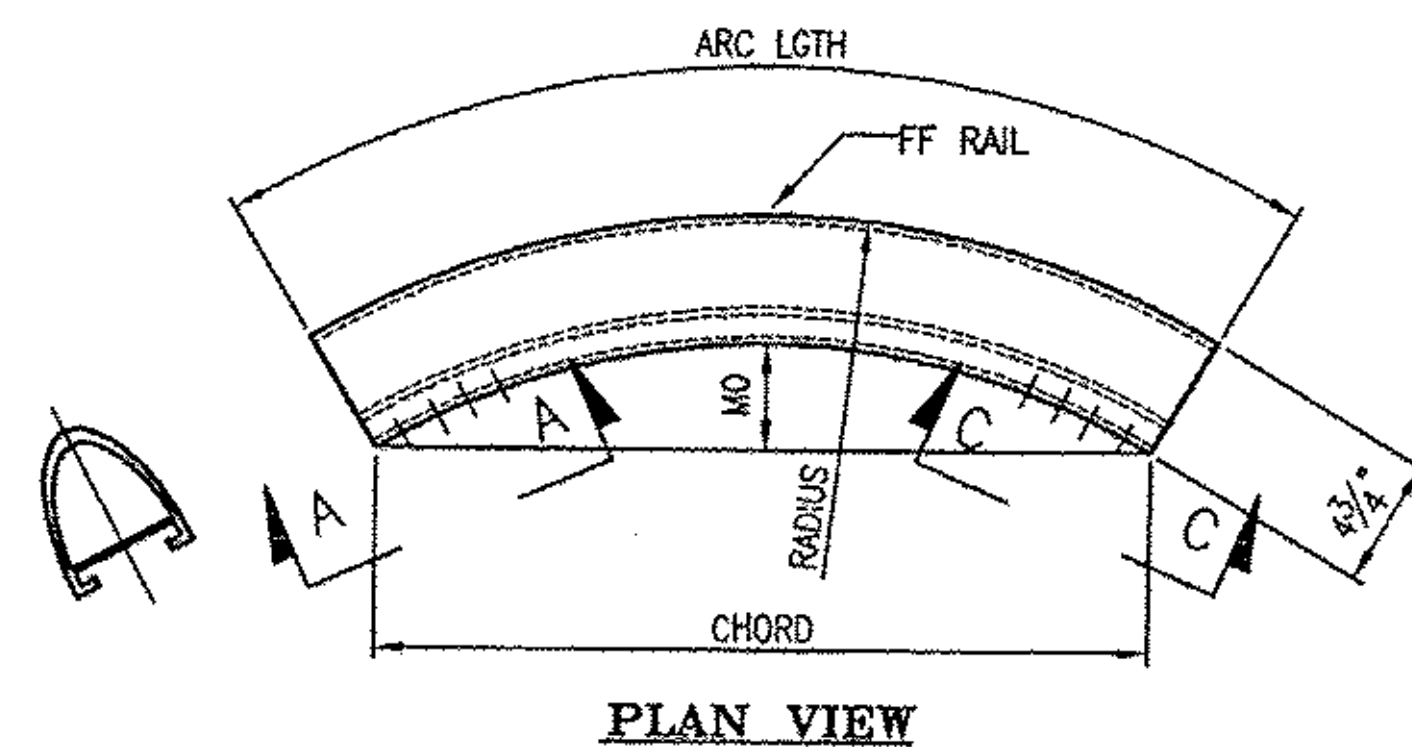
ONE REQ'D ~ BENT RAIL 'MA8' (SIDEWALK)
(23'-10 13/16" LGTH ALONG LONGEST EDGE)

ONE REQ'D ~ BENT RAIL 'BA8' (SIDEWALK)
(23'-10 13/16" LGTH ALONG LONGEST EDGE)



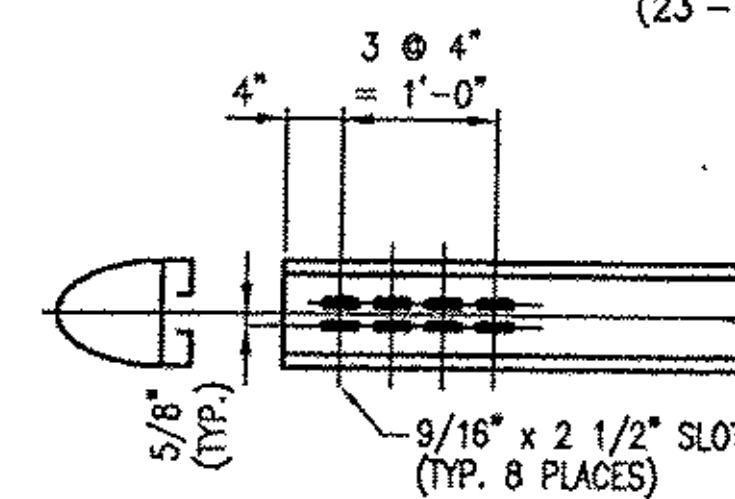
PLAN VIEW

ROADWAY BEND MIDDLE/BOTTOM RAILS (SDWK)					
MK.	QTY	ARC LGTH	MO	CHORD	RADIUS
MA1	1	31'-11 7/8"	3 15/16"	31'-11 3/8"	389'-10 3/4"
BA1	1	31'-11 11/16"	3 15/16"	31'-11 3/16"	389'-10 3/4"
MA5	1	30'-3 3/4"	3 1/2"	30'-3 5/16"	389'-10 3/4"
BA5	1	30'-4 5/16"	3 9/16"	30'-3 15/16"	389'-10 3/4"
MA7	1	23'-11 1/4"	2 3/16"	23'-10 15/16"	389'-10 3/4"
BA7	1	23'-11 1/4"	2 3/16"	23'-10 15/16"	389'-10 3/4"



PLAN VIEW

ROADWAY BEND MIDDLE/BOTTOM RAILS (CURB)					
MK.	QTY	ARC LGTH	MO	CHORD	RADIUS
MA6	1	23'-11 9/16"	2 5/16"	23'-11 3/16"	355'-9 1/2"
BA6	1	23'-11 9/16"	2 5/16"	23'-11 3/16"	355'-9 1/2"



VIEW 'E'-'E'

BRIDGE No. 15
 PROJECT No. BRP 022-1 (14)
 ITEM No: 525.22/525.23

LB Foster
 Fabricated Bridge Products
 L.B. FOSTER COMPANY
 1016 GREENTREE RD.
 PITTSBURGH, PA 15220

FOR: F. R. LAFAYETTE, INC.
 VERMONT AGENCY OF TRANSPORTATION
 TOWN OF BETHEL, WINDSOR COUNTY, VT
 3-LINE ALUMINUM BRIDGE RAIL FOR VT ROUTE 7
 (MINOR ARTERIAL) - KEY PLAN & MISC RAIL DETAILS

MADE CMS DATE 09/20/11 JOB NO. ARO700
 CHECK Dd DATE 10/12/11 DRAWING LB6
 REV. DESCRIPTION BY DATE