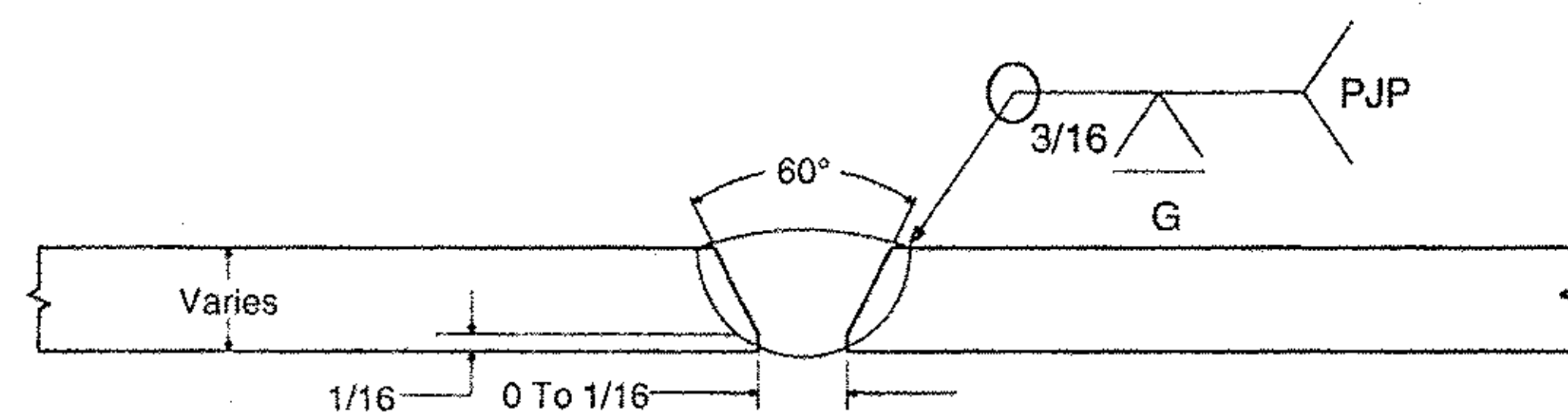


L. B. Foster Co.
Welding Procedure Specification

Page 2 of 2

1G AL 3/16 (BC-P2)

Joint Detail



MEMO

Supporting PQR's: PQR AL-122, AL112

Joint Design Per AWS D1.2-97 page 146 BC-P2

 Timothy A Miller
CWI 01051151
QC1 EXP. 8/1/2013