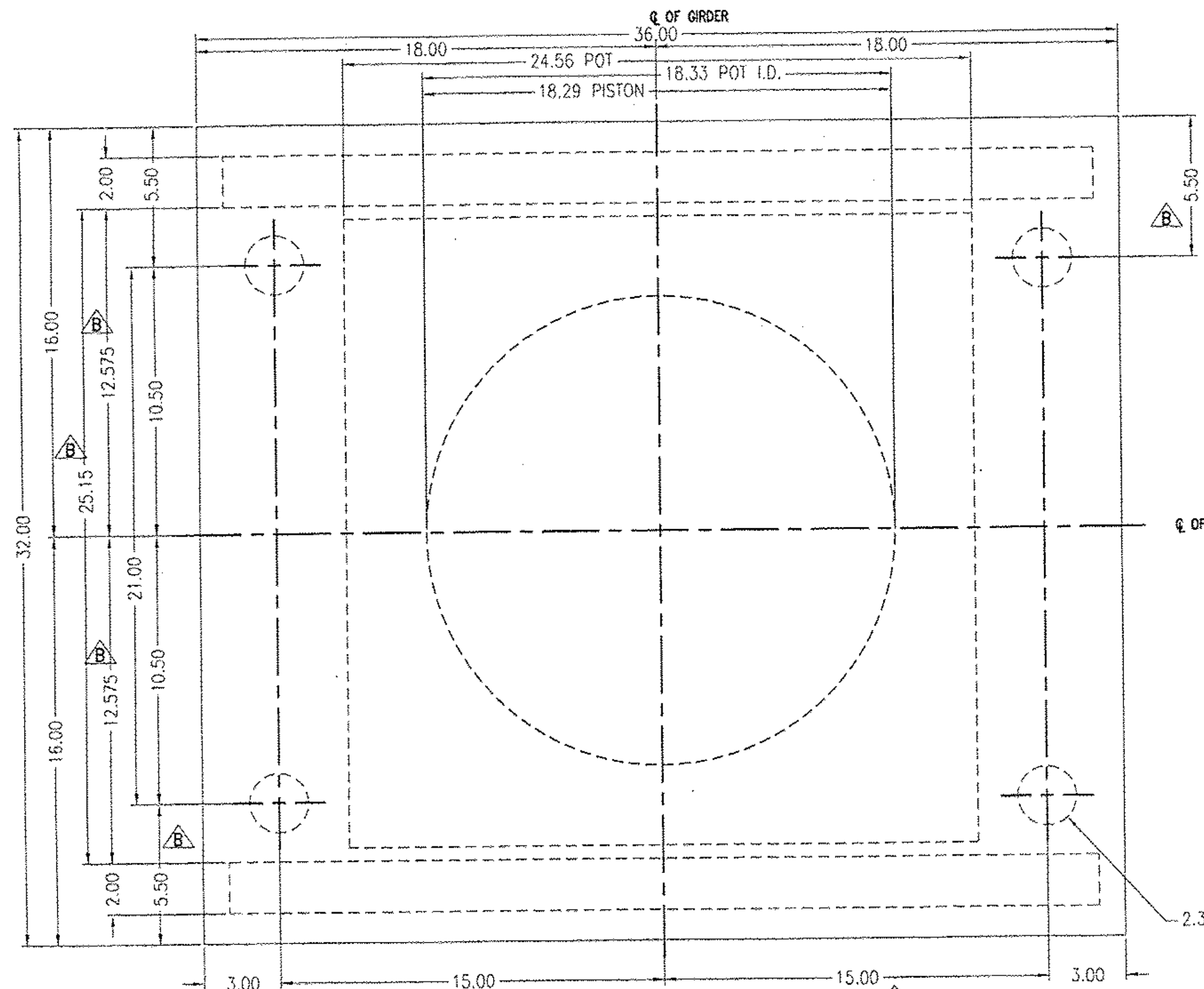
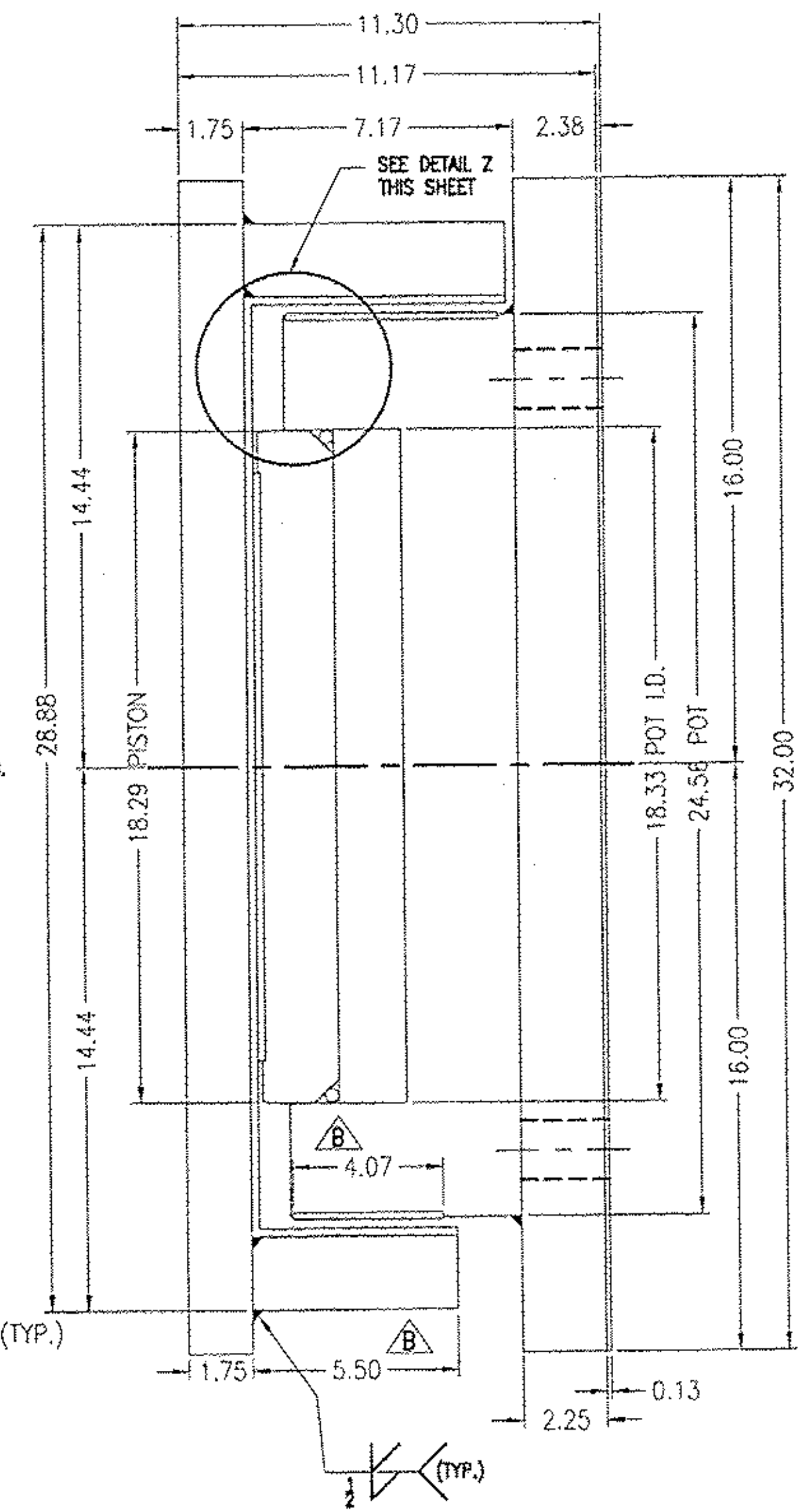


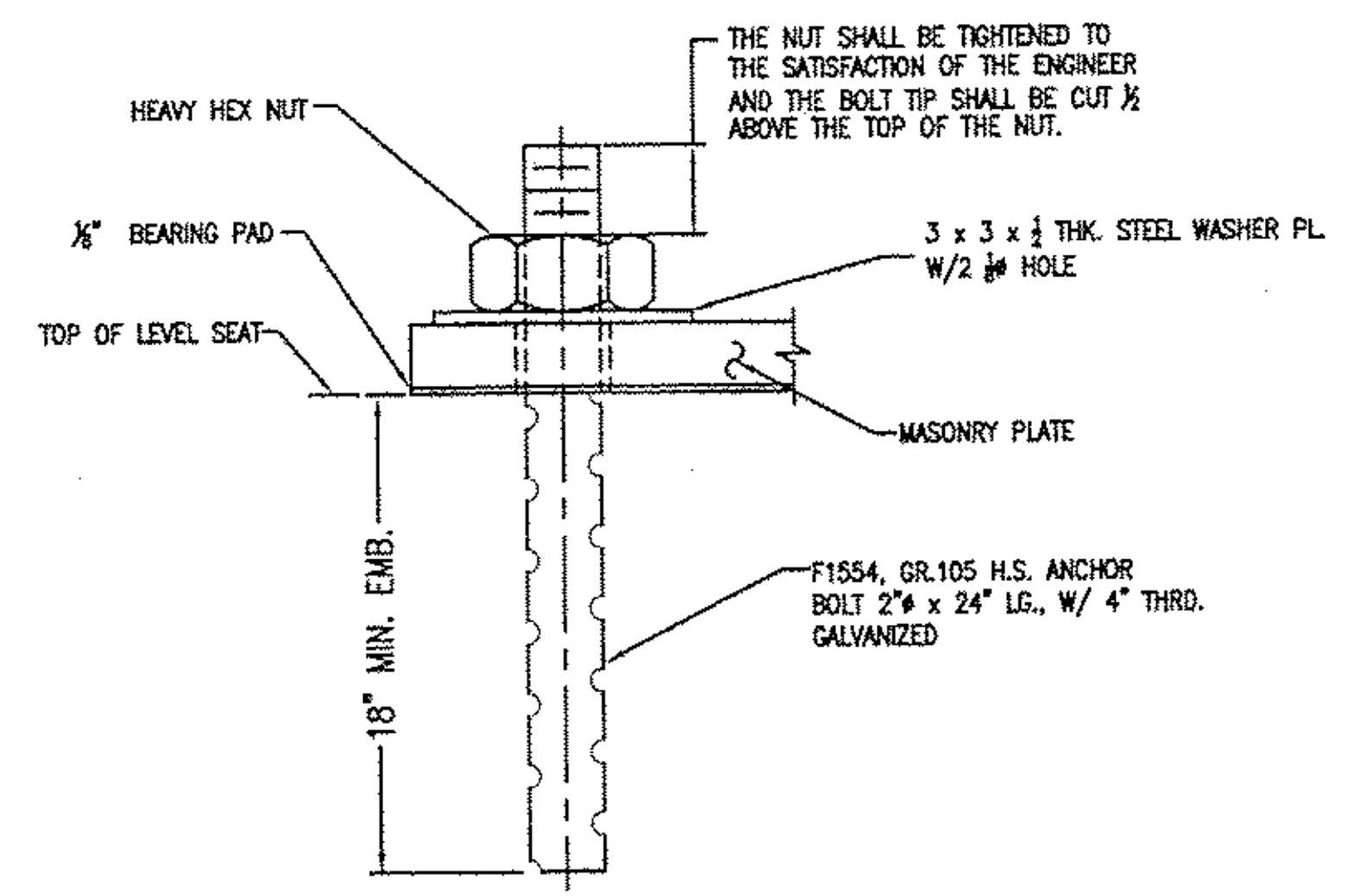
REVISIONS				
ZONE	REV	DESCRIPTION	DATE	APPROVED
-	A	AS PER ENGINEER & CHECKER'S MARKS	9/29/11	E.J.G. R.F.
-	B	AS PER ENGINEER'S MARKS	10/6/11	E.J.G. R.F.



PLAN VIEW



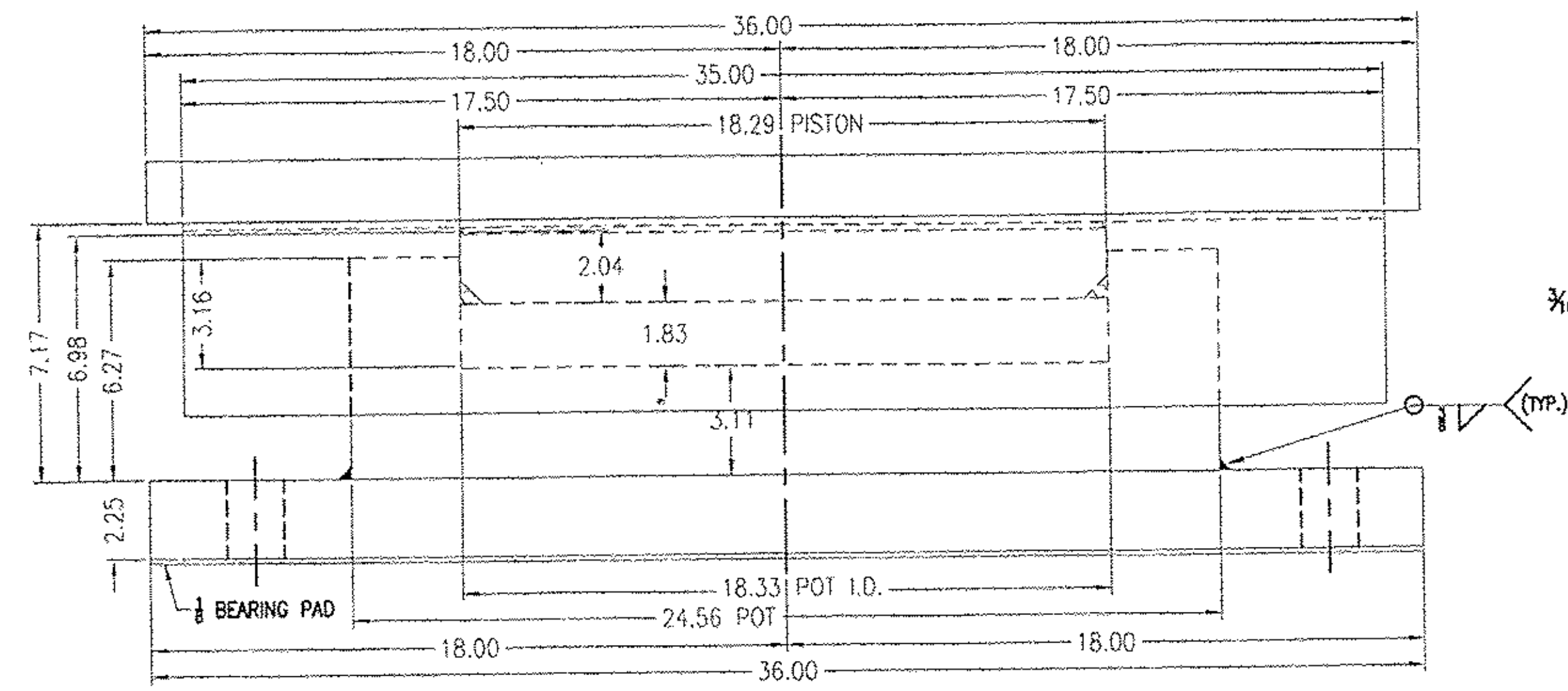
SIDE VIEW



ANCHOR BOLT DETAIL

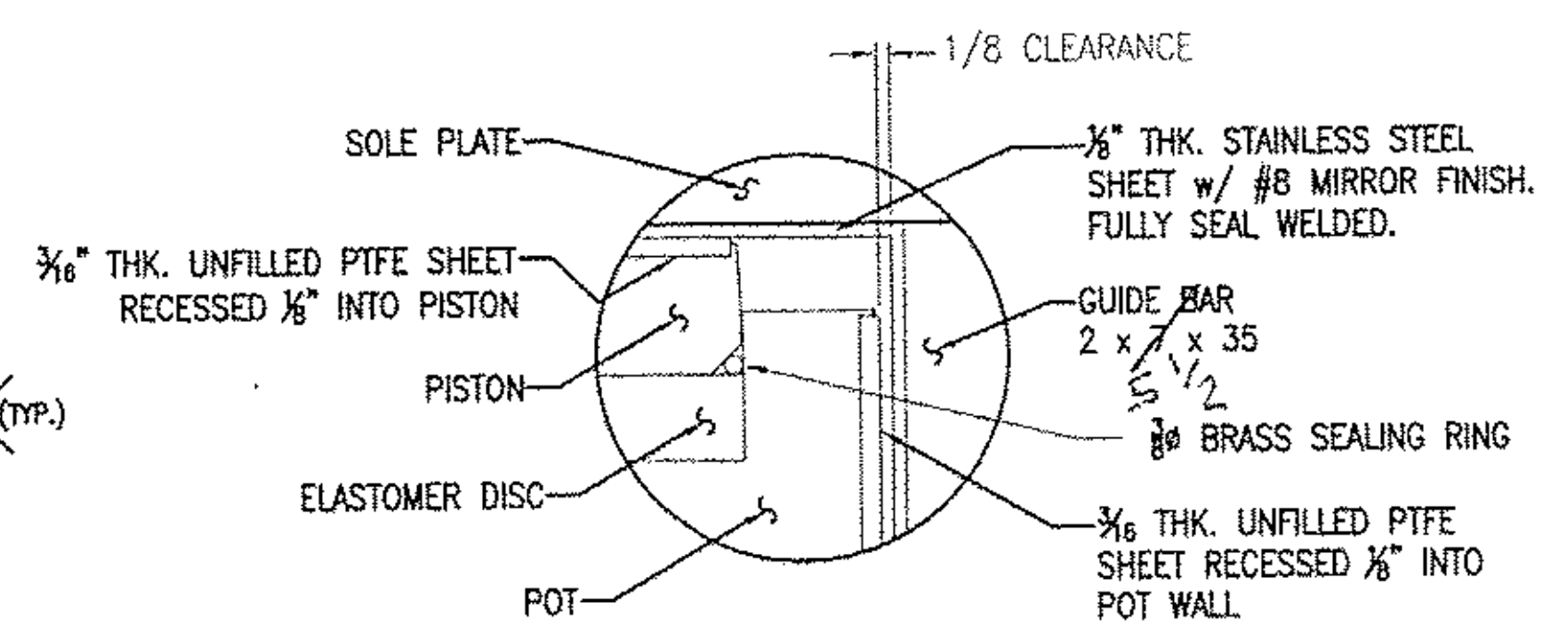
QTY. REQ'D = 4

RECEIVED
 OK'D BY AVDB OK'D BY SSS
 OCT 14 2011
 RESUBMIT _____ APPROVED
 BY _____ DATE 10/18/11



SPAN PIER TRANSVERSE GUIDED BEARING (N3)

QTY. REQ'D = 1
 924 KIPS



DETAIL Z

VERMONT AGENCY OF TRANSPORTATION
 PROJECT NAME: BETHEL
 PROJECT NUMBER: BRF-022-1(14)

AMSCOT
 STRUCTURAL PRODUCTS CORP.

SCALE: N.T.S.	APPR'D: R.F.	DRAWN BY: P.S.
DATE: 8/19/11		REV: B
TRANSVERSAL EXPANSION HLMR POT BEARING		
FOR: BECK & BELLUCCI	SHEET NO 5 of 7	DWG NO: BB11A5RB

150