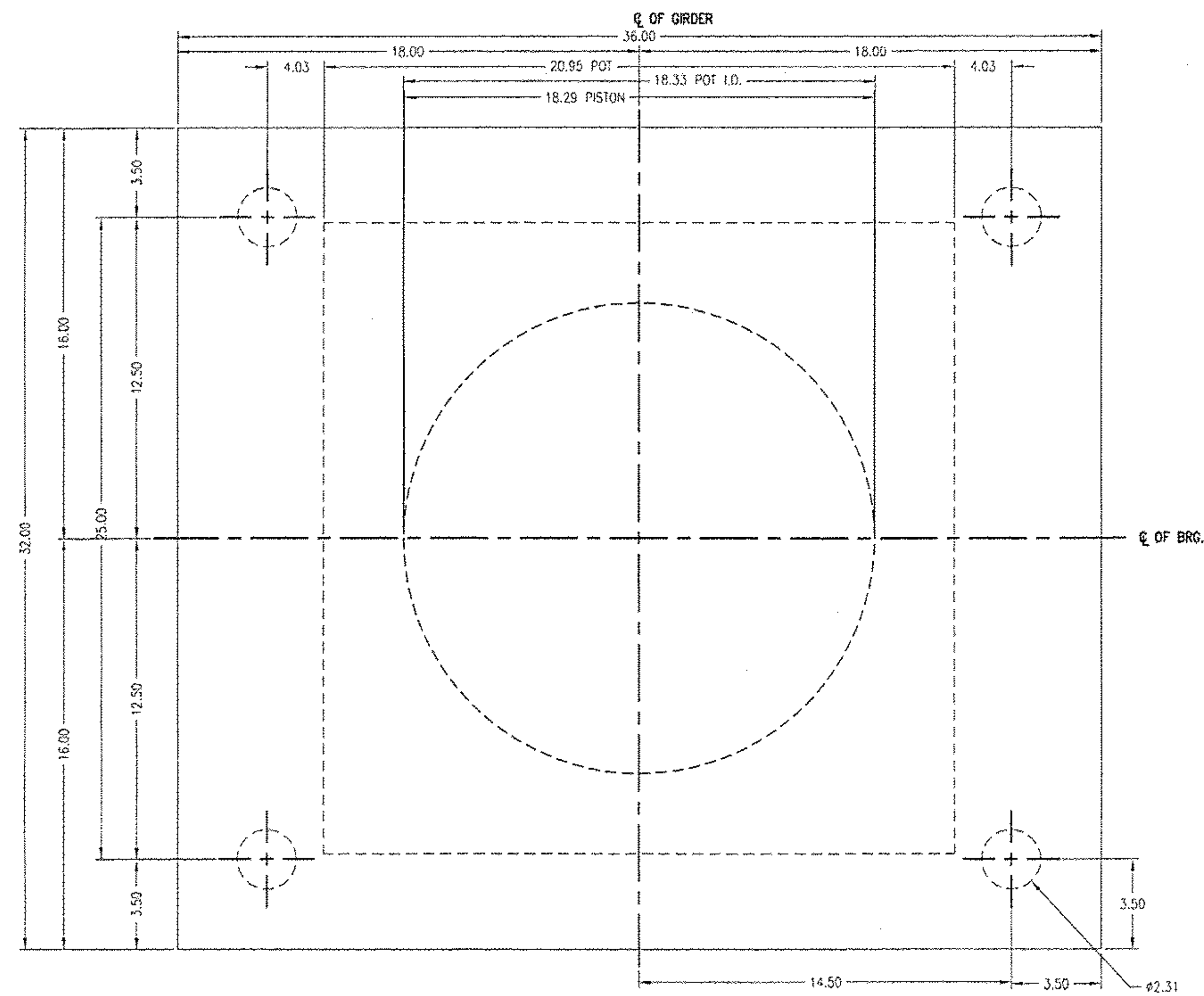
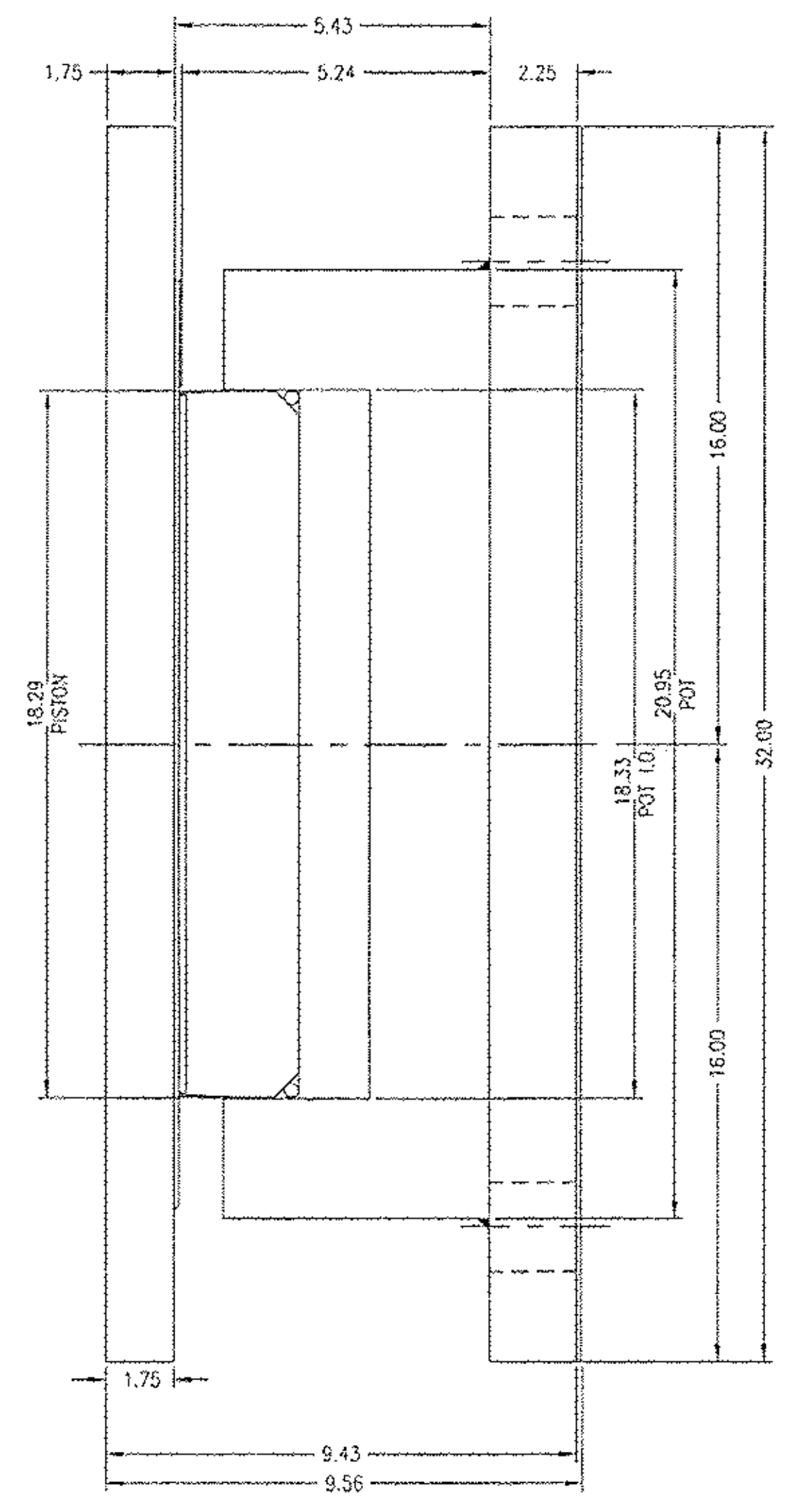


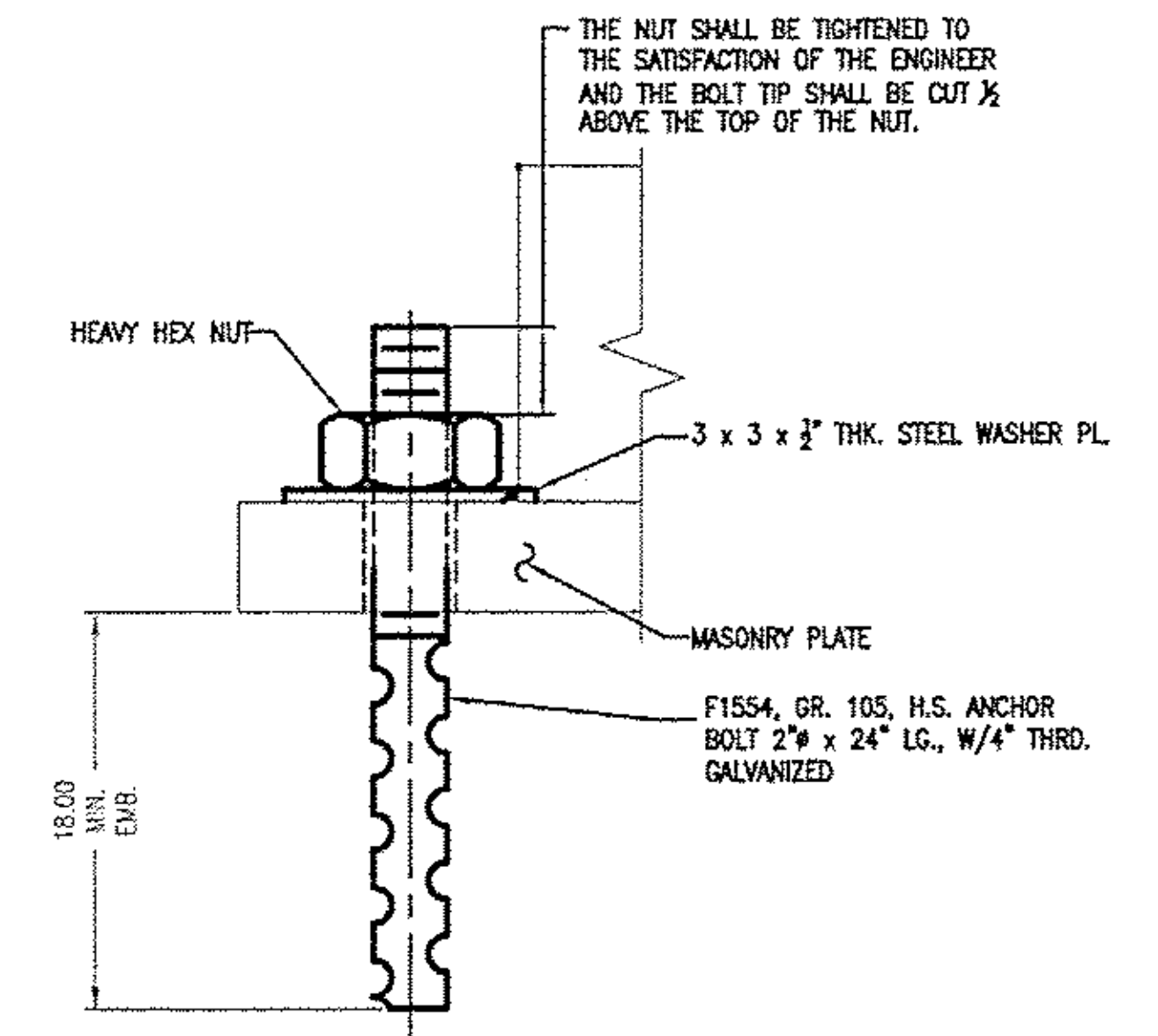
REVISIONS					
ZONE	REV	DESCRIPTION	DATE	REV. BY	APPROVED
-	A	AS PER ENGINEER & CHECKER'S MARKS	9/28/11	E.J.G.	R.F.
-	B	AS PER ENGINEER'S MARKS	10/8/11	E.J.G.	R.F.



PLAN VIEW

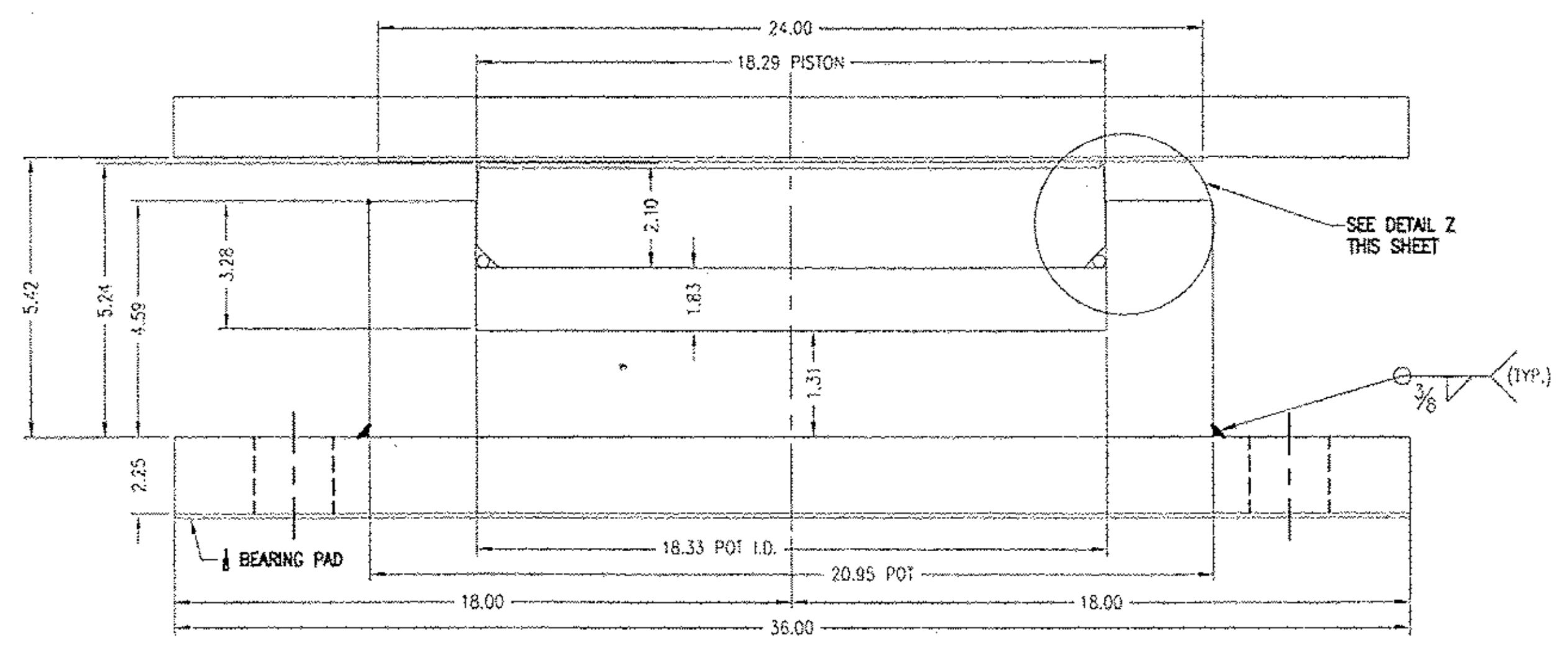


SIDE VIEW

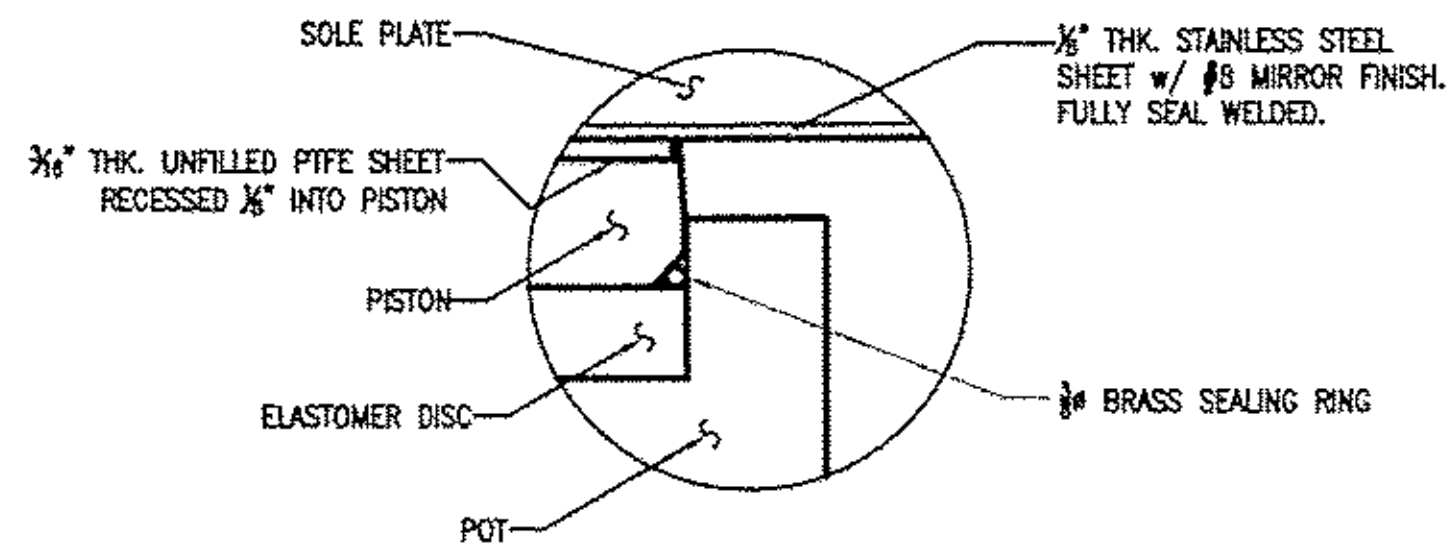


ANCHOR BOLT DETAIL
QTY. REQ'D = 4

RECEIVED
 CK'D BY AMDB OK'D BY SSS
 OCT 14 2011
 RESUBMIT _____ APPROVED
 BY _____ DATE 10/18/11



SPAN PIER FTM EXPANSION BEARING (N4)
QTY. REQ'D = 1
924 KIPS



DETAIL Z

VERMONT AGENCY OF TRANSPORTATION
 PROJECT NAME: BETHEL
 PROJECT NUMBER: BRP-022-1(14)

AMSCOT
 STRUCTURAL PRODUCTS CORP.

SCALE: N.T.S.	APPR'D: R.F.	DRAWN BY: P.S.
DATE: 8/19/11		REV.: B
FTM EXPANSION TYPE HLMR POT BEARING		
FOR: BECK & BELLUCCI	SHEET NO 4 of 7	DWG NO: BB11A4RB

12a