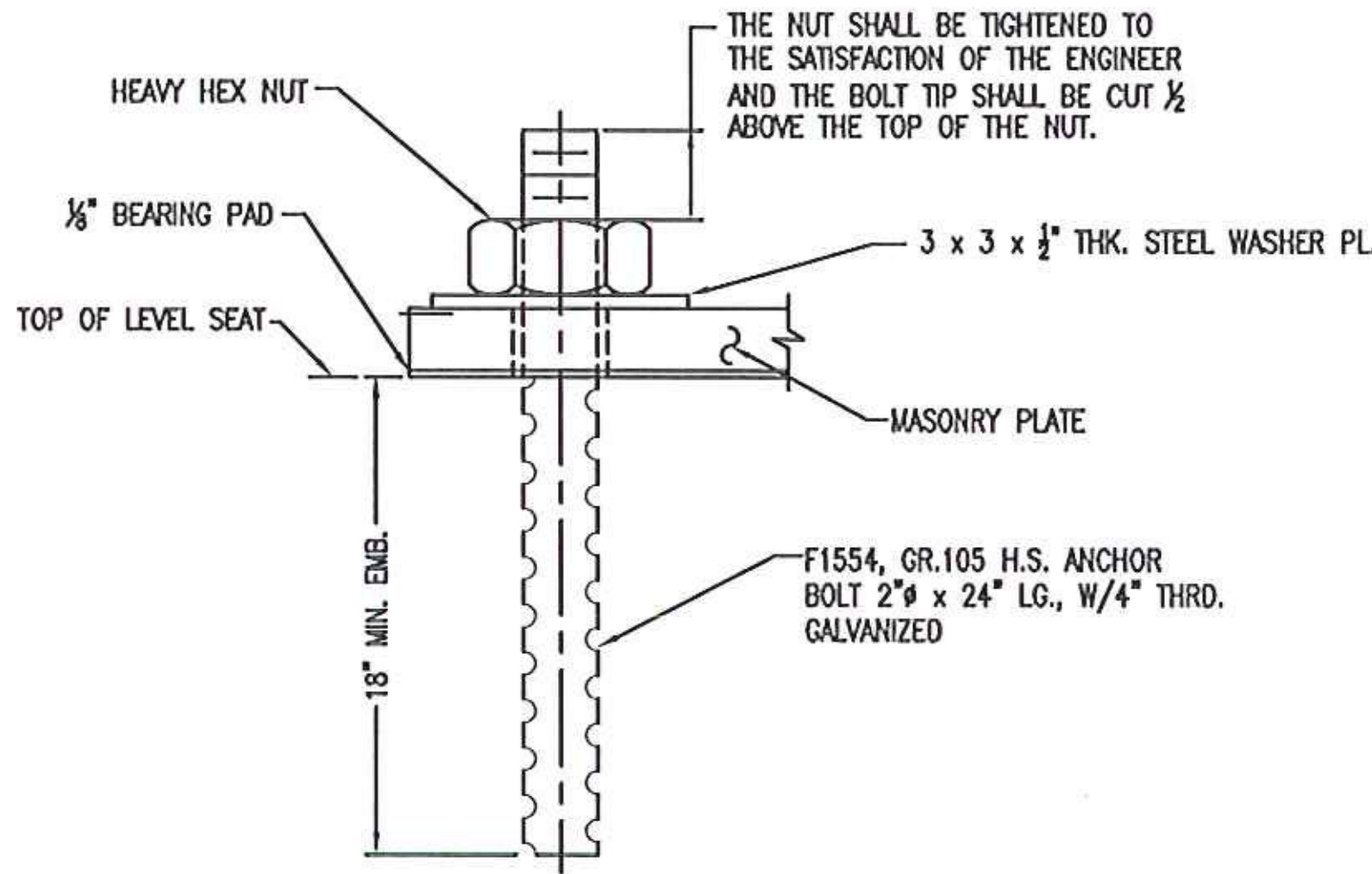


REVISIONS					
ZONE	REV	DESCRIPTION	DATE	REV. BY	APPROVED
-	A	AS PER ENGINEER & CHECKER'S MARKS	9/29/11	E.J.G.	R.F.
-	B	AS PER ENGINEER & CHECKER'S MARKS	10/14/11	E.J.G.	R.F.
-	C	DIMENSIONAL CHANGES DUE TO STEEL AVAILABILITY	11/11/11	E.J.G.	R.F.

The nut for the anchor bolt would not of fit as dimensioned.



Their corrected version is the ~~one~~ sheet before this one

Vermont Agency of Transportation  
**RECEIVED**  
 CK'D BY NDVB OK'D BY SSS  
 AS NOTED  
 RESUBMIT BY APPROVED DATE 11/15/2011

VERMONT AGENCY OF TRANSPORTATION  
 PROJECT NAME: BETHEL  
 PROJECT NUMBER: BRP-022-1(14)

**AMSCOT**  
 STRUCTURAL PRODUCTS CORP.

SCALE: N.T.S. APPR'D: R.F. DRAWN BY: P.S.  
 DATE: 8/17/11 REV.: C

LONGITUDINAL EXPANSION HLNR POT BEARING

FOR: BECK & BELLUCCI SHEET NO 6 of 7 DWG NO: BB11A6RC

1/2, fillet requires .4655

5

19.5

38

19.5

38

1.9

1.9

26.17

13.09

13.09

19.5

38