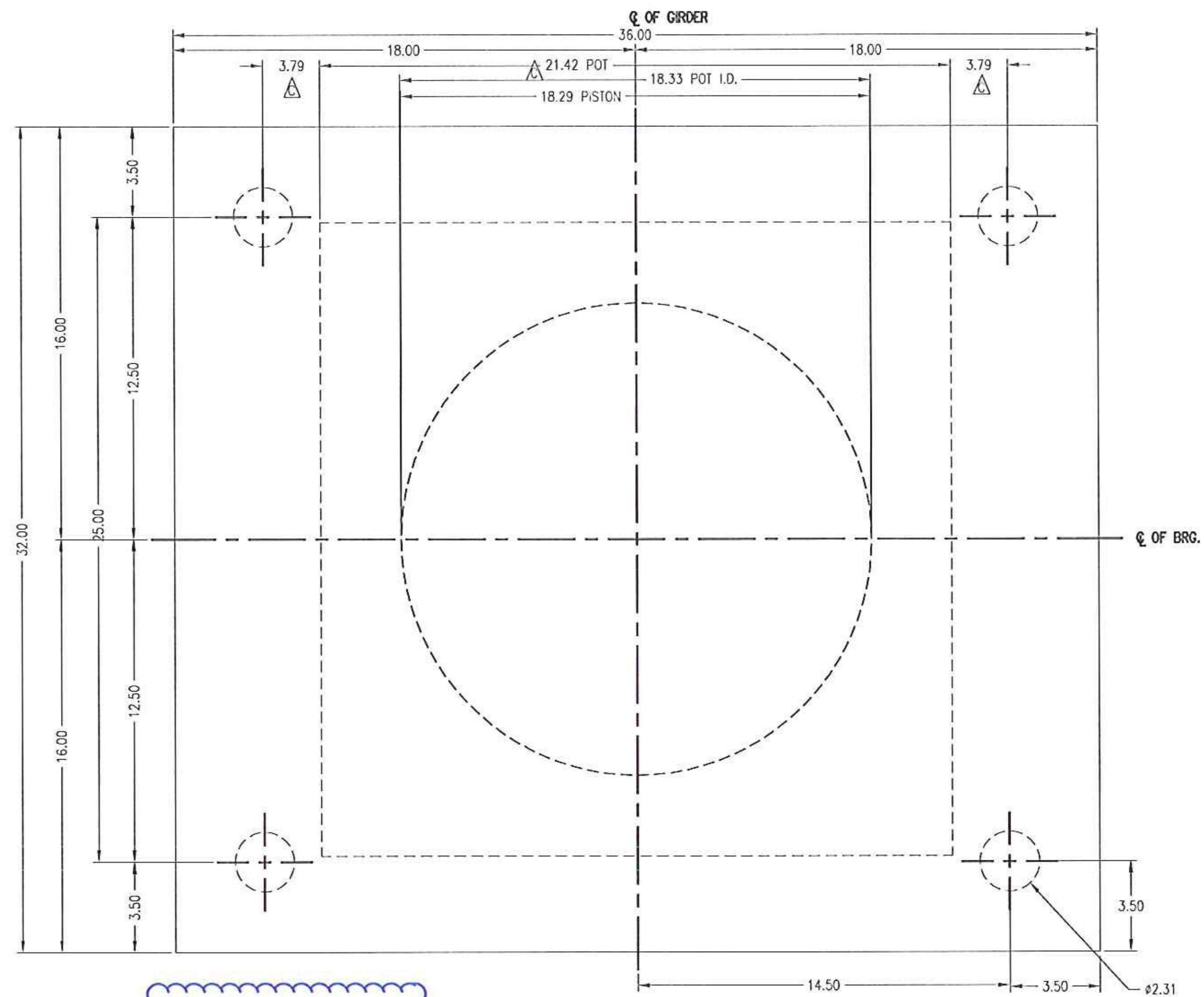
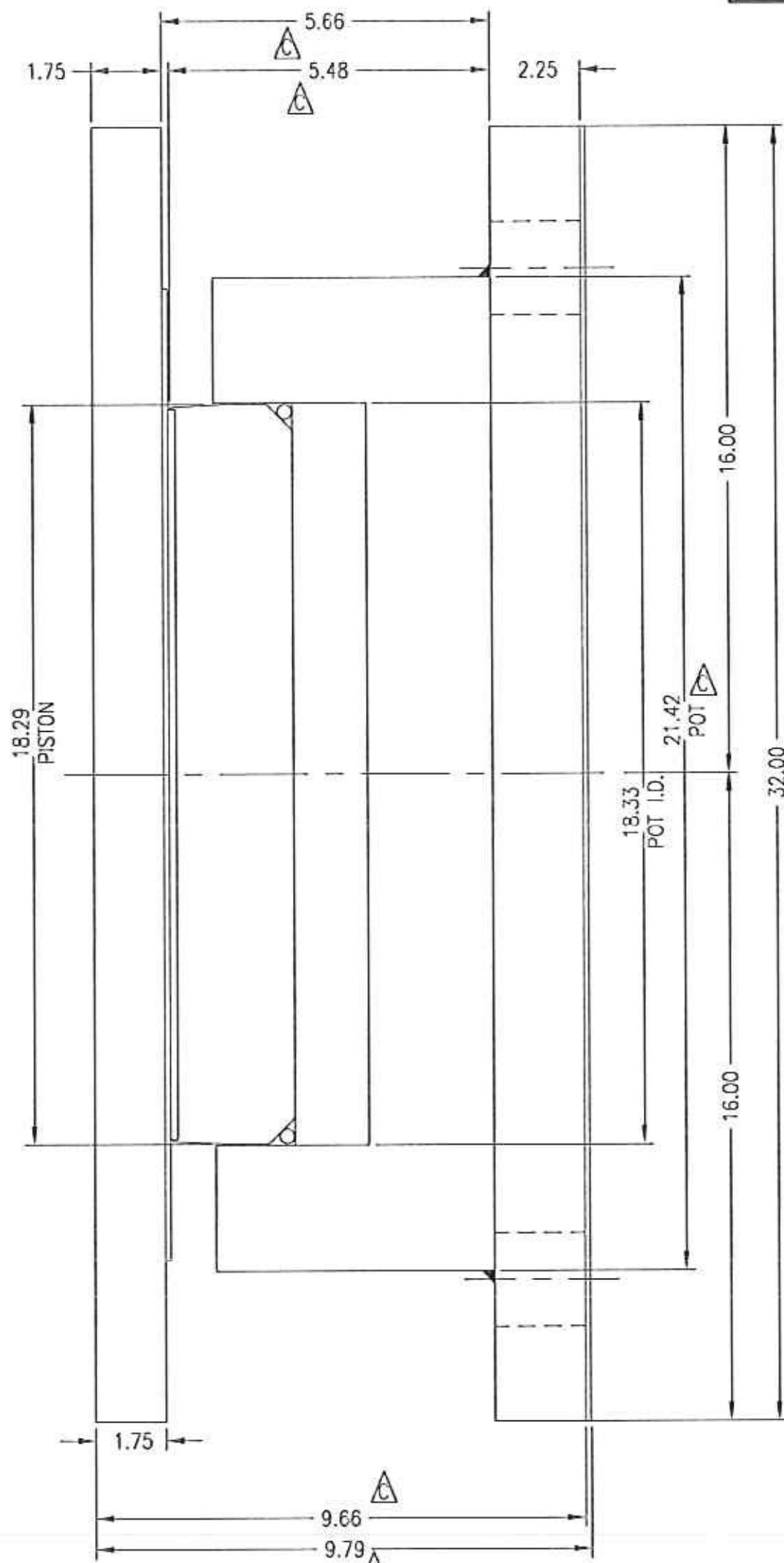


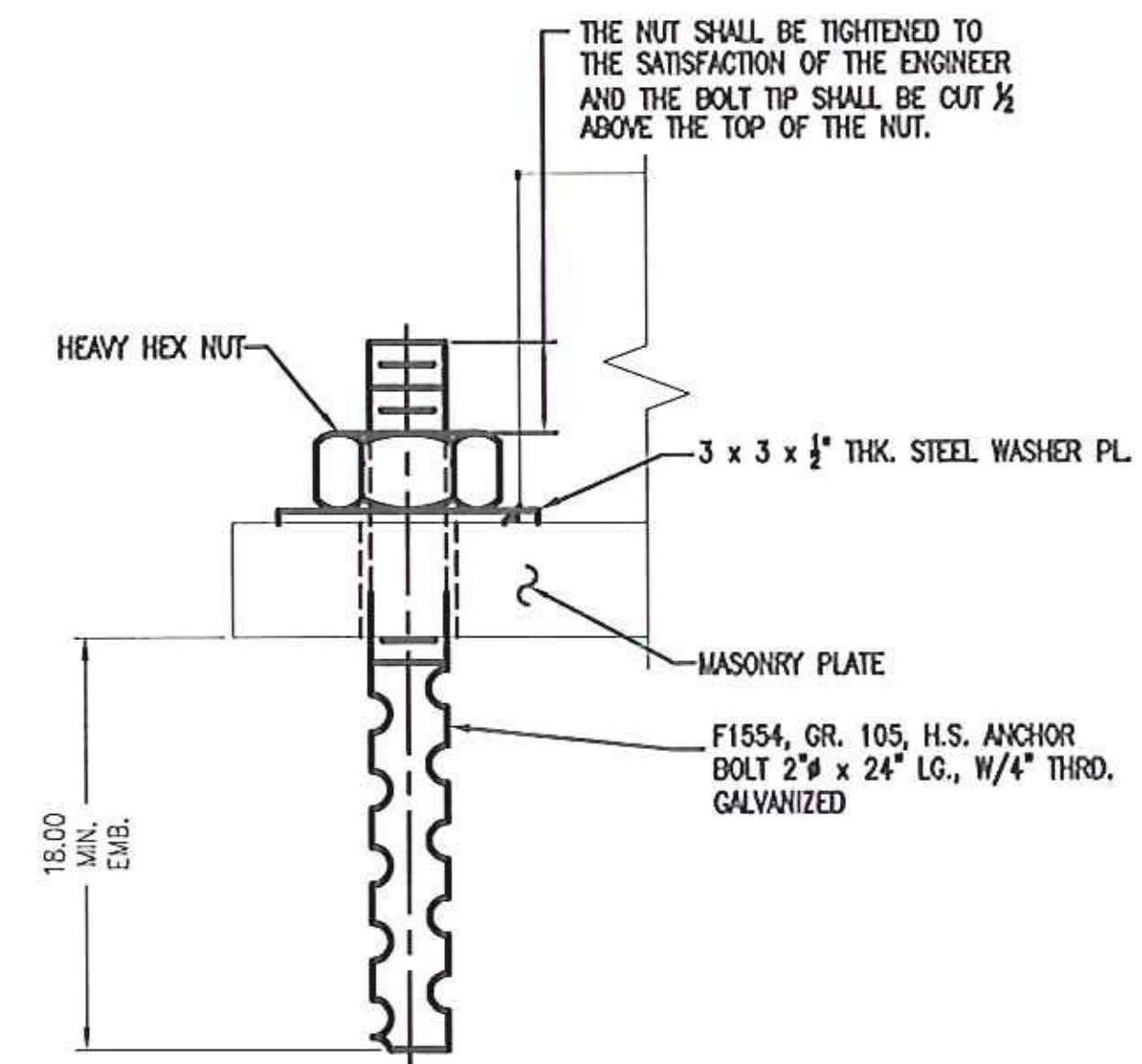
REVISIONS					
ZONE	REV	DESCRIPTION	DATE	REV. BY	APPROVED
--	A	AS PER ENGINEER & CHECKER'S MARKS	9/29/11	E.J.G.	R.F.
--	B	AS PER ENGINEER'S MARKS	10/6/11	E.J.G.	R.F.
--	C	DIMENSIONAL CHANGES DUE TO STEEL AVAILABILITY	11/11/11	E.J.G.	R.F.



PLAN VIEW



SIDE VIEW

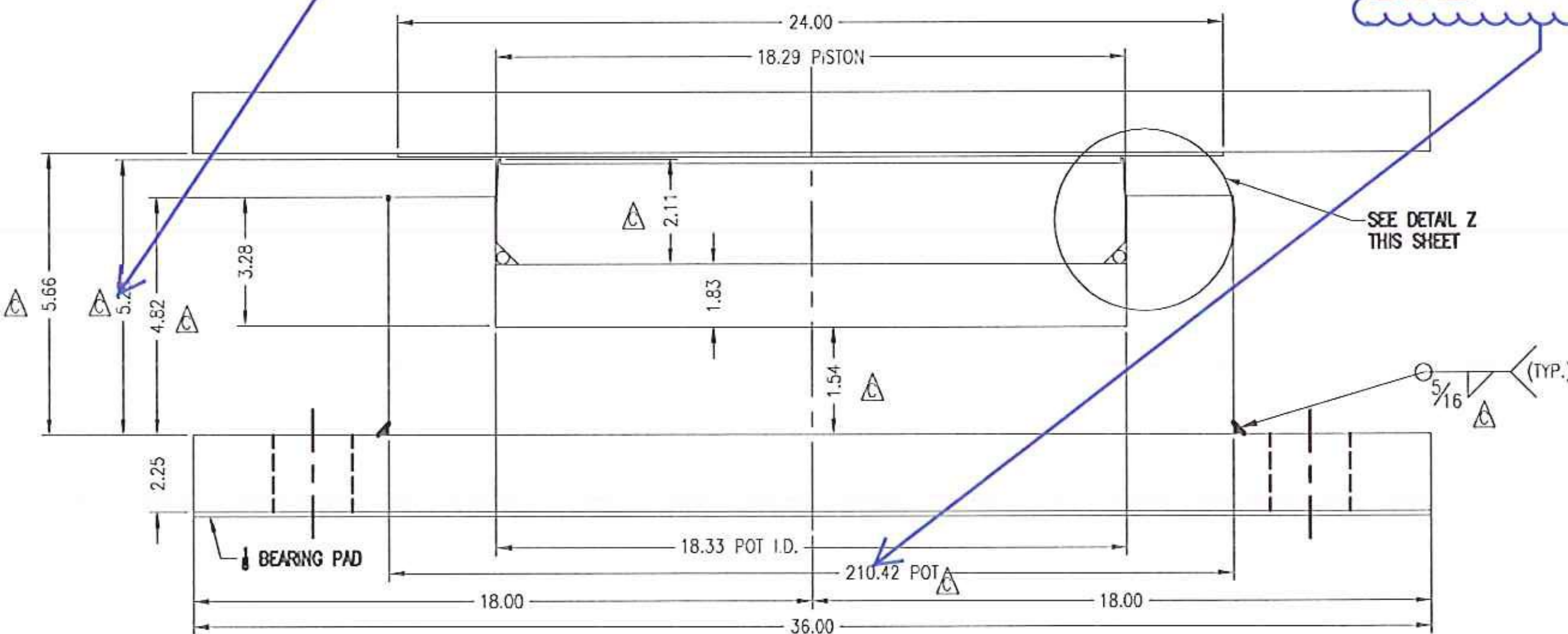


ANCHOR BOLT DETAIL
QTY. REQ'D = 4

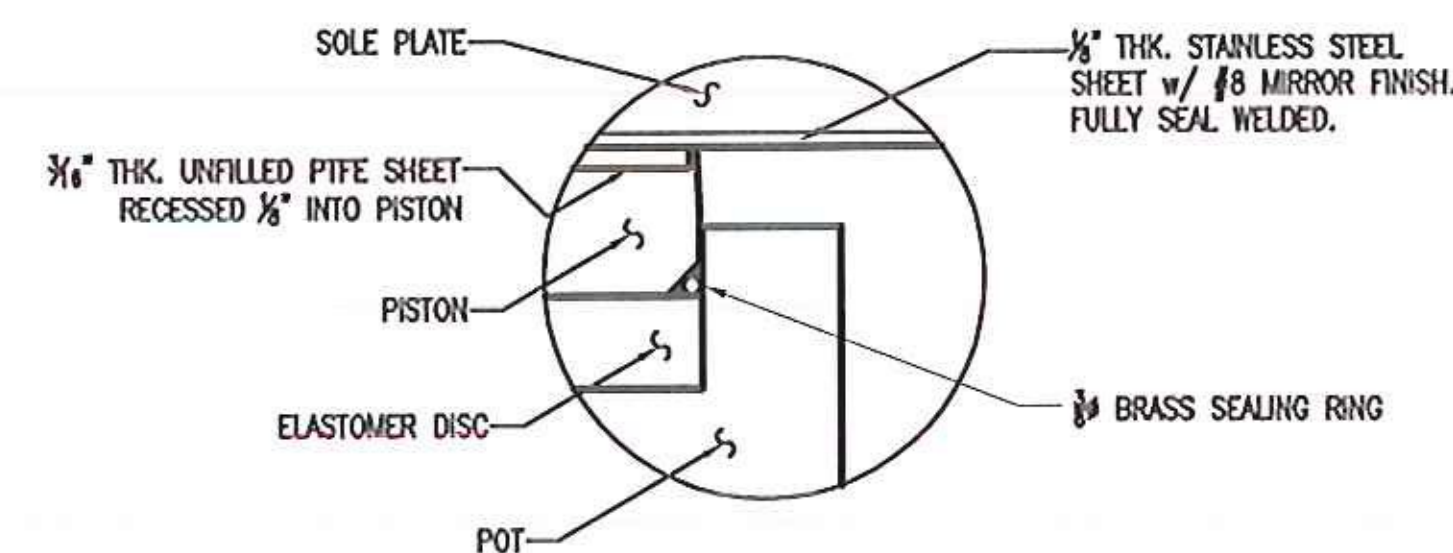
The corrected version is the sheet before of this one

Vermont Agency of Transportation
RECEIVED
CK'D BY NDVB OK'D BY SSS

RESUBMIT BY _____ APPROVED AS NOTED
DATE 11/15/2011



SPAN PIER FTM EXPANSION BEARING (N4)
QTY. REQ'D = 1
924 KIPS



DETAIL Z

VERMONT AGENCY OF TRANSPORTATION
PROJECT NAME: BETHEL
PROJECT NUMBER: BRF-022-1(14)

AMSCOT
STRUCTURAL PRODUCTS CORP.

SCALE: N.T.S.	APPR'D: R.F.	DRAWN BY: P.S.
DATE: 8/19/11	REV.: C	

FTM EXPANSION TYPE HLMR POT BEARING

FOR: BECK & BELLUCCI | SHEET NO 4 of 7 | DWG NO: B811AARC