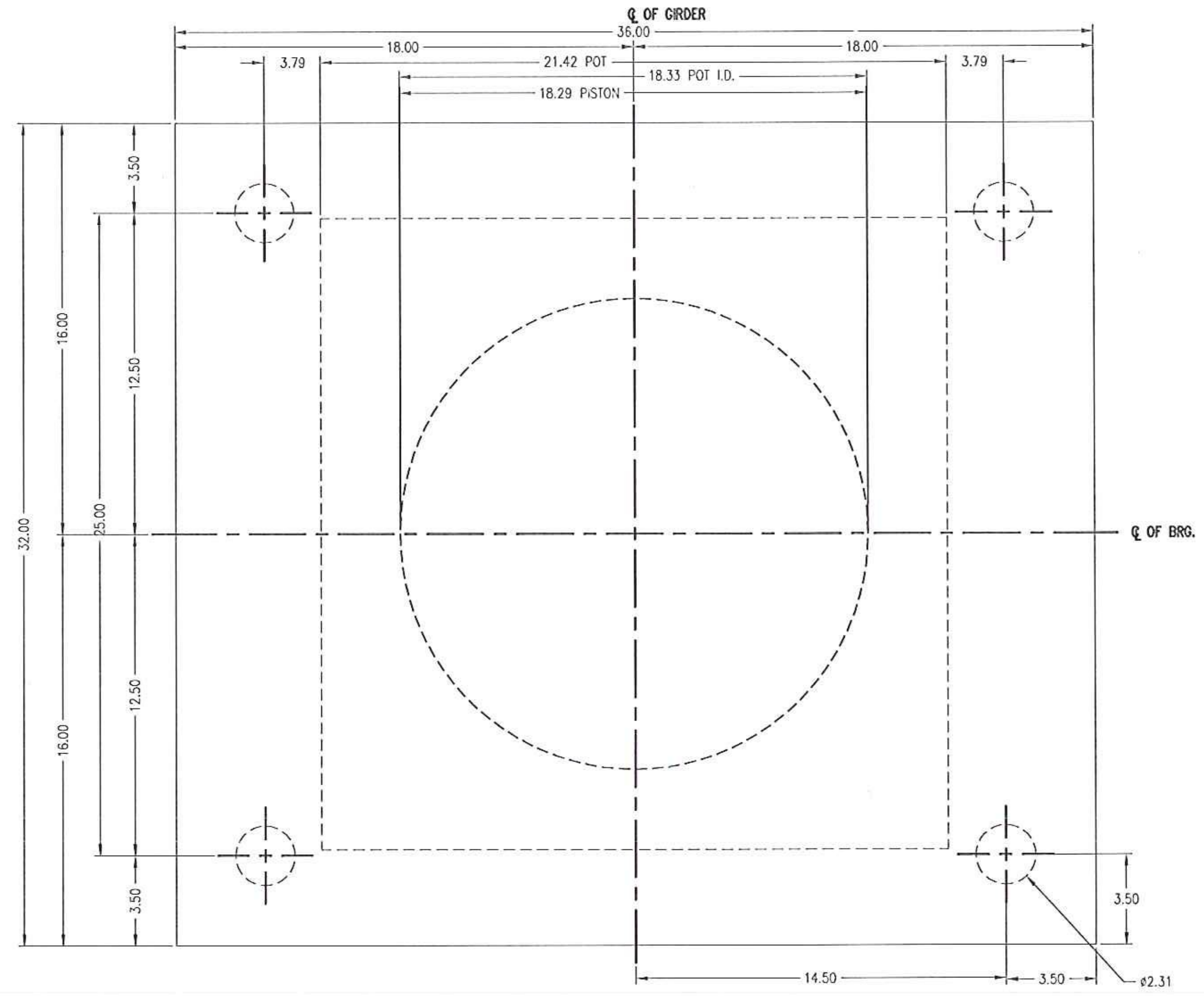
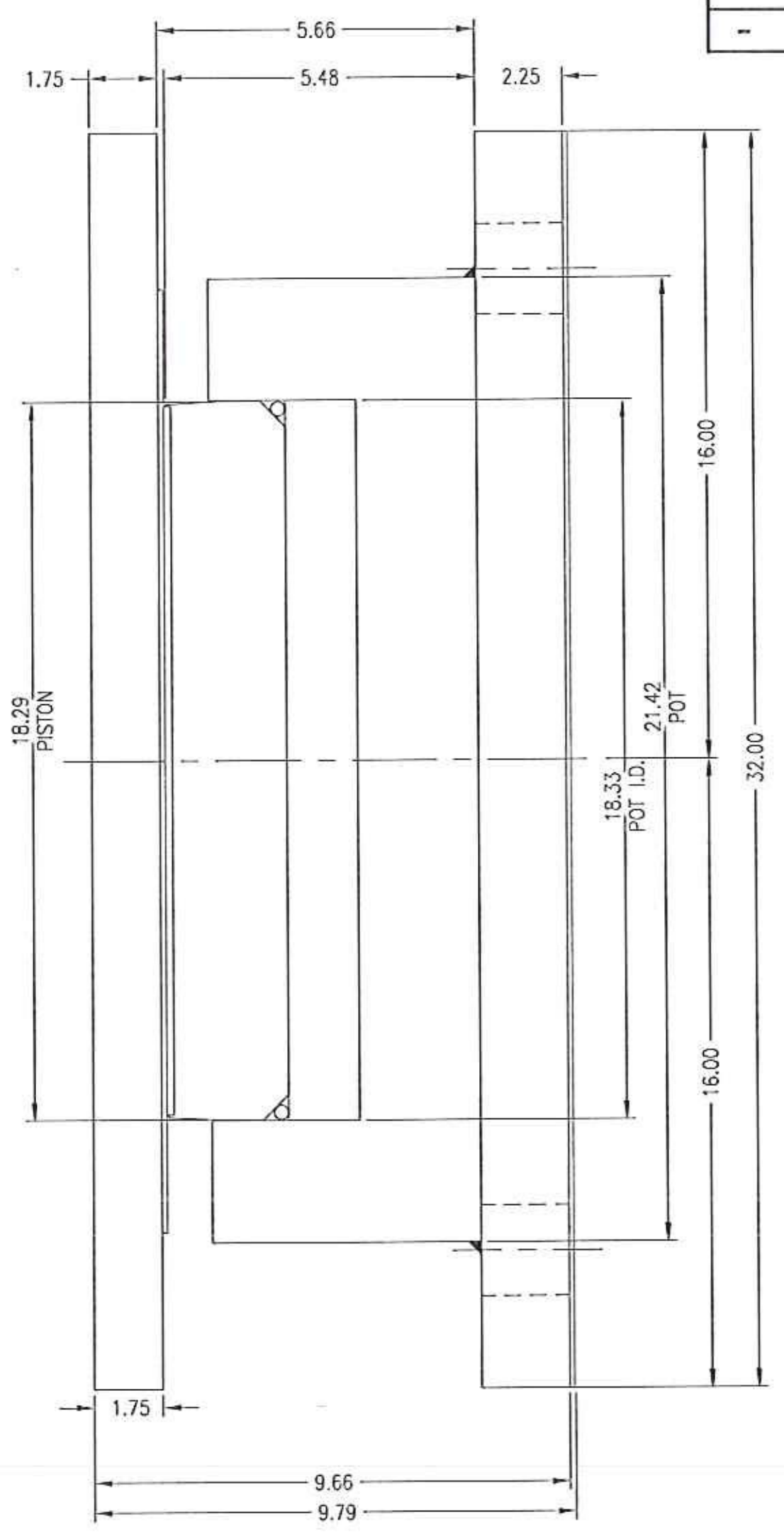


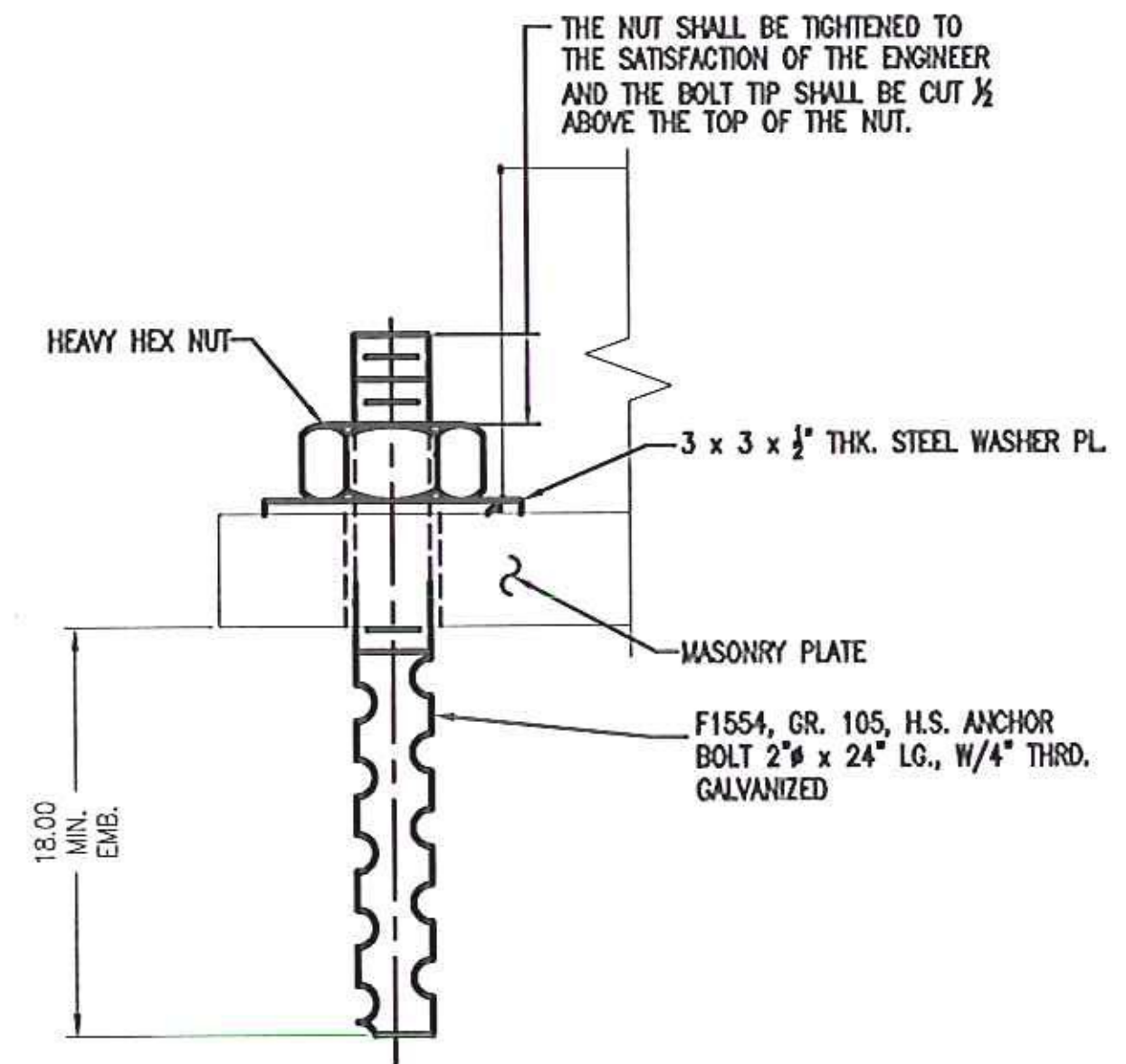
REVISIONS					
ZONE	REV	DESCRIPTION	DATE	REV. BY	APPROVED
--	A	AS PER ENGINEER & CHECKER'S MARKS	9/29/11	E.J.G.	R.F.
--	B	AS PER ENGINEER'S MARKS	10/6/11	E.J.G.	R.F.
--	C	DIMENSIONAL CHANGES DUE TO STEEL AVAILABILITY	11/11/11	E.J.G.	R.F.
--	D	AS PER ENGINEER'S MARKS	11/18/11	E.J.G.	R.F.



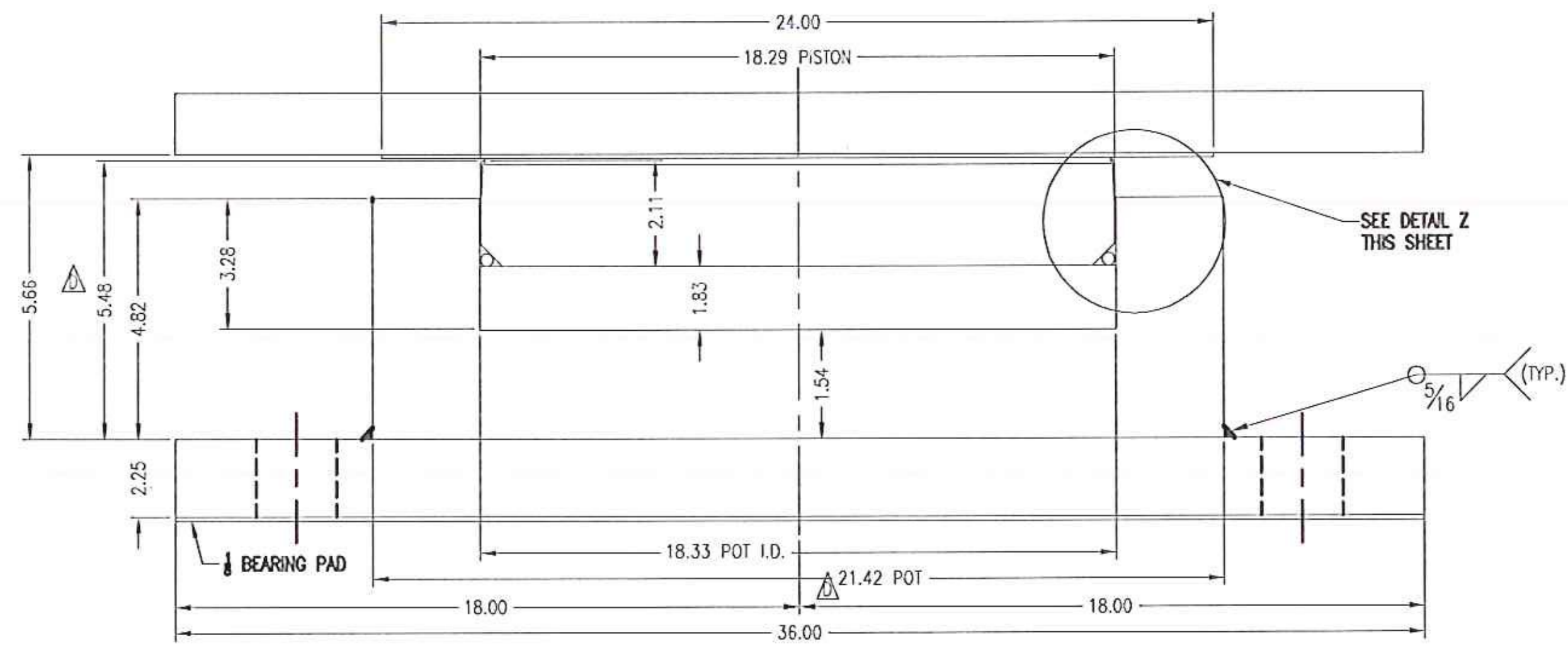
PLAN VIEW



SIDE VIEW

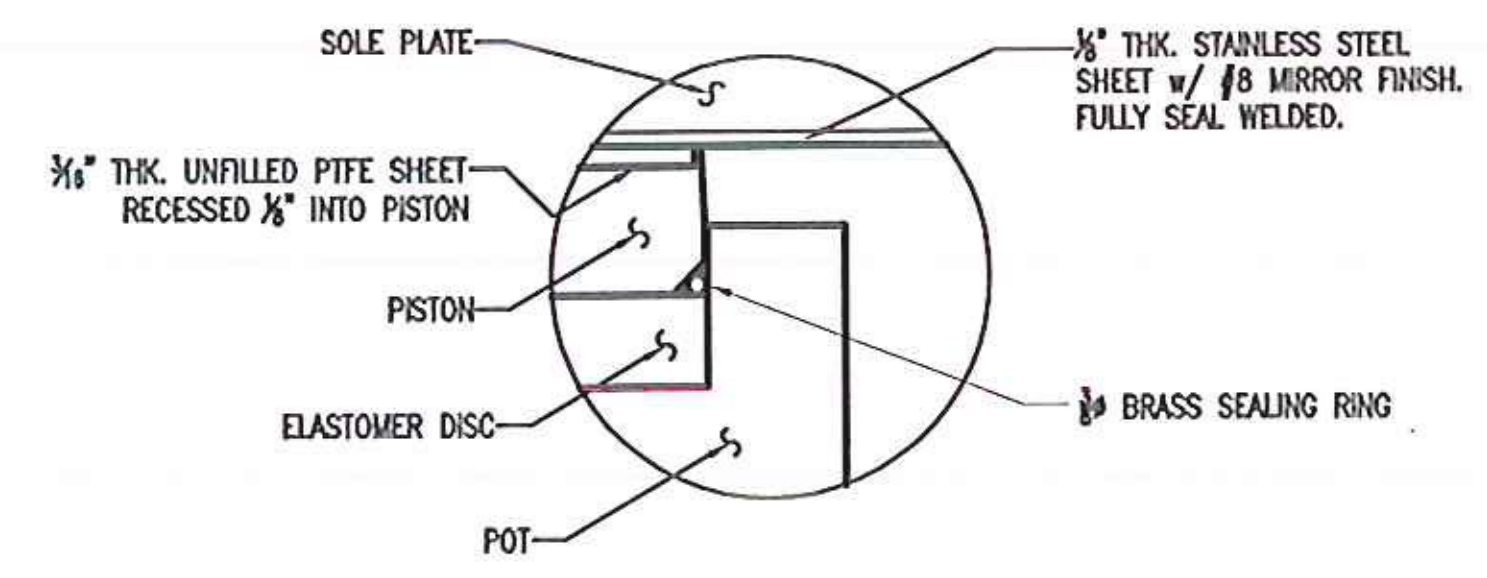


ANCHOR BOLT DETAIL
QTY. REQ'D = 4



SPAN PIER FTM EXPANSION BEARING (N4)

QTY. REQ'D = 1
924 KIPS



DETAIL Z

VTrans - PDD
NOV 16 2011
Structures Design
Section

Final

VERMONT AGENCY OF TRANSPORTATION
PROJECT NAME: BETHEL
PROJECT NUMBER: BRF-022-1(14)

AMSCOT
STRUCTURAL PRODUCTS CORP.

SCALE: N.T.S.	APPR'D: R.F.	DRAWN BY: P.S.
DATE: 8/19/11		REV: D
FTM EXPANSION TYPE HLMP POT BEARING		
FOR: BECK & BELLUCCI	SHEET NO 4 of 7	DWG NO: BB11A4RD