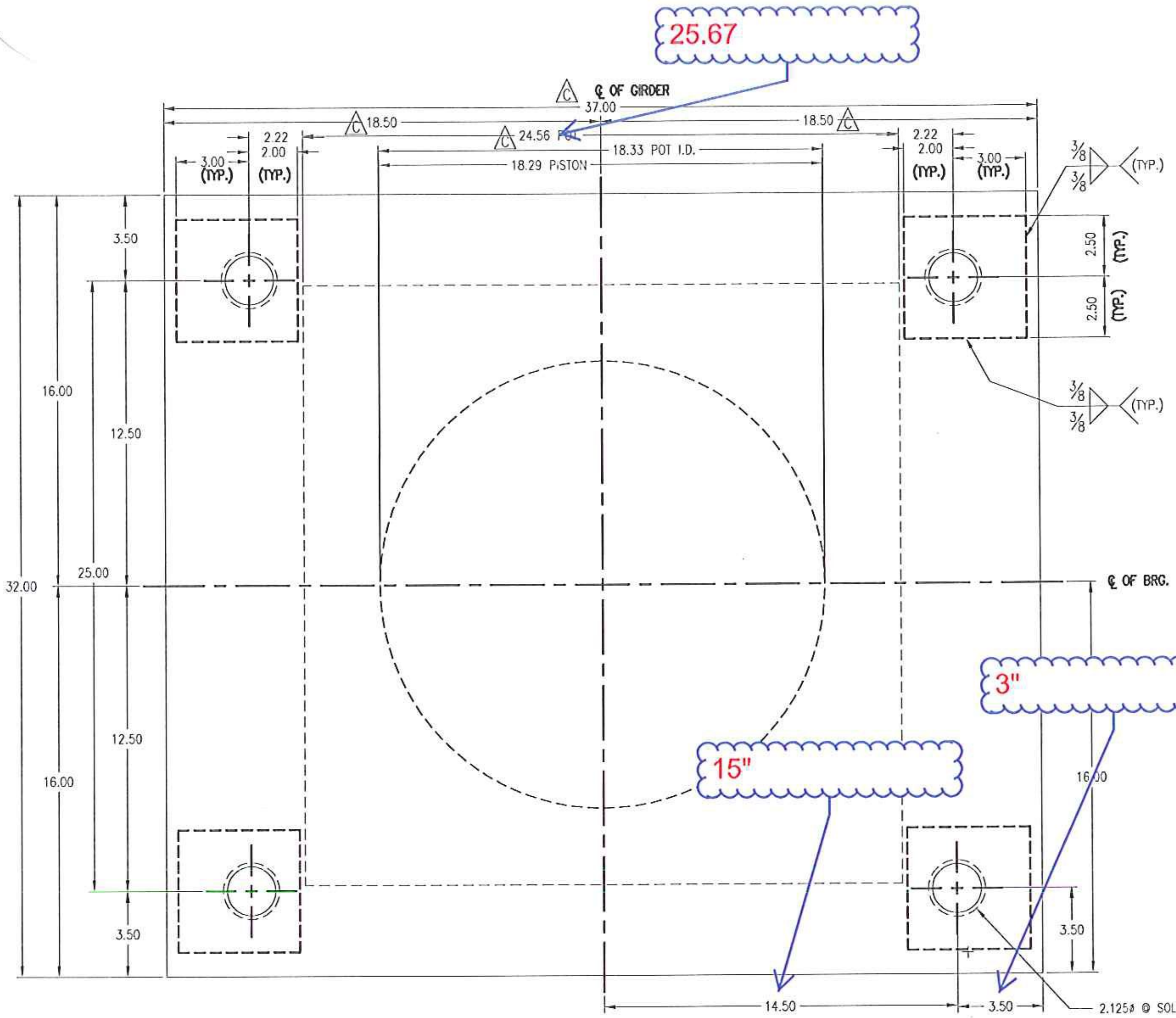
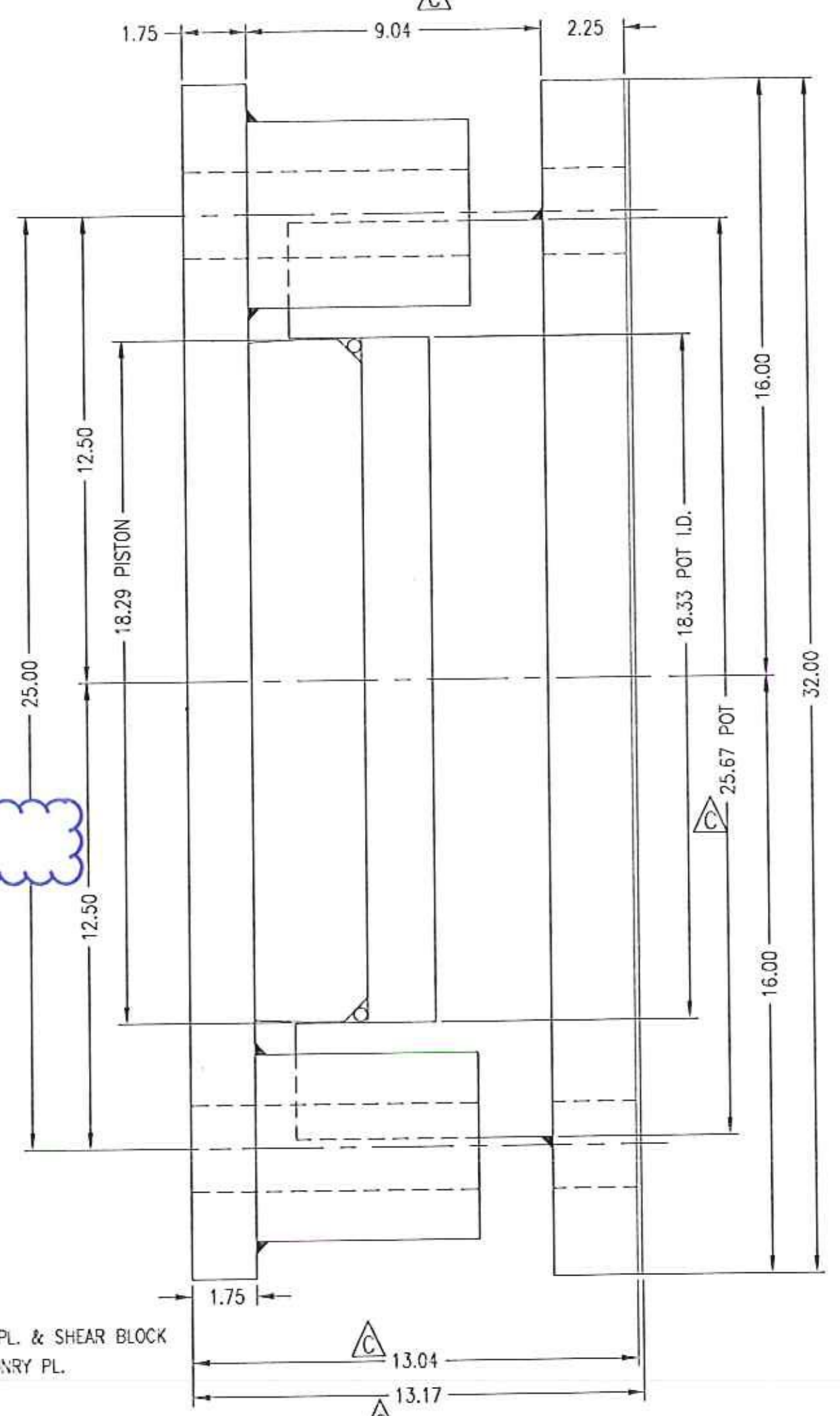


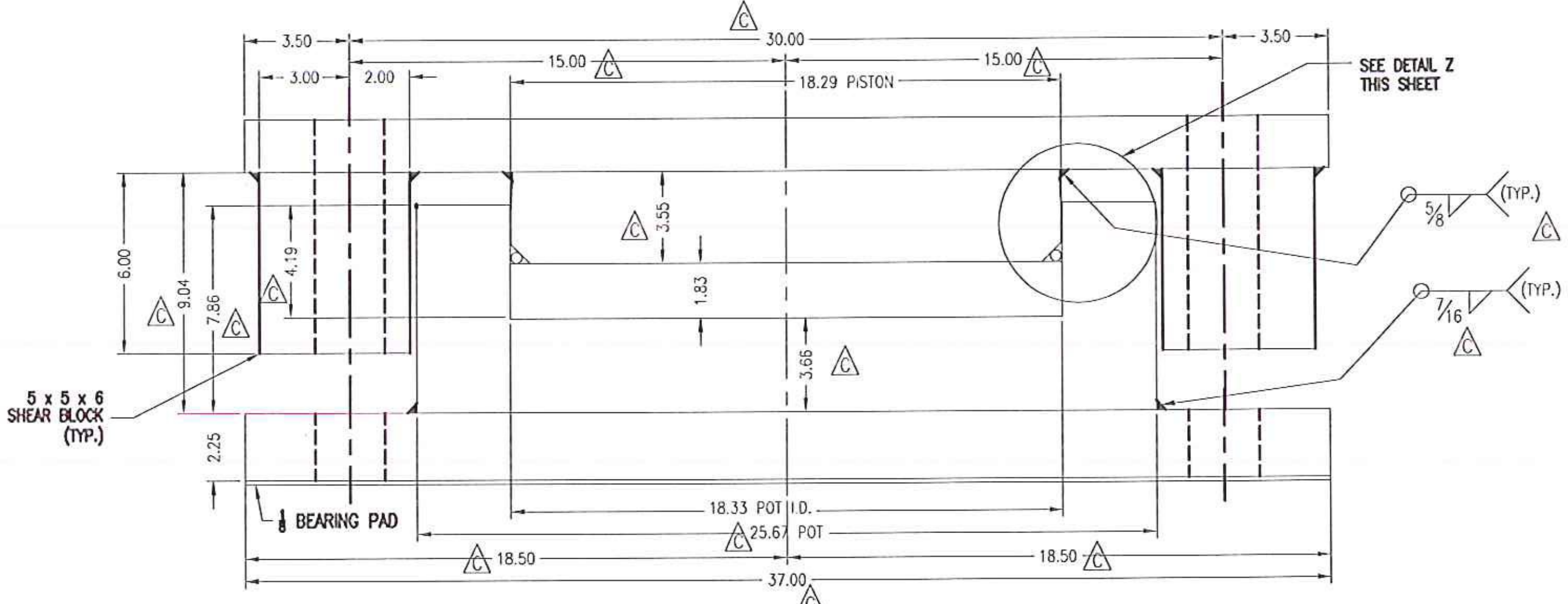
| ZONE |   | REV | DESCRIPTION                                   | DATE     | REV. BY | APPROVED |
|------|---|-----|-----------------------------------------------|----------|---------|----------|
| -    | A |     | AS PER ENGINEER & CHECKER'S MARKS             | 9/28/11  | E.J.G.  | R.F.     |
| -    | B |     | AS PER ENGINEER'S MARKS                       | 10/8/11  | E.J.G.  | R.F.     |
| -    | C |     | DIMENSIONAL CHANGES DUE TO STEEL AVAILABILITY | 11/11/11 | E.J.G.  | R.F.     |



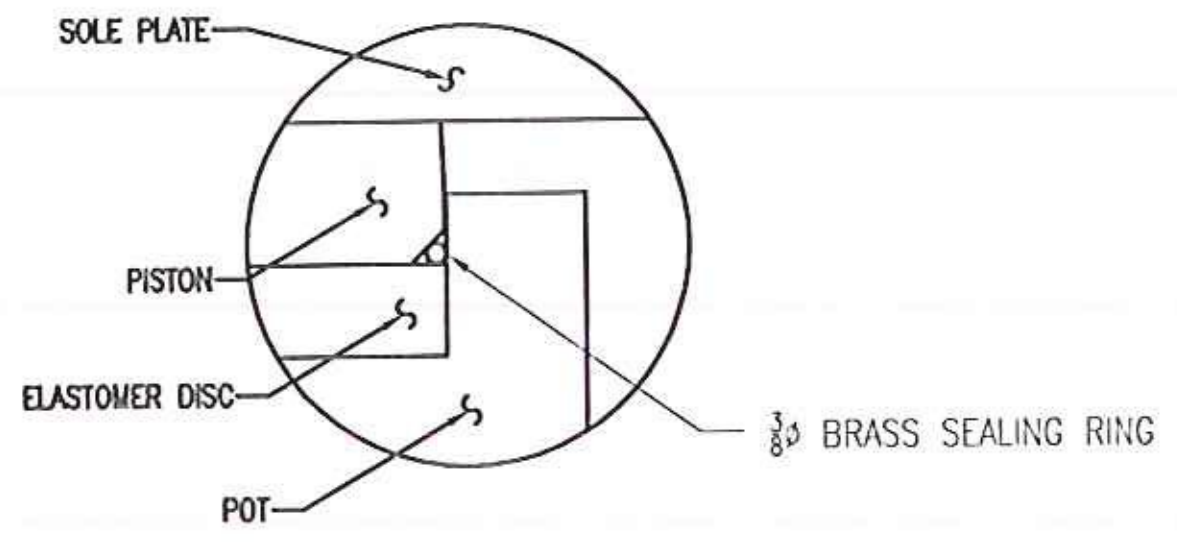
PLAN VIEW



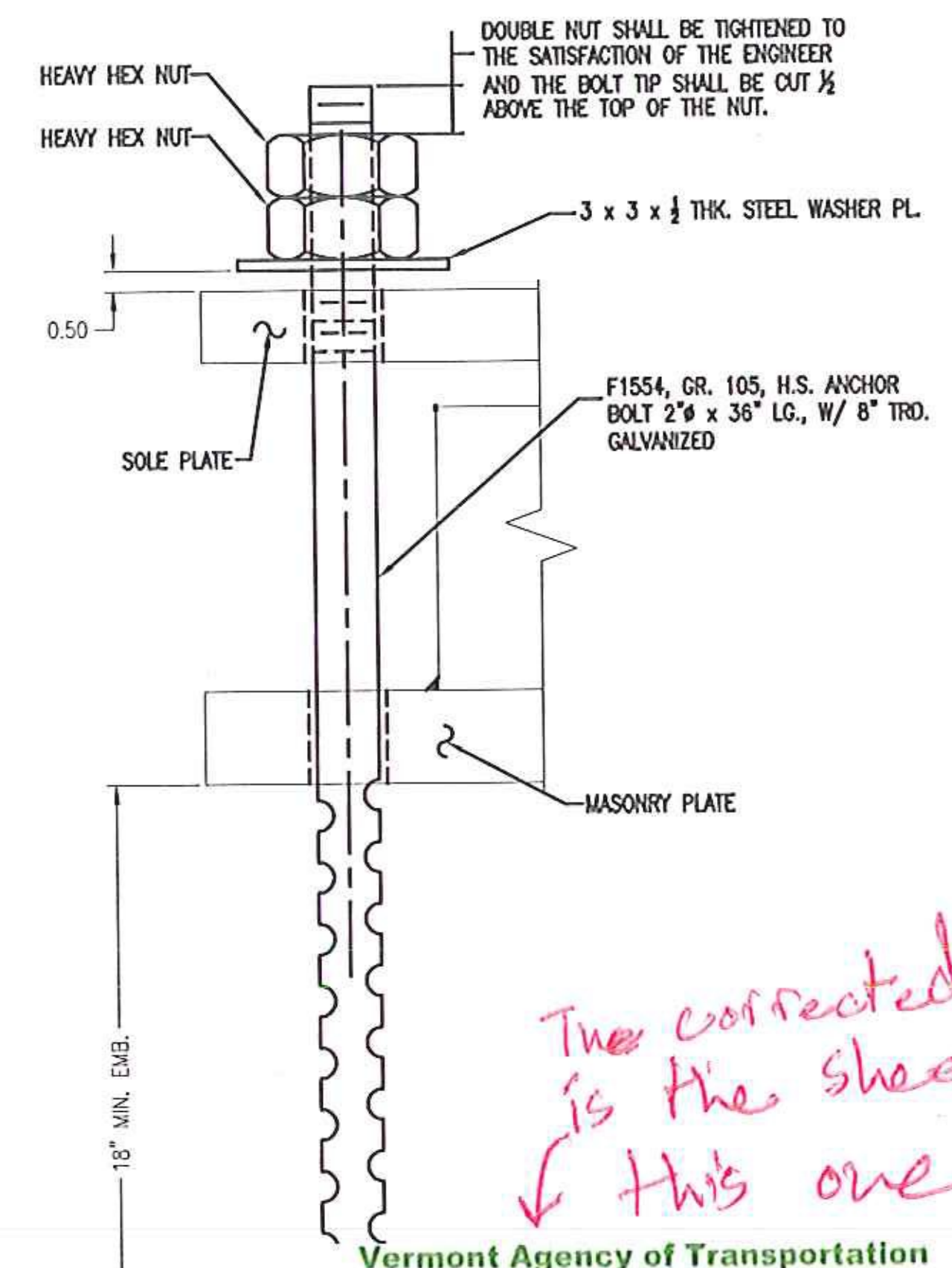
SIDE VIEW



SPAN PIER FIXED BEARING (N1)  
QTY. REQ'D = 1  
924 KIPS



DETAIL Z



*The corrected version is the sheet before this one*

Vermont Agency of Transportation  
**RECEIVED**  
CK'D BY NDVB OK'D BY SSS

ANCHOR QTY. F RESUBMIT BY APPROVED AS NOTED DATE 11/15/2011

VERMONT AGENCY OF TRANSPORTATION  
PROJECT NAME: BETHEL  
PROJECT NUMBER: BRF-022-1(14)

**AMSCOT**  
STRUCTURAL PRODUCTS CORP.

|               |              |                |
|---------------|--------------|----------------|
| SCALE: N.T.S. | APPR'D: R.F. | DRAWN BY: P.S. |
| DATE: 8/19/11 |              | REV: C         |

FIXED TYPE HLMR POT BEARING

|                      |                 |                  |
|----------------------|-----------------|------------------|
| FOR: BECK & BELLUCCI | SHEET NO 3 of 7 | DWG NO: BB11A3RC |
|----------------------|-----------------|------------------|