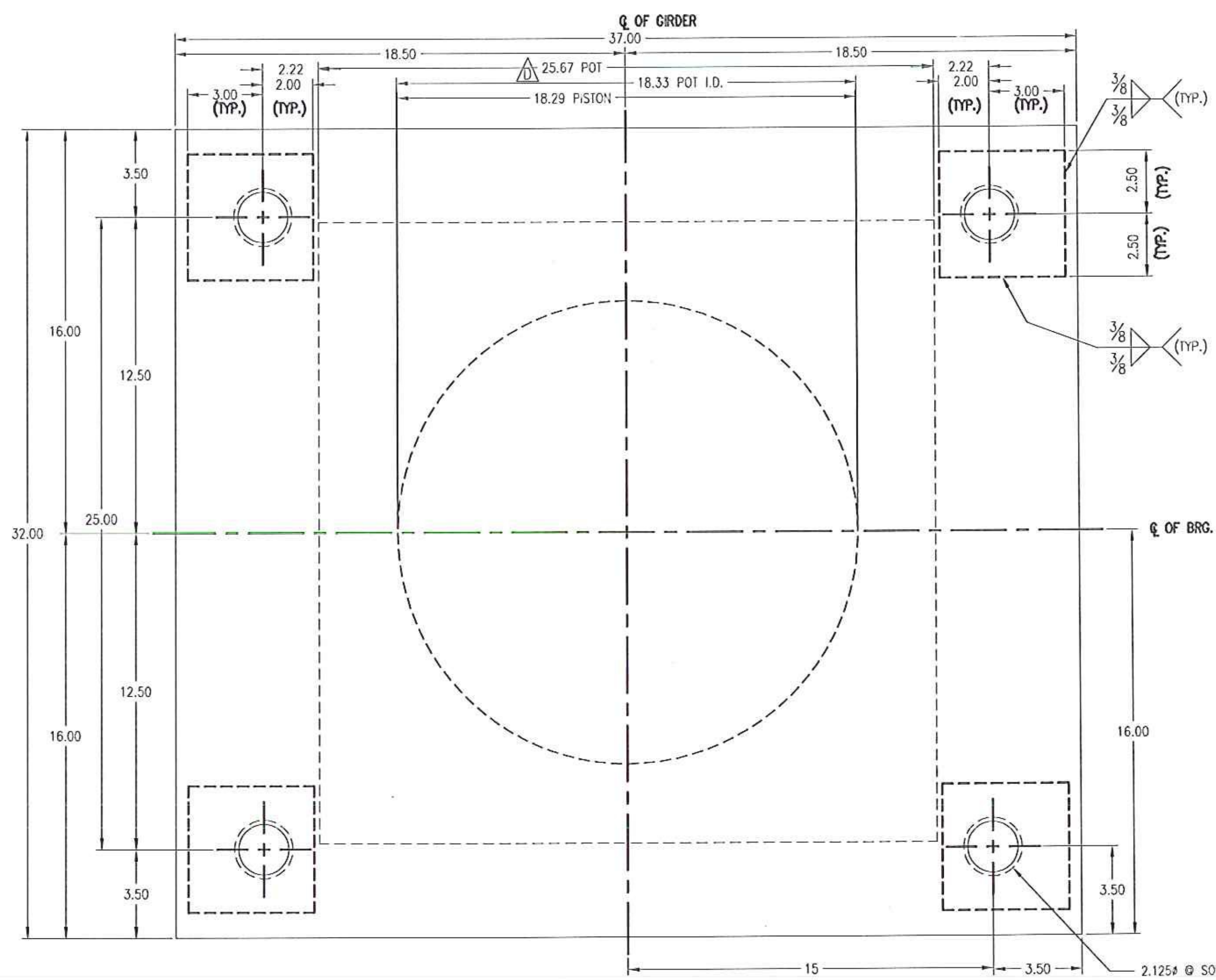
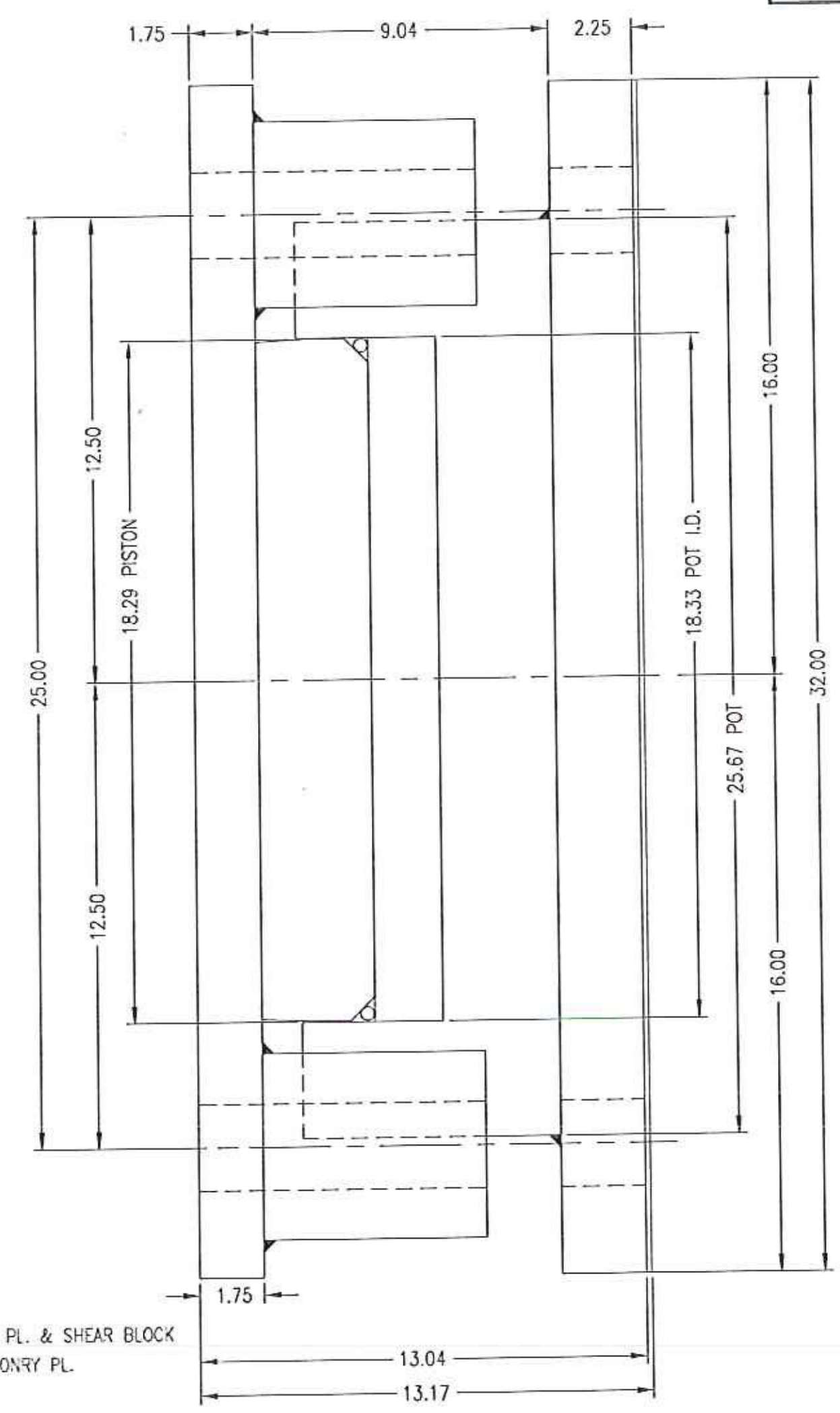


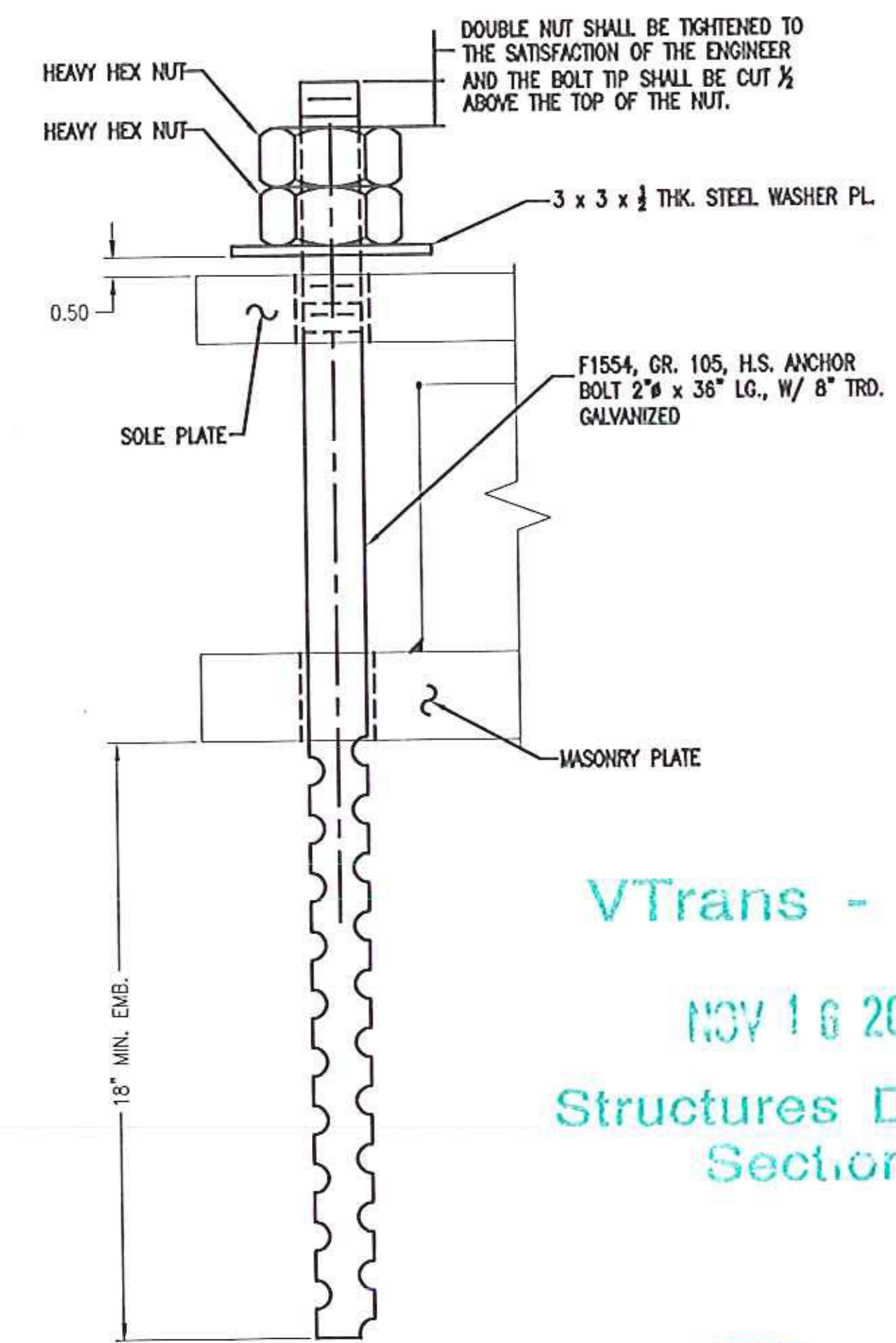
REVISIONS					
ZONE	REV	DESCRIPTION	DATE	REV. BY	APPROVED
-	A	AS PER ENGINEER & CHECKER'S MARKS	9/28/11	E.J.O.	R.F.
-	B	AS PER ENGINEER'S MARKS	10/8/11	E.J.O.	R.F.
-	C	DIMENSIONAL CHANGES DUE TO STEEL AVAILABILITY	11/11/11	E.J.O.	R.F.
-	D	AS PER ENGINEER'S MARKS	11/16/11	E.J.O.	R.F.



**PLAN VIEW**



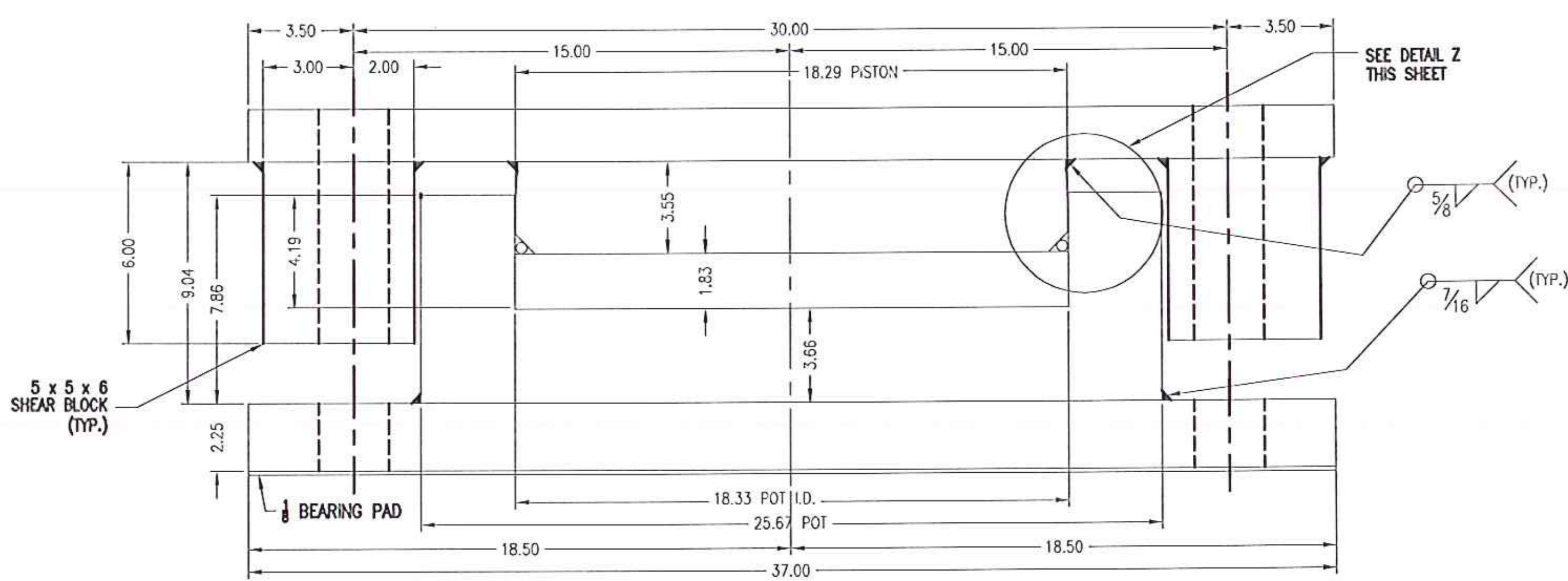
**SIDE VIEW**



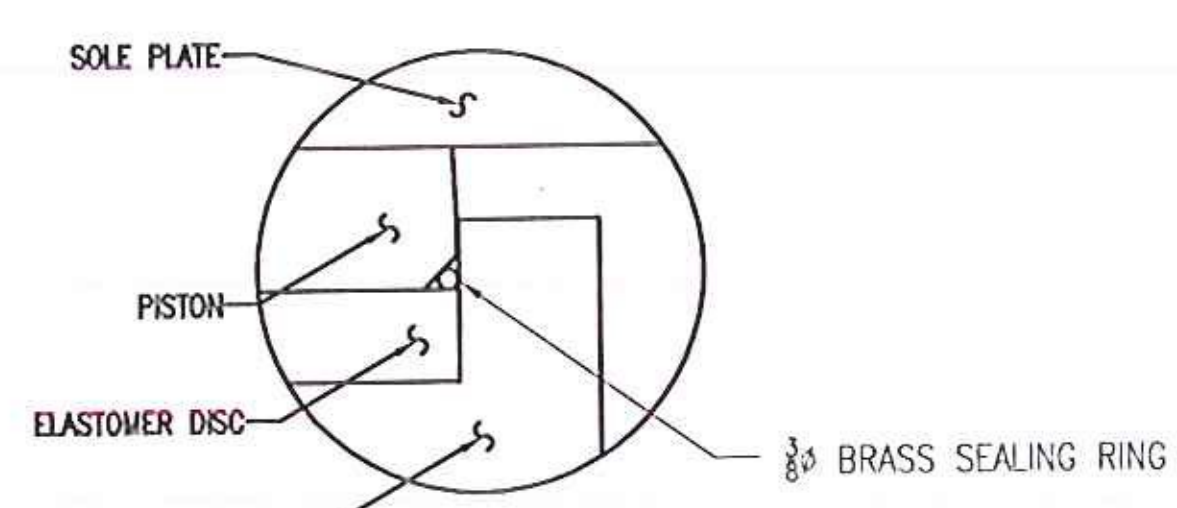
**ANCHOR BOLT DETAIL**  
QTY. REQ'D = 4

VTrans - PDD  
NOV 16 2011  
Structures Design Section

*Final*



**SPAN PIER FIXED BEARING (N1)**  
QTY. REQ'D = 1  
924 KIPS



**DETAIL Z**

VERMONT AGENCY OF TRANSPORTATION		
PROJECT NAME: BETHEL		
PROJECT NUMBER: BRF-022-1(14)		
<b>AMSCOT</b>		
STRUCTURAL PRODUCTS CORP.		
SCALE: N.T.S.	APPR'D: R.F.	DRAWN BY: P.S.
DATE: 8/19/11		REV: D
FIXED TYPE HLMR POT BEARING		
FOR: BECK & BELLUCCI	SHEET NO 3 of 7	DWG NO: BB11A3RD