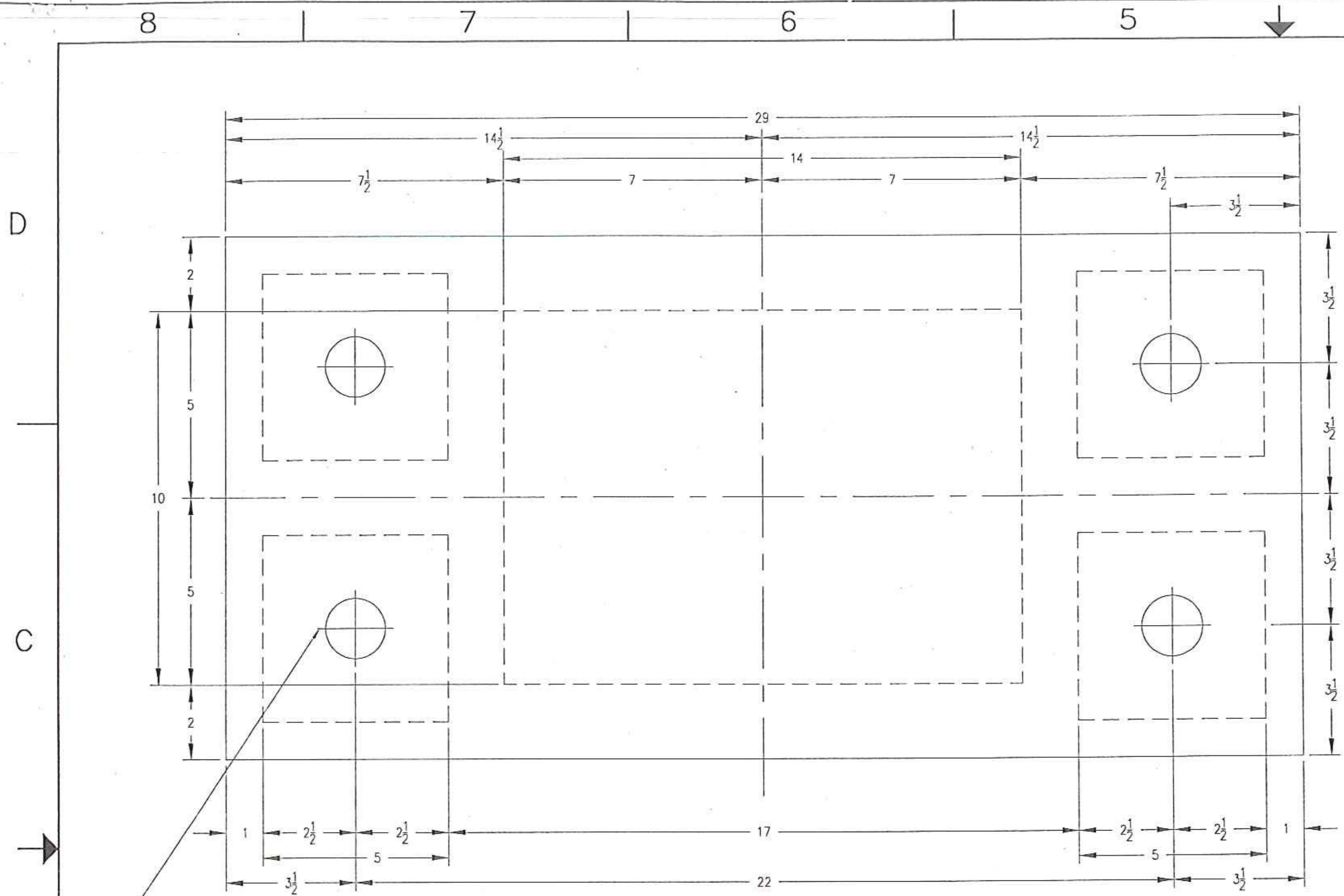
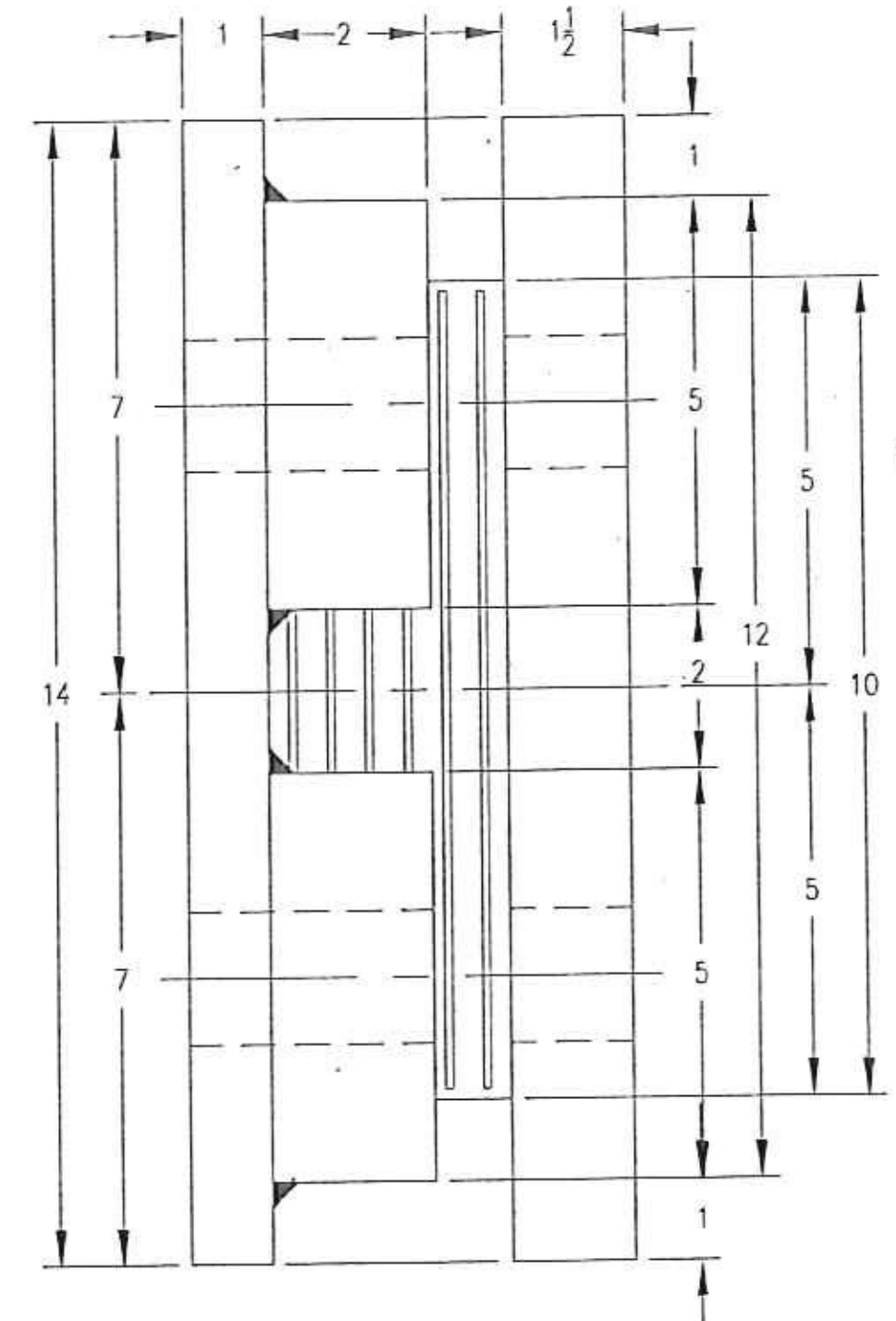


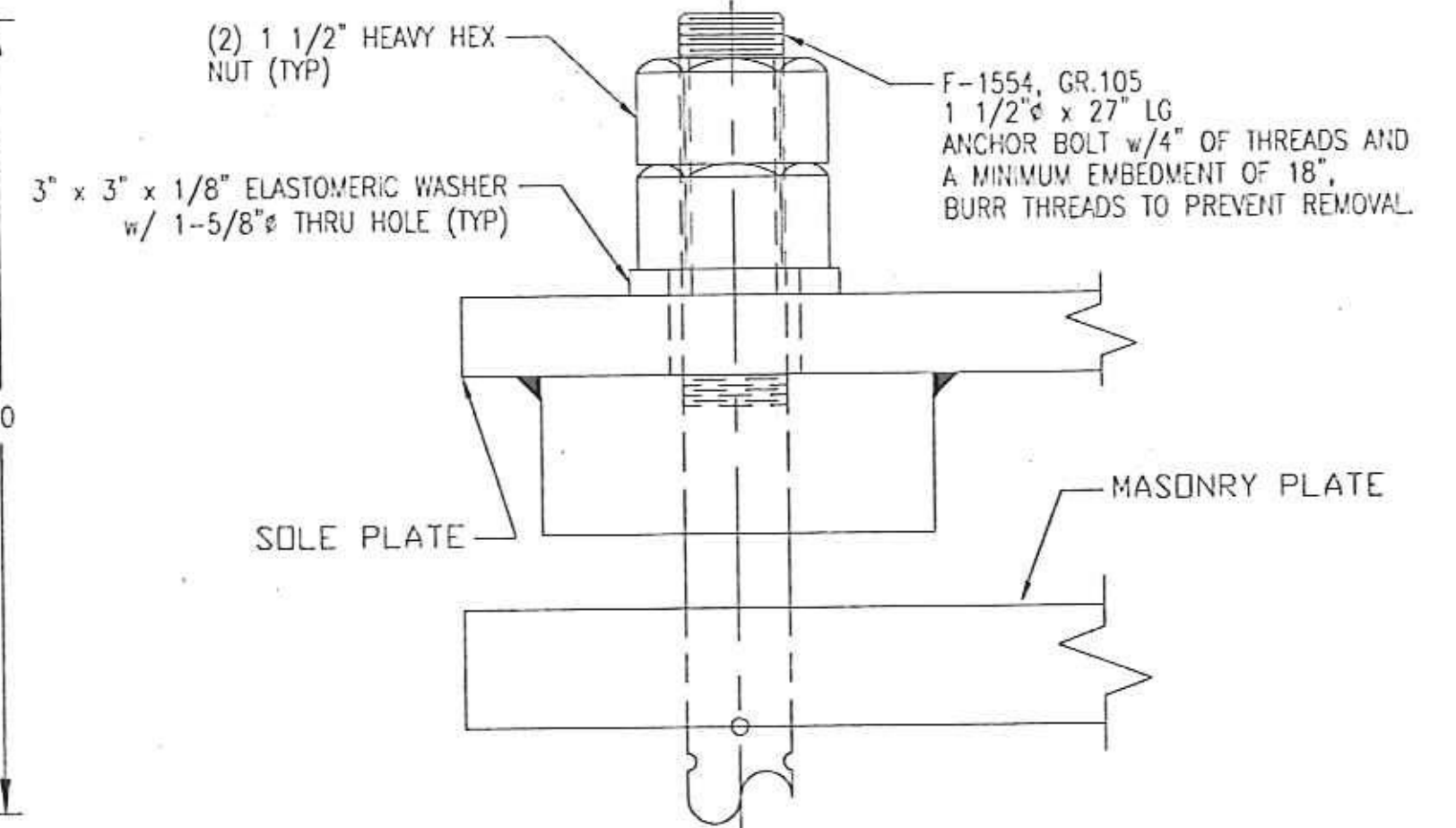
REVISIONS					
ZONE	REV	DESCRIPTION	DATE	REV. BY	APPROVED
-	A	PER ENGINEER & CHECKER'S MARKS	9/28/11	E.J.G.	R.F.
-	B	PER ENGINEER'S MARKS	10/6/11	E.J.G.	R.F.



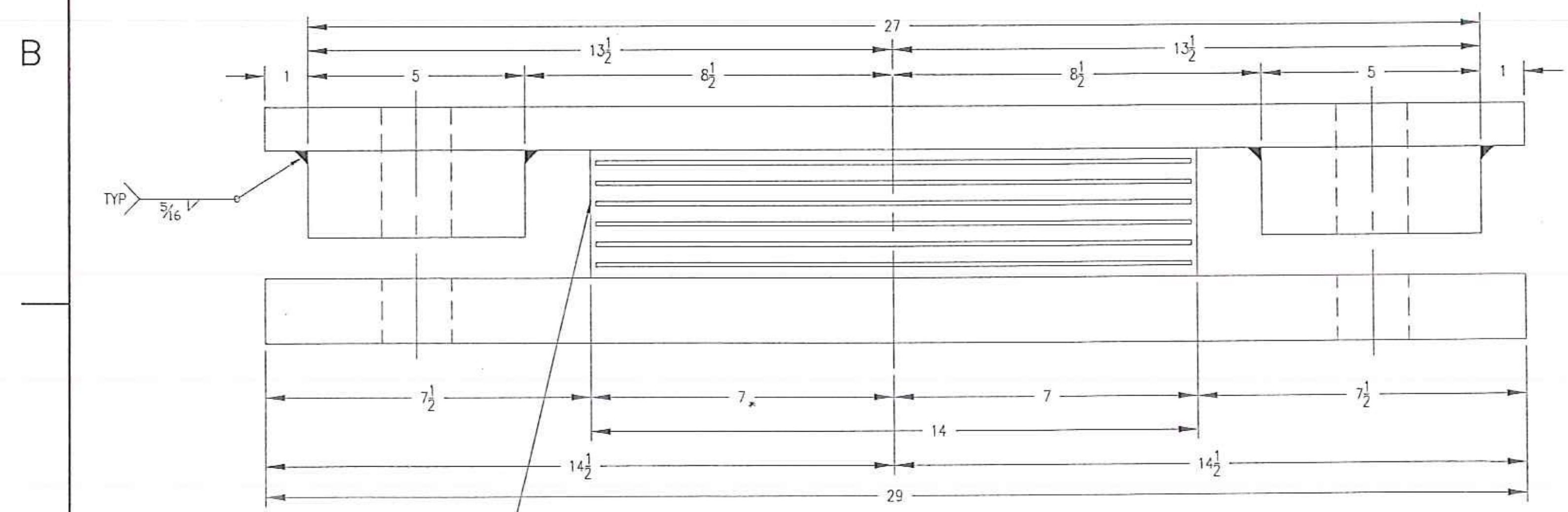
SPAN PIER FIXED BEARING
PLAN VIEW



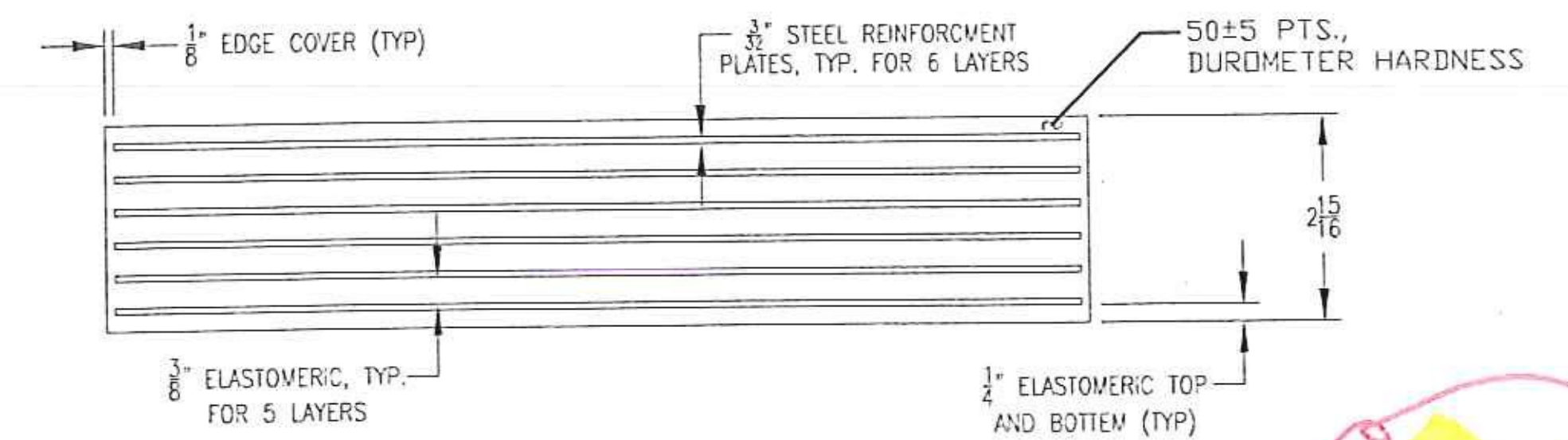
SPAN PIER FIXED BEARING
SIDE ELEVATION



ANCHOR BOLT DETAIL
QTY. REQ'D = 20



SPAN PIER BEARING END ELEVATION
QTY. REQ'D = 5



ELASTOMERIC BEARING MAKEUP DETAIL

Final

RECEIVED
 CK'D BY AVDB OK'D BY SSS
 OCT 14 2011
 RESUBMIT _____ APPROVED
 BY _____ DATE 10/18/11

VERMONT AGENCY OF TRANSPORTATION
 PROJECT NAME: BETHEL
 PROJECT NUMBER: BRF-022-1(14)

AMSCOT
 STRUCTURAL PRODUCTS CORP.

SCALE: N.T.S.	APPR'D: R.F.	DRAWN BY: P.S.
DATE: 8/19/11		REV: B
LAMINATED ELASTOMERIC BEARING PADS NATURAL RUBBER		
FOR: BECK & BELLUCCI	SHEET NO 2 of 7	DWG NO: BB11A2RB

14"x10"x2 1/8"
 REINFORCED ELASTOMERIC PAD
 ATTACH TO SOLE PLATE (SEE
 ELASTOMERIC BEARING MAKEUP DETAIL)