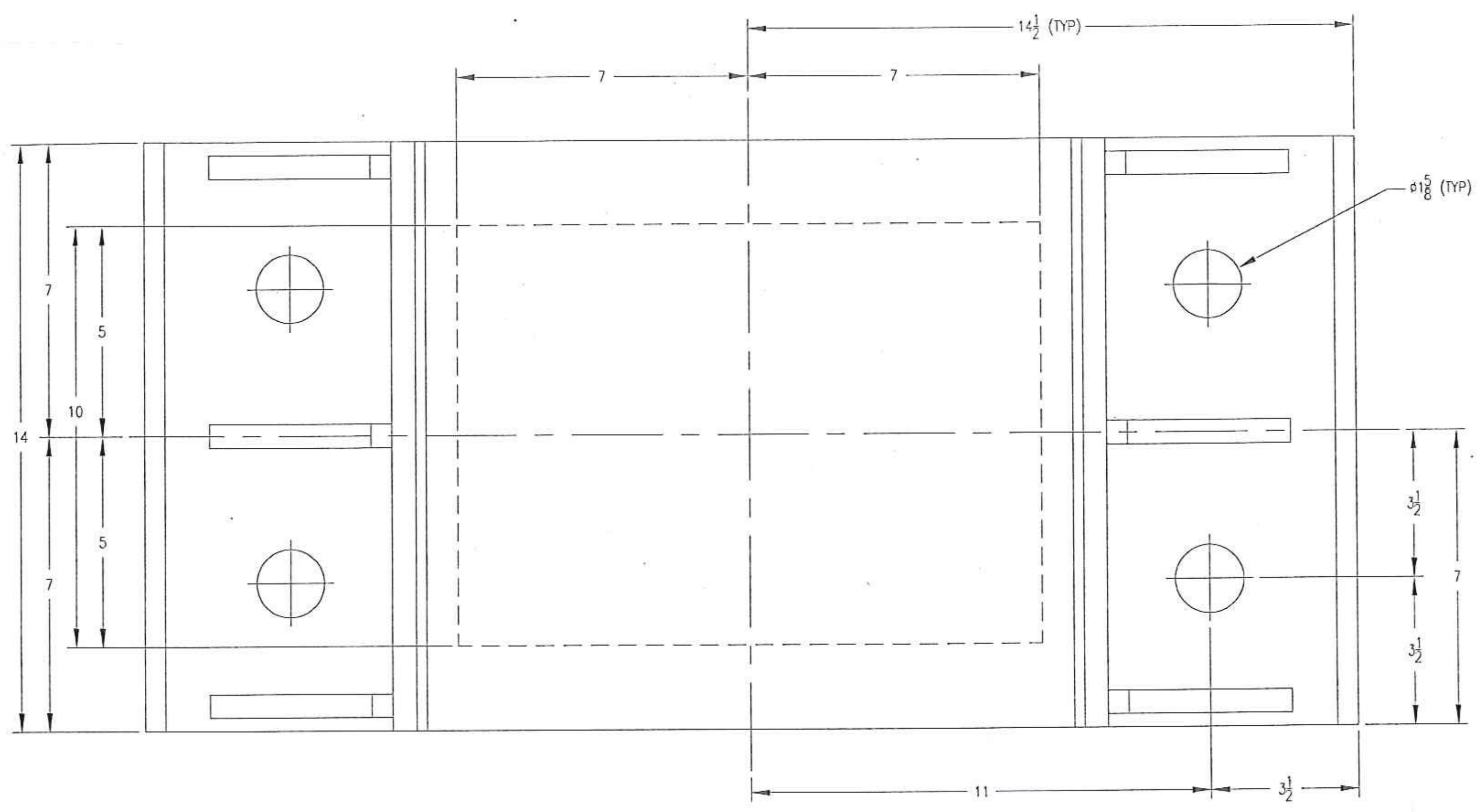
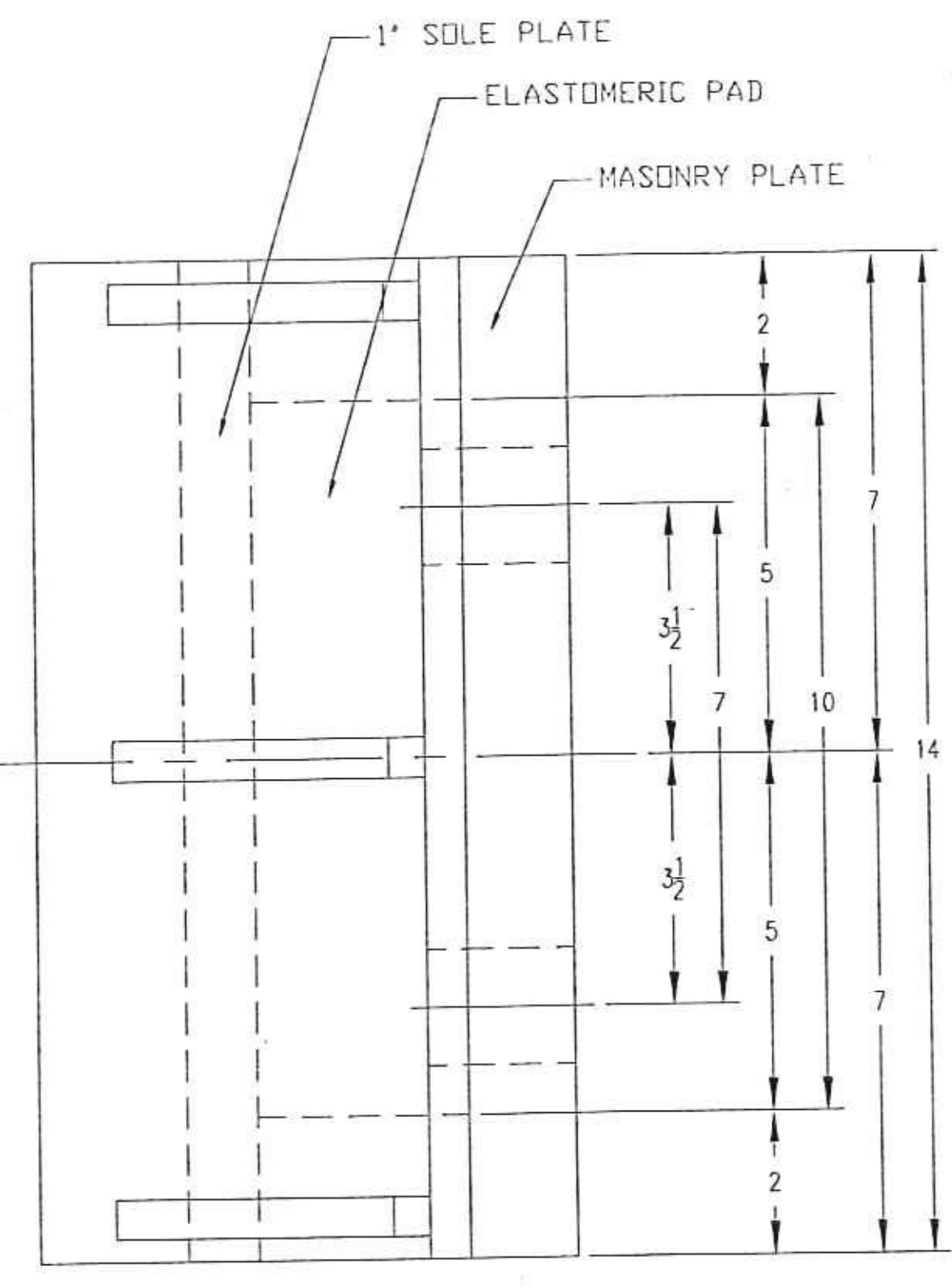


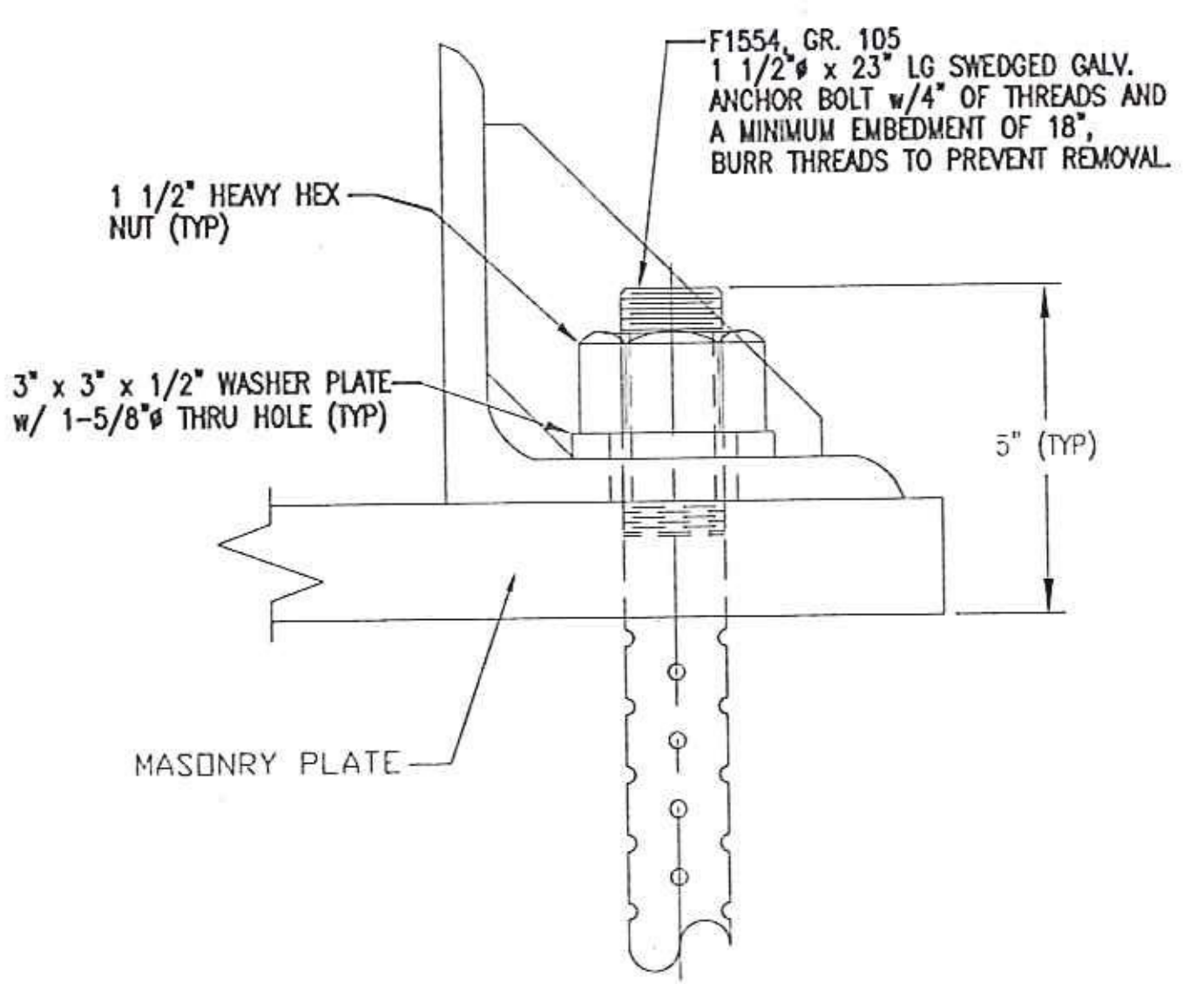
REVISIONS					
ZONE	REV	DESCRIPTION	DATE	REV. BY	APPROVED
-	A	PER ENGINEER & CHECKER MARKS	9/28/11	E.L.G.	R.F.



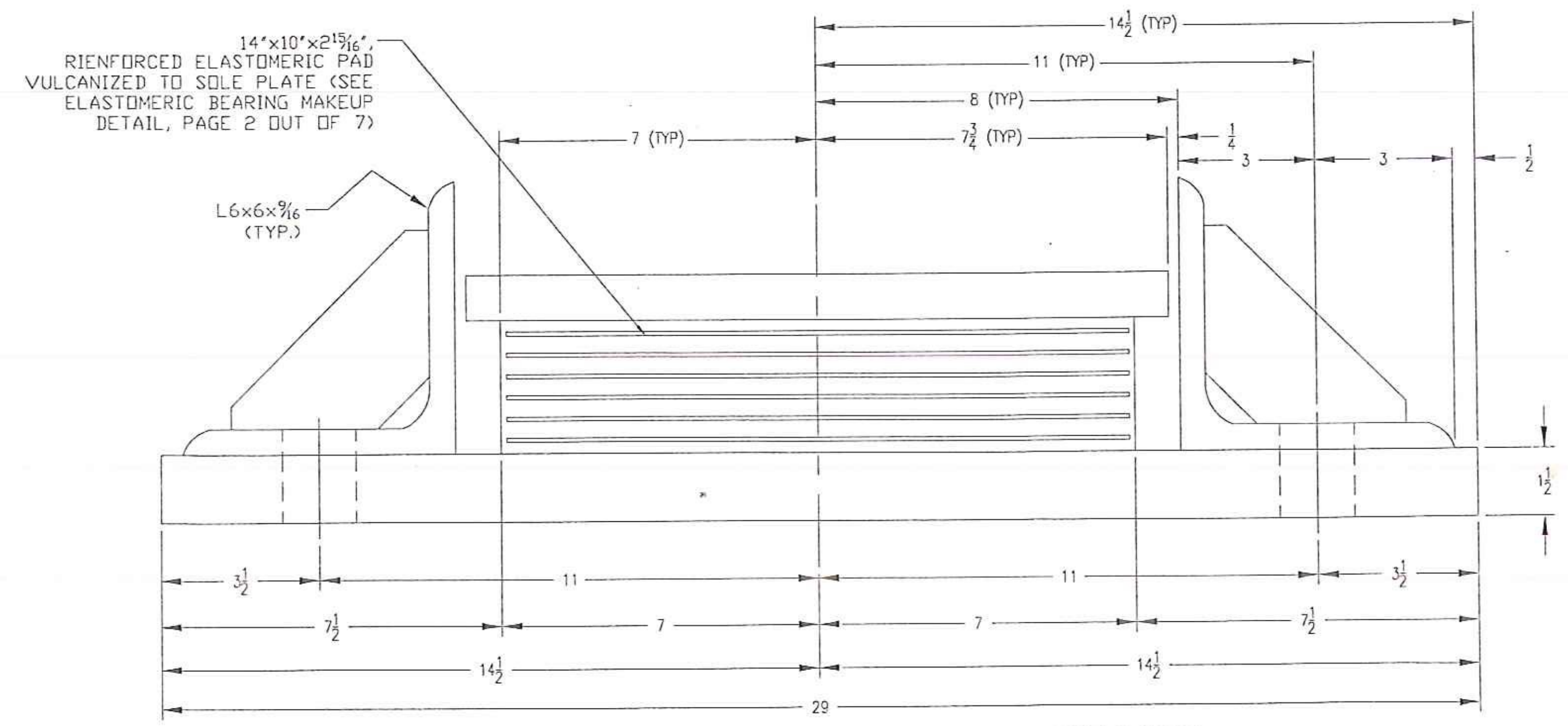
**ABUTMENT #1 EXPANSION BEARING  
PLAN VIEW**



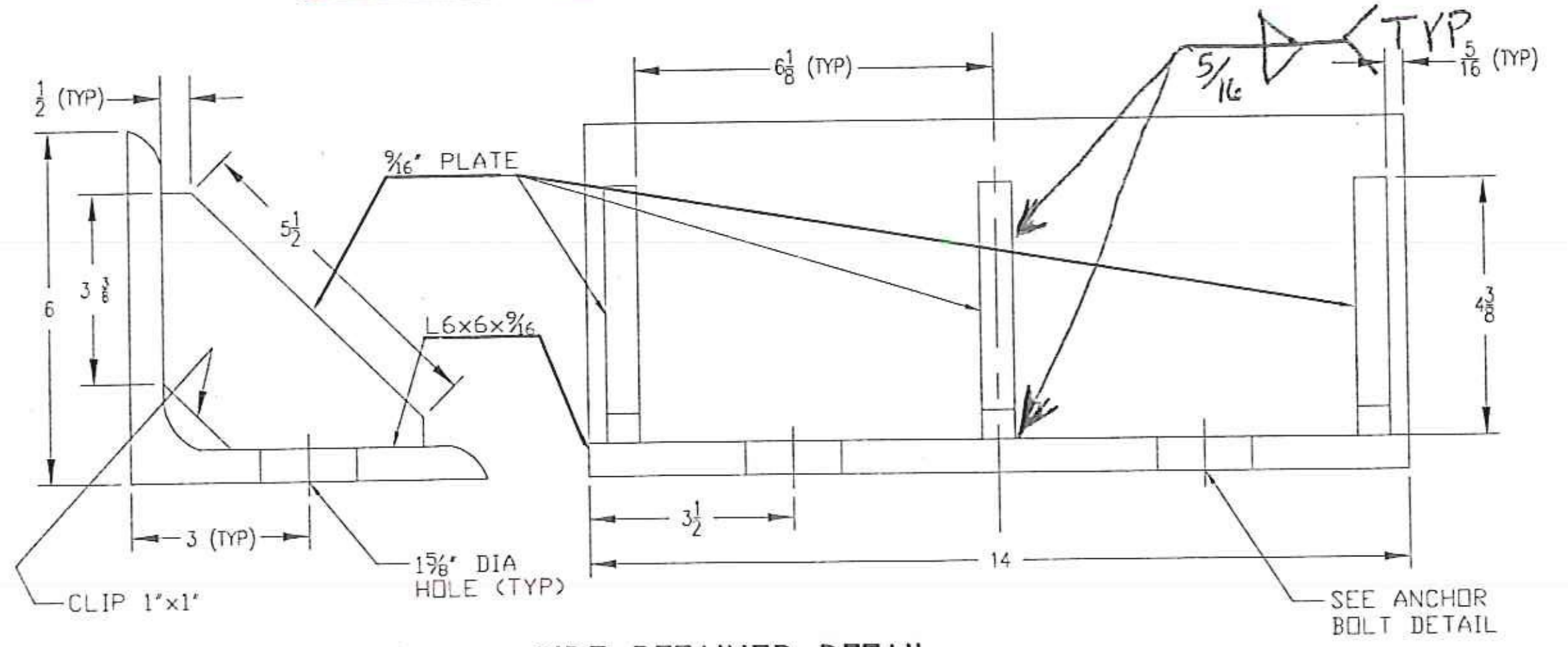
**ABUTMENT #1 EXPANSION BEARING  
SIDE ELEVATION**



**ANCHOR BOLT DETAIL  
QTY. REQ'D = 20**



**ABUTMENT #1 EXPANSION BEARING END ELEVATION  
QTY. REQ'D = 5**



**SIDE RETAINER DETAIL**

RECEIVED  
 CK'D BY AVVDB OK'D BY SSS  
 OCT 14 2011  
 RESUBMIT \_\_\_\_\_ APPROVED AS NOTED  
 BY \_\_\_\_\_ DATE 10/18/11

VERMONT AGENCY OF TRANSPORTATION  
 PROJECT NAME: BETHEL  
 PROJECT NUMBER: BRF-022-1(14)

**AMSCOT**  
 STRUCTURAL PRODUCTS CORP.

SCALE: N.T.S.	APPR'D: _____	DRAWN BY: P.S.
DATE: 8/19/11	R.F.	REV: A
LAMINATED ELASTOMERIC BEARING PADS NATURAL RUBBER		
FOR: BECK & BELLUCCI	SHEET NO 1 of 7	DWG NO: BB11A1RA