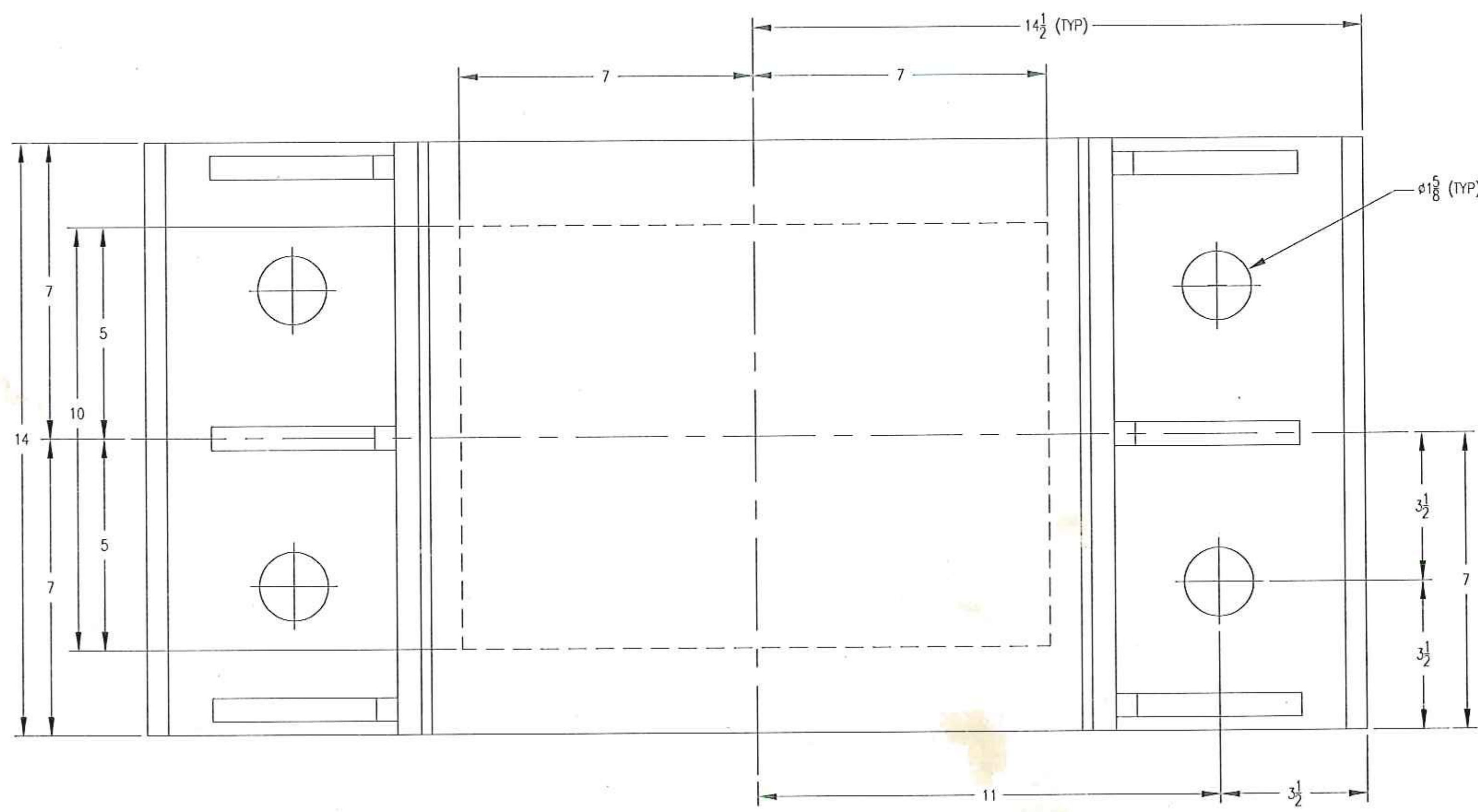
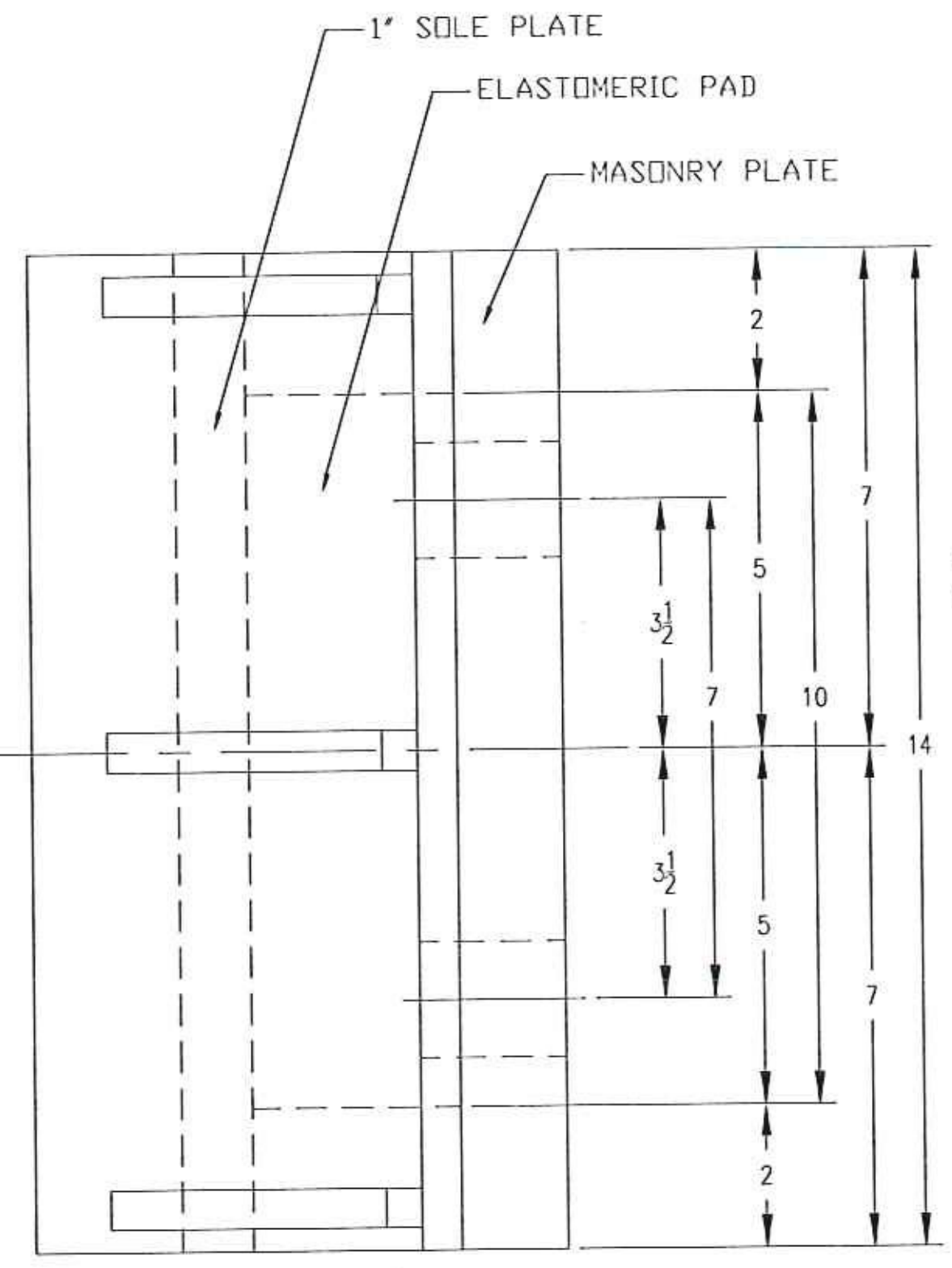


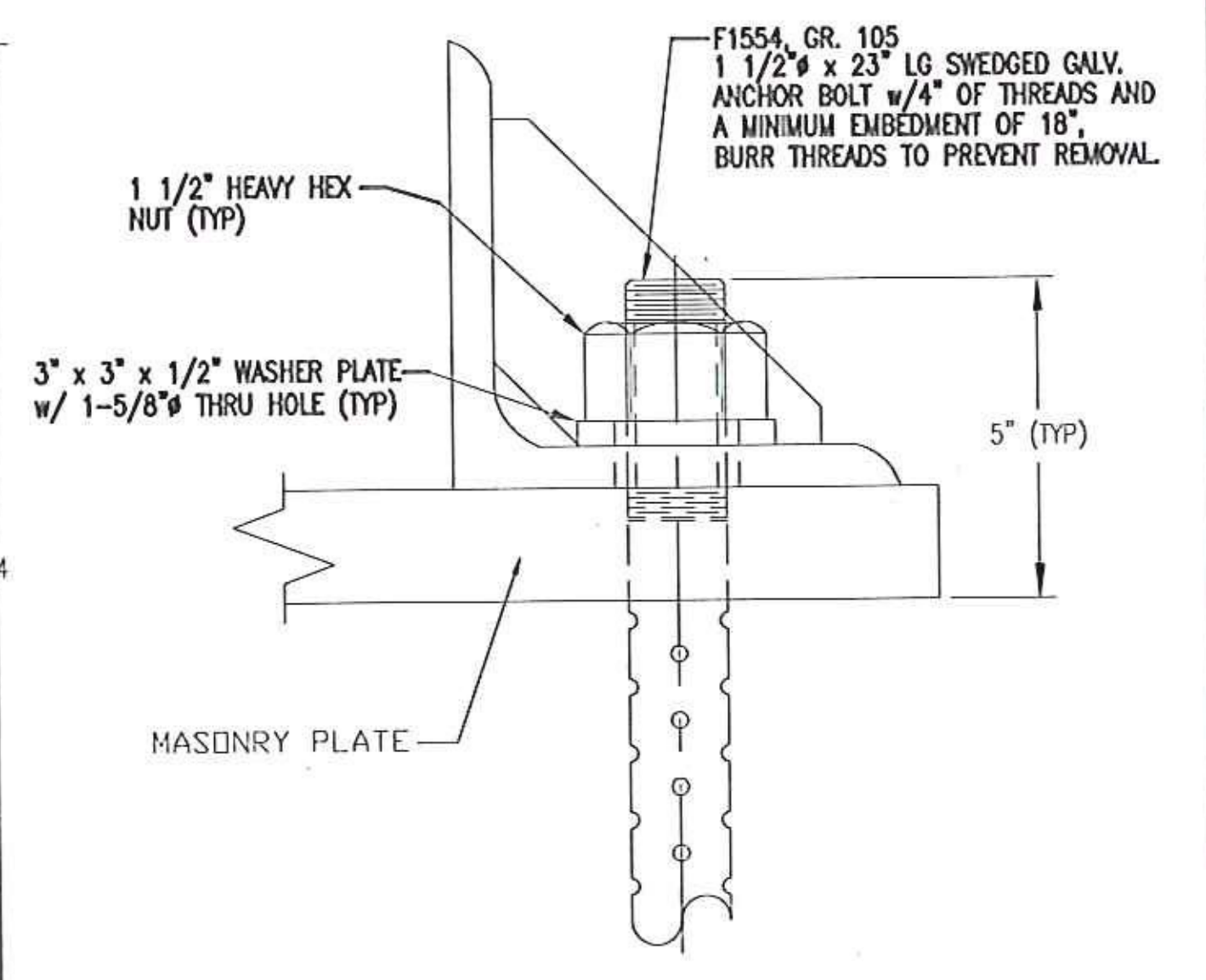
REVISIONS					
ZONE	REV	DESCRIPTION	DATE	REV. BY	APPROVED
-	A	PER ENGINEER & CHECKER MARKS	9/28/11	E.L.G.	R.F.
-	B	CHG. ANGLE TO 60°/1/2	11/1/11	E.L.G.	R.F.



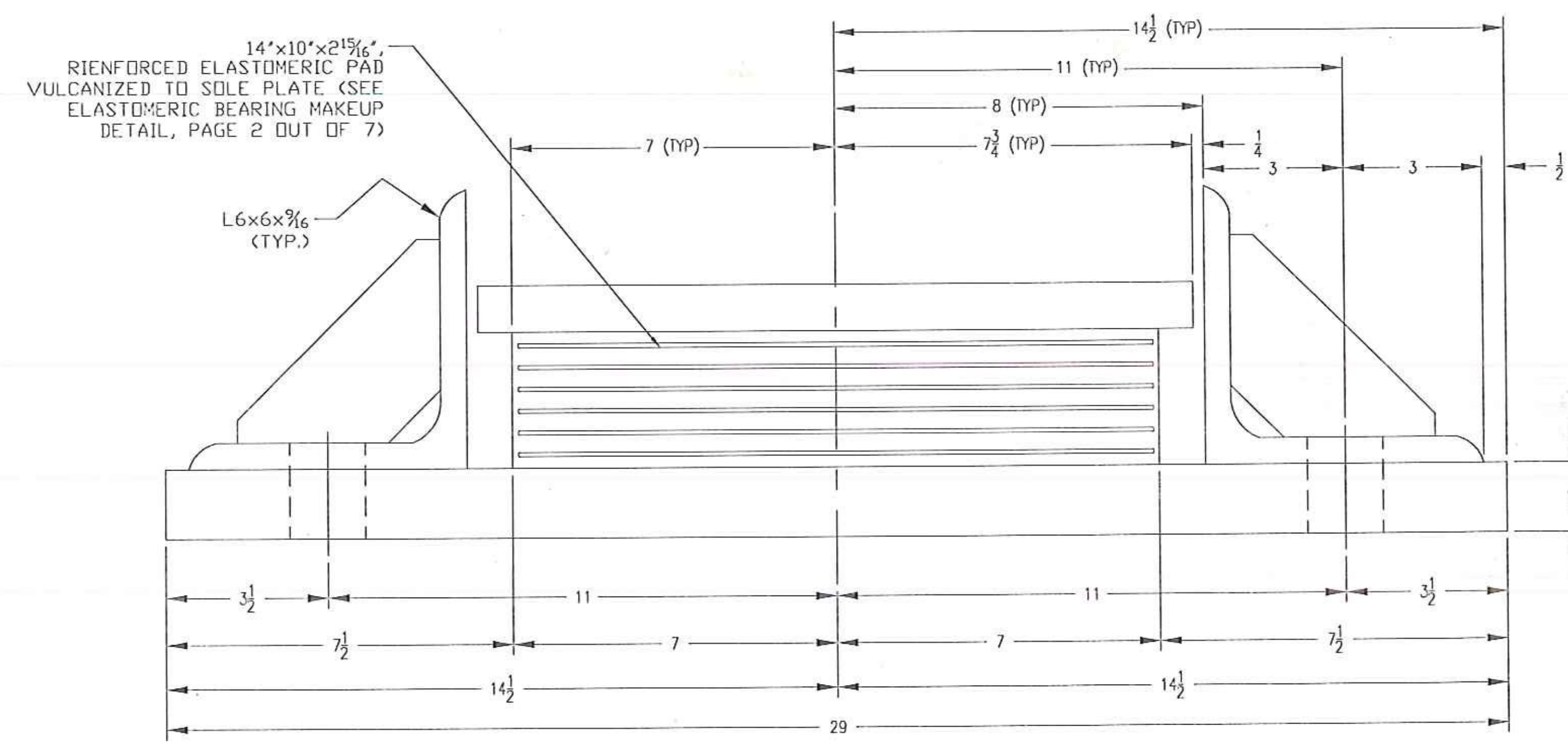
**ABUTMENT #1 EXPANSION BEARING
PLAN VIEW**



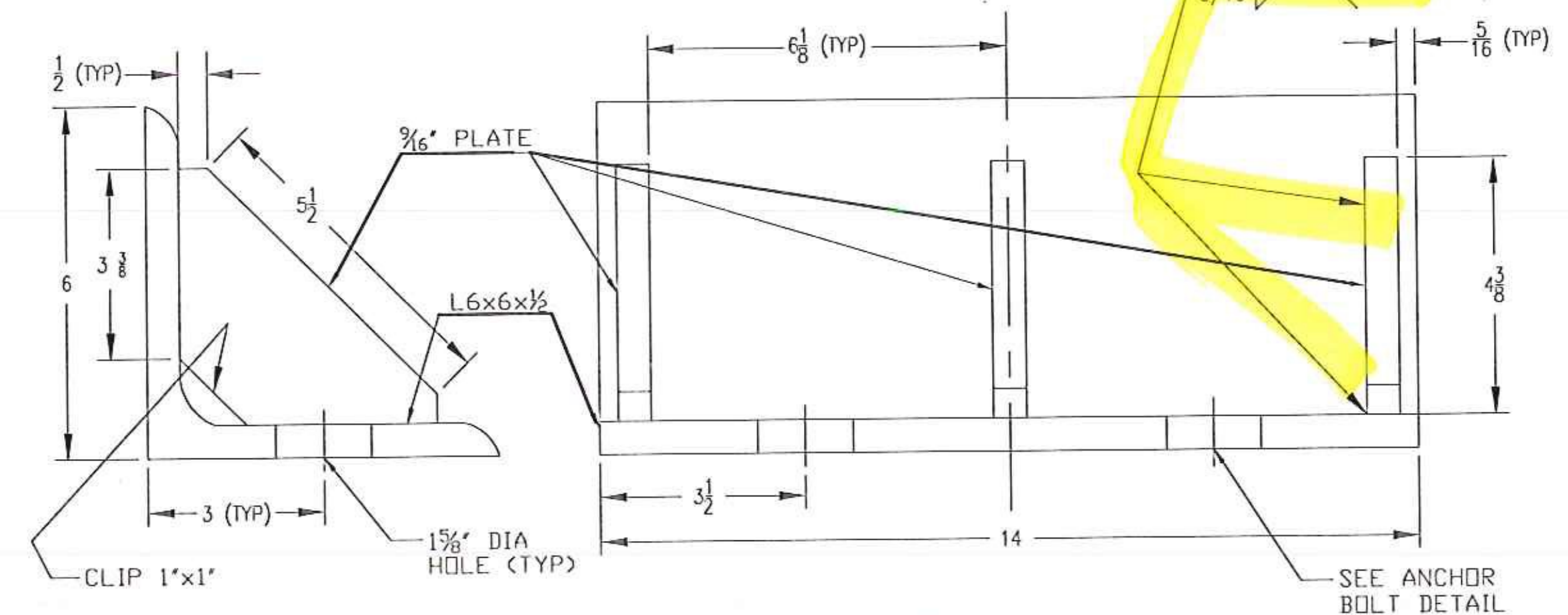
**ABUTMENT #1 EXPANSION BEARING
SIDE ELEVATION**



**ANCHOR BOLT DETAIL
QTY. REQ'D = 20**



**ABUTMENT #1 EXPANSION BEARING END ELEVATION
QTY. REQ'D = 5**



VTrans - PDD SIDE RETAINER DETAIL

NOV 04 2011
Structures Design
Section

Final

VERMONT AGENCY OF TRANSPORTATION
PROJECT NAME: BETHEL
PROJECT NUMBER: BRF-022-1(14)

AMSCOT
STRUCTURAL PRODUCTS CORP.

SCALE: N.T.S.	APPR'D: R.F.	DRAWN BY: P.S.
DATE: 8/19/11		REV: B
LAMINATED ELASTOMERIC BEARING PADS NATURAL RUBBER		
FOR: BECK & BELLUCCI	SHEET NO 1 of 7	DWG NO: BB11A1RB