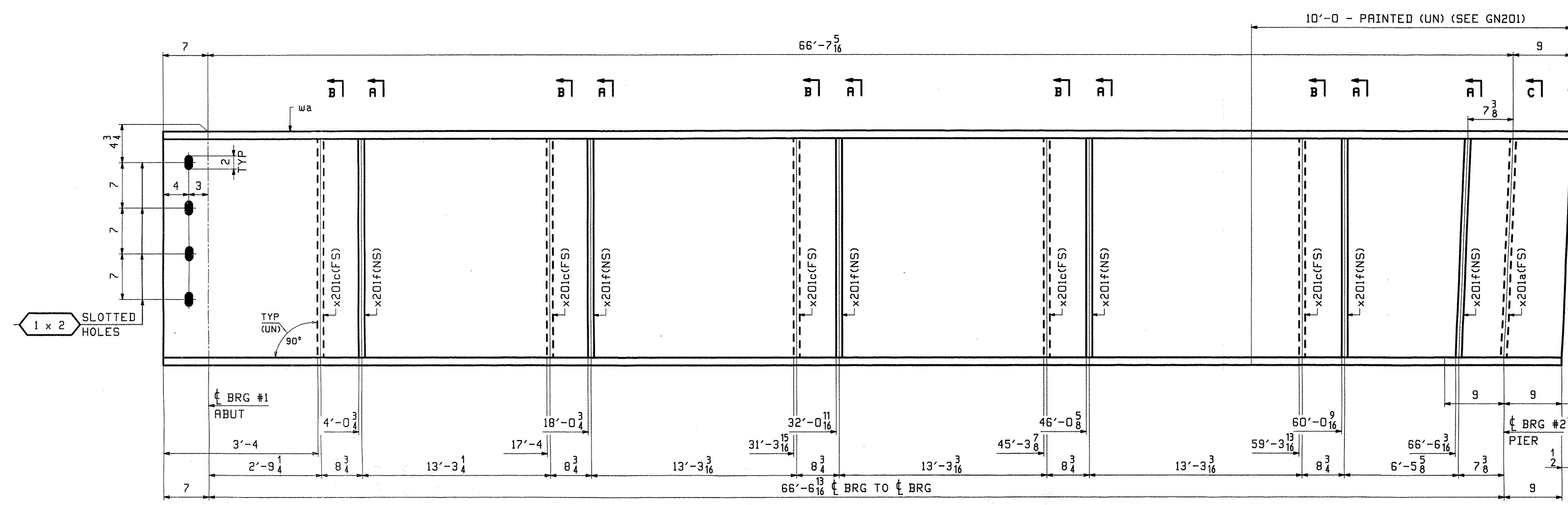


ABM INFO		SHIP				BILL OF MATERIAL				JOB NO.		DRAWING NO.		REV.
										498		204		
PAGE	LINE	MARK	QTY	MARK	MATERIAL	LENGTH		REMARKS		WT	PROCUREMENT NOTES			
						FT	INCHES							
		204S4	1		STRINGER							10481		
201	G		1	wa	W 36x150	67	11 ⁵ / ₁₆		M270-50HT2					
202	B		1	x201a	PL 1/2x5	2	10		MIE M270-50H					
202	C		5	x201c	PL 1/2x5	2	10		M270-50H					
202	C		6	x201f	PL 1/2x5	2	10		M270-50H					



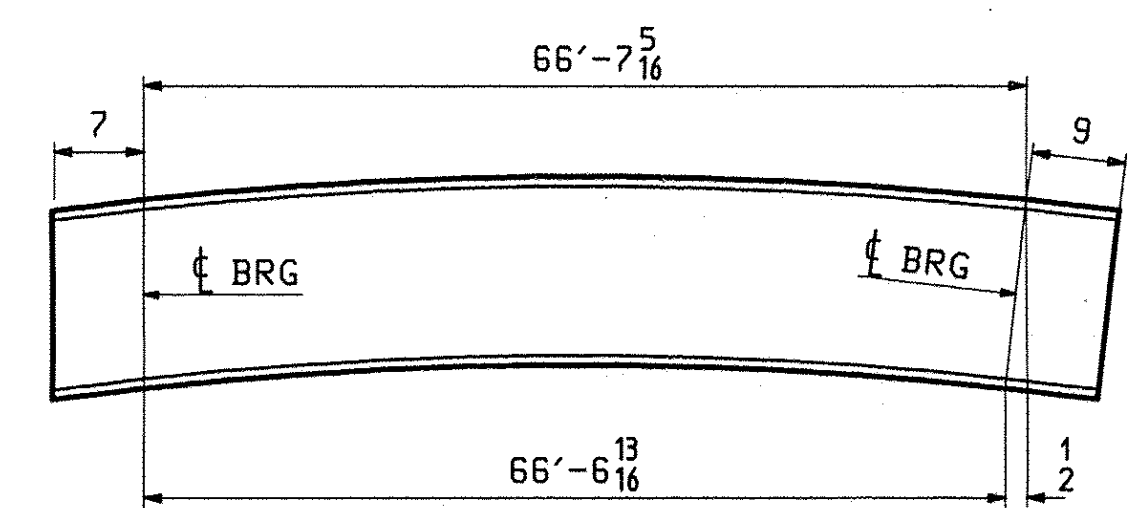
NOTE "B"
SEE CAMBER DIAGRAM

NOV 14 2011
APPROVED BY: [Signature]

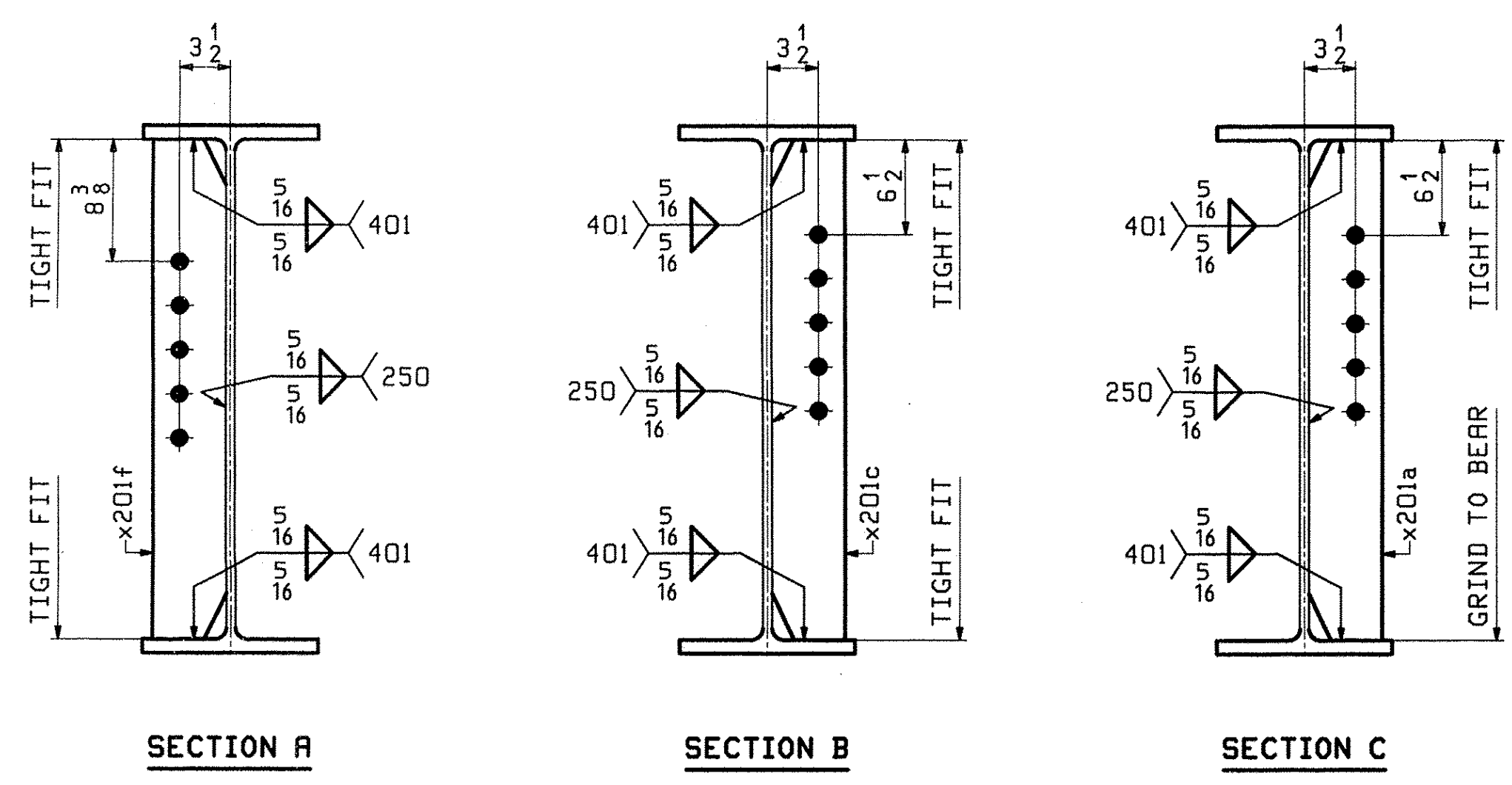
ONE - STRINGER - 204S4

FOR STANDARD DETAILS SEE DRAWING X201.
FOR CAMBER DIAGRAM SEE DRAWING C201.
FOR GENERAL NOTES SEE DRAWING GN201.
T2 DENOTES MATERIAL SUBJECT TO CHARPY V-NOTCH TESTING.

NOTE "B"
NO PAINT AREA AT EDGES AND BOTTOM OF BOTTOM FLANGE.
(FIELD WELDED SOLE PLATE).



ORIENTATION DIAGRAM FOR CAMBER SEE DWG C201



REV.	DATE	REMARKS	DWN	CHK	APVL	SHOP
0						
MATERIAL:		SURFACE PREP. & PAINT:		HOLES:		SHOP BOLTS:
M270-50W		SEE DWG GN201		15.16		NONE
DESCRIPTION: STRINGER - 204S4						
CASCO BAY STEEL STRUCTURES, INC. 1 WALLACE AVE. PHONE (207) 780-6722 SOUTH PORTLAND, ME 04106 FAX. (207) 780-6726						
STRUCTURE: VT 107 (RIVER STREET) over WHITE RIVER APPROACH SPAN County of WINDSOR				DRAWN: JTB	DATE: 09/29	
				CHKD: PCP	DATE: 10/4/11	
LOCATION: TOWN OF BETHEL, VERMONT				JOB NO. 498	DWG NO. 204	
PROJ NO. BRP 022-1(14)						
CUSTOMER: BECK & BELLUCCI						REV. [Symbol]