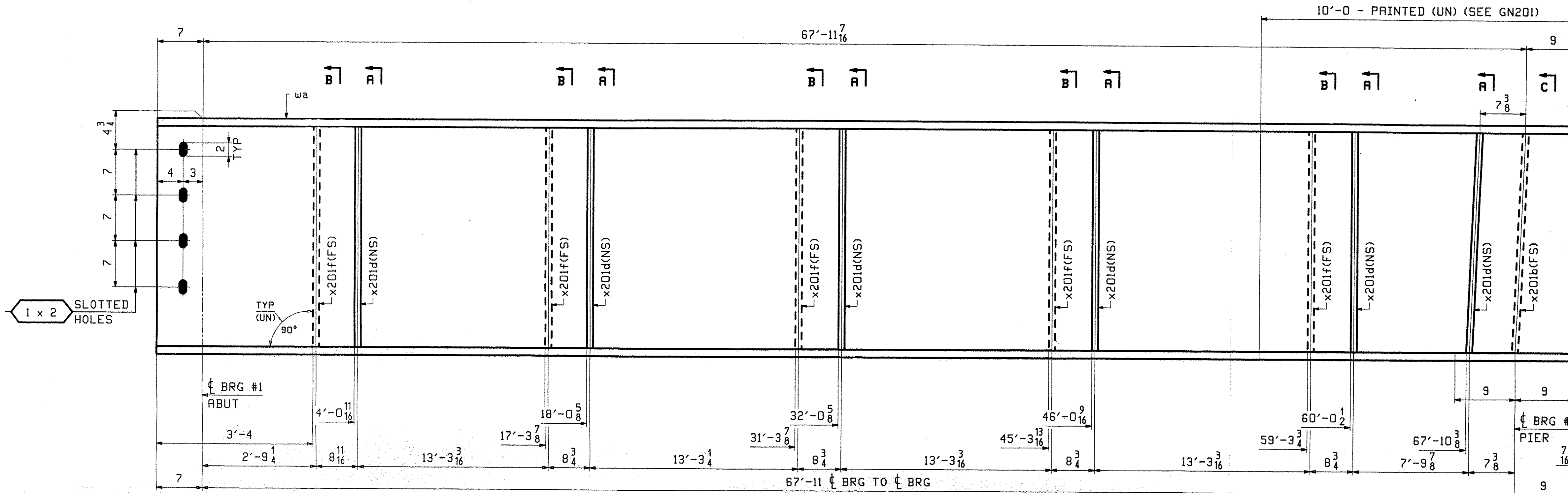


ABM INFO		SHIP		BILL OF MATERIAL				JOB NO.	DRAWING NO.	REV.
PAGE	LINE	MARK	QTY	MARK	MATERIAL	LENGTH FT	INCHES	REMARKS	WT	PROCUREMENT NOTES
		203S3	1		STRINGER				10682	
201	E		1	wa	W 36x150	69	3/16	M270-S0W T2		
202	B		1	x201b	PL 1/2 x 5	2	10	MIE M270-S0W		
202	C		6	x201d	PL 1/2 x 5	2	10	M270-S0W		
202	C		5	x201f	PL 1/2 x 5	2	10	M270-S0W		



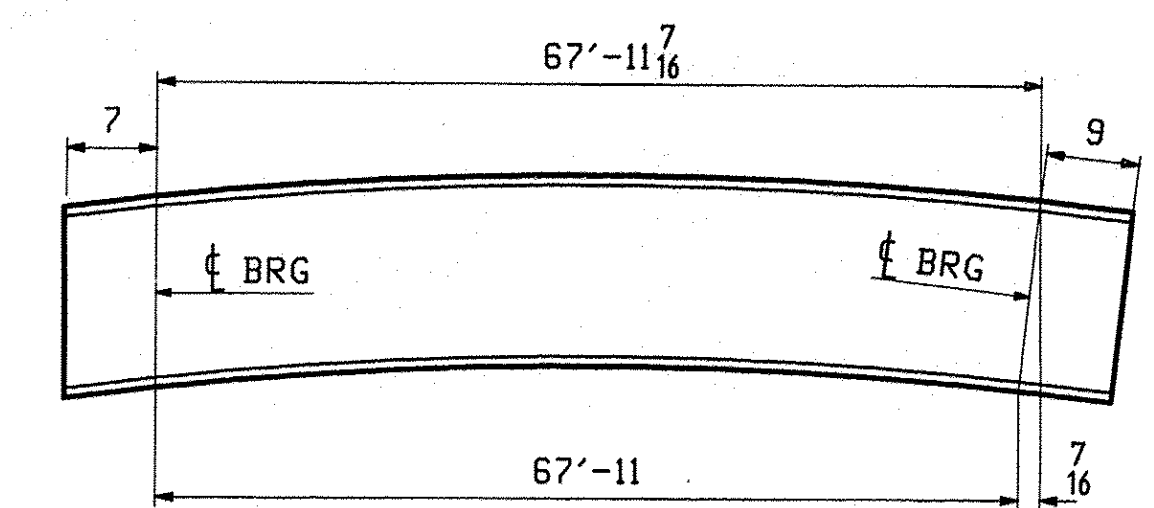
NOTE "B"
SEE CAMBER DIAGRAM

ONE - STRINGER - 203S3

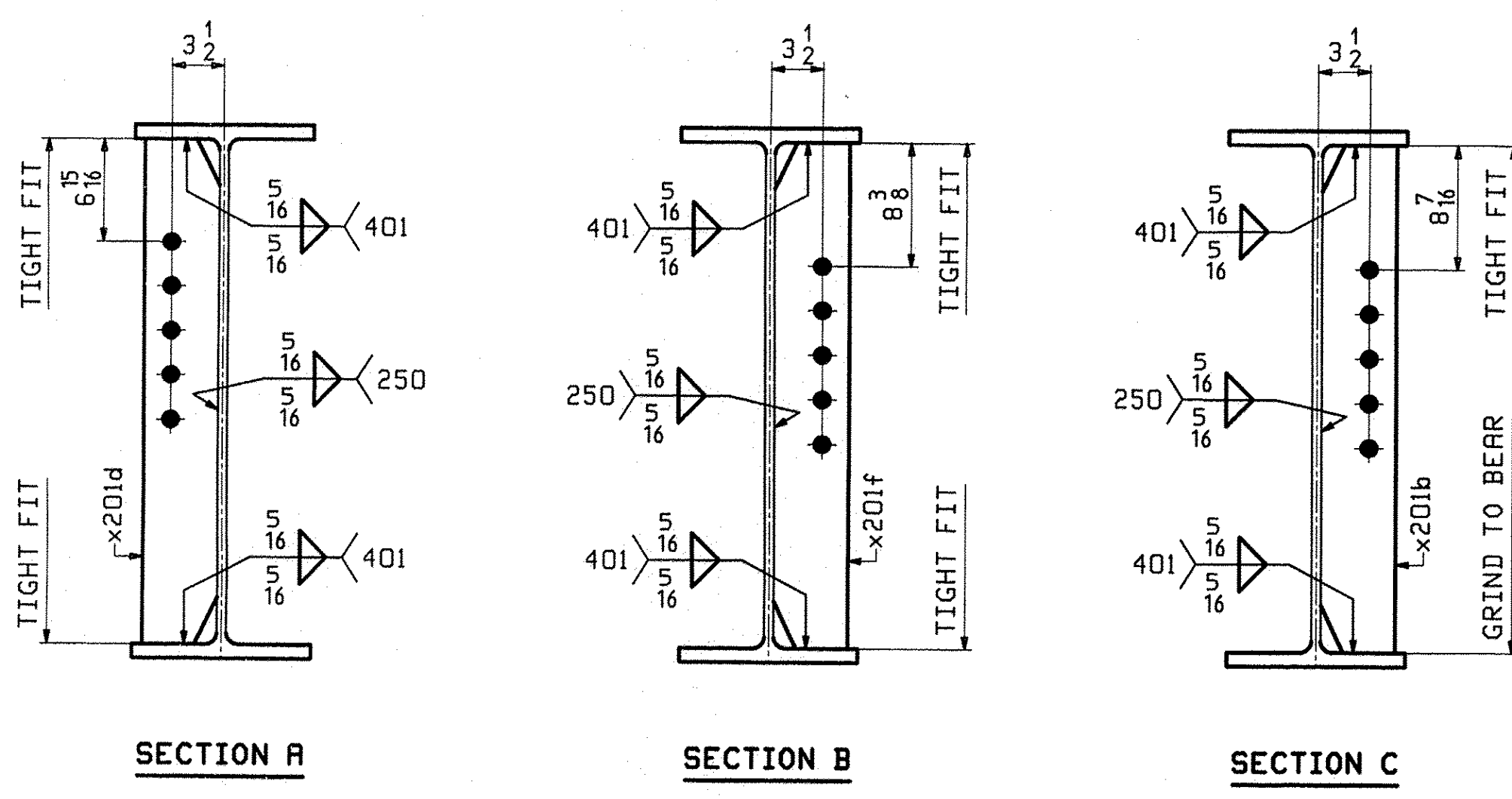
FOR STANDARD DETAILS SEE DRAWING X201.
FOR CAMBER DIAGRAM SEE DRAWING C201.
FOR GENERAL NOTES SEE DRAWING GN201.
T2 DENOTES MATERIAL SUBJECT TO CHARPY V-NOTCH TESTING.

NOTE "B"
NO PAINT AREA AT EDGES AND BOTTOM OF BOTTOM FLANGE.
(FIELD WELDED SOLE PLATE).

NOV 14 2011
APPROVED BY: [Signature]
DATE: 11/12/11



ORIENTATION DIAGRAM FOR CAMBER SEE DWG C201



REV.	DATE	REMARKS	DWN	CHK	APVL	SHOP
0						
MATERIAL:		SURFACE PREP. & PAINT:		HOLES:		SHOP BOLTS:
M270-S0W		SEE DWG GN201		15/16 Ø		NONE
DESCRIPTION: STRINGER - 203S3						
CASCO BAY STEEL STRUCTURES, INC. 1 WALLACE AVE. PHONE (207) 780-6722 SOUTH PORTLAND, ME 04106 FAX. (207) 780-6726						
STRUCTURE: VT 107 (RIVER STREET) over WHITE RIVER APPROACH SPAN County of WINDSOR				DRAWN:	DATE:	
				JTB	09/29	
				CHKD:	DATE:	
				PCP	10/4/11	
LOCATION: TOWN OF BETHEL, VERMONT				JOB NO.	DWG NO.	
PROJ NO. BRF 022-1(14)				498	203	
CUSTOMER: BECK & BELLUCCI					REV.	▲

JTB Nov 04 5:00 PM 09/29/11