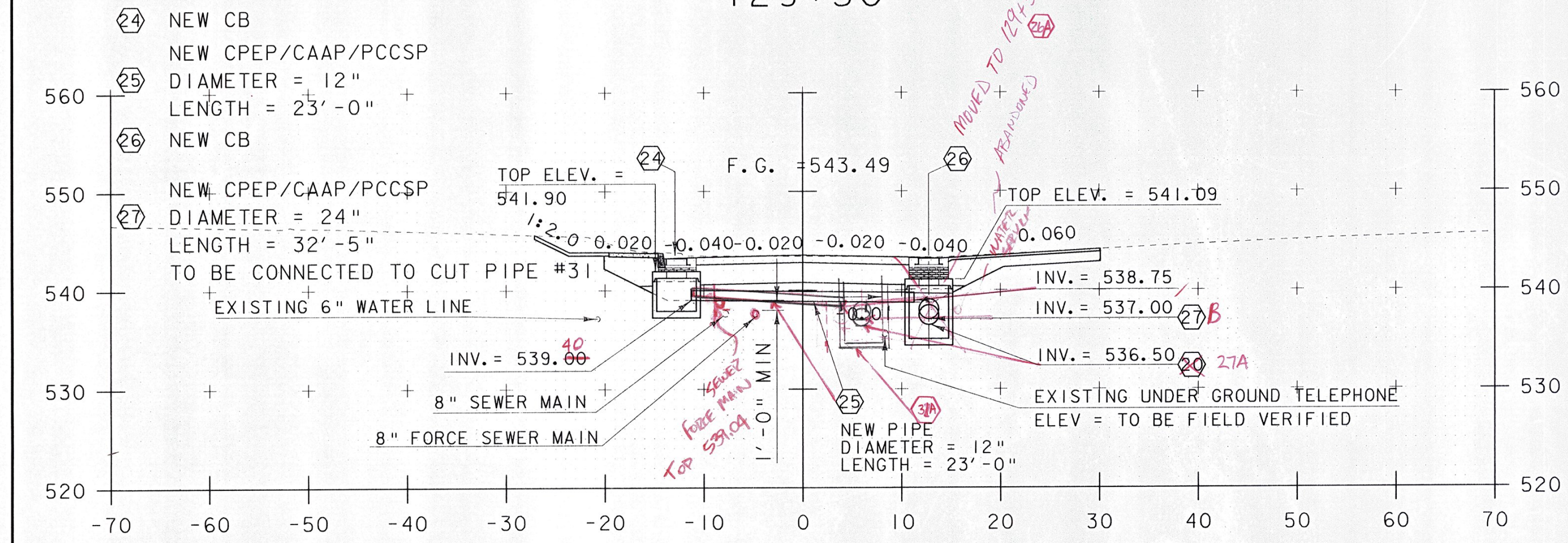
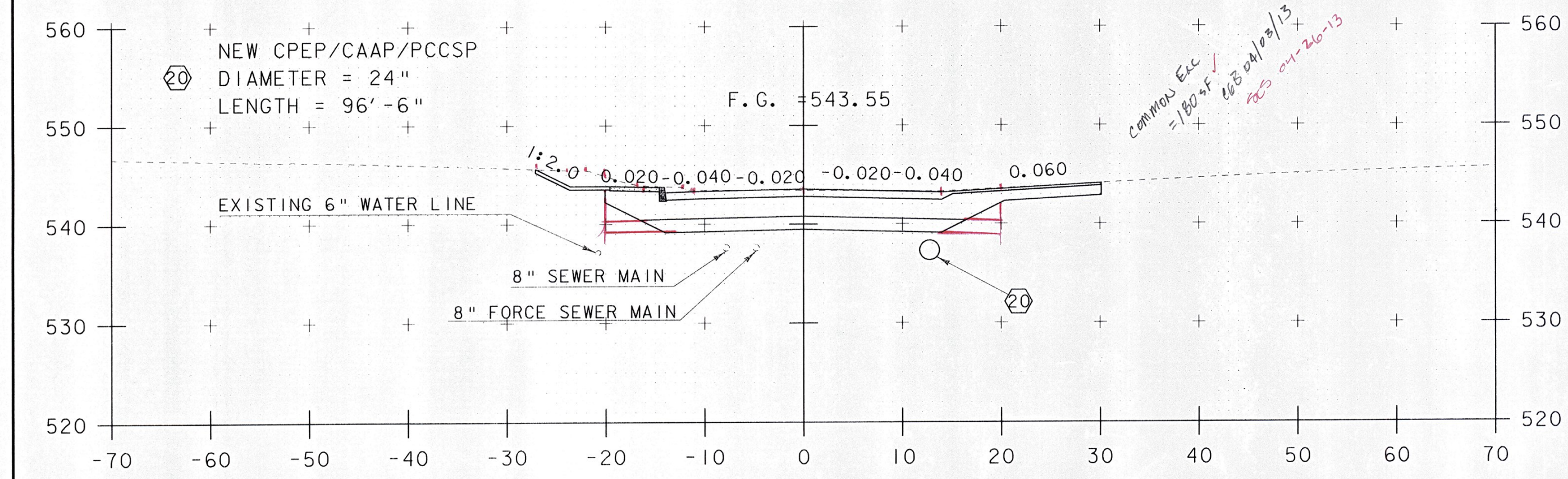


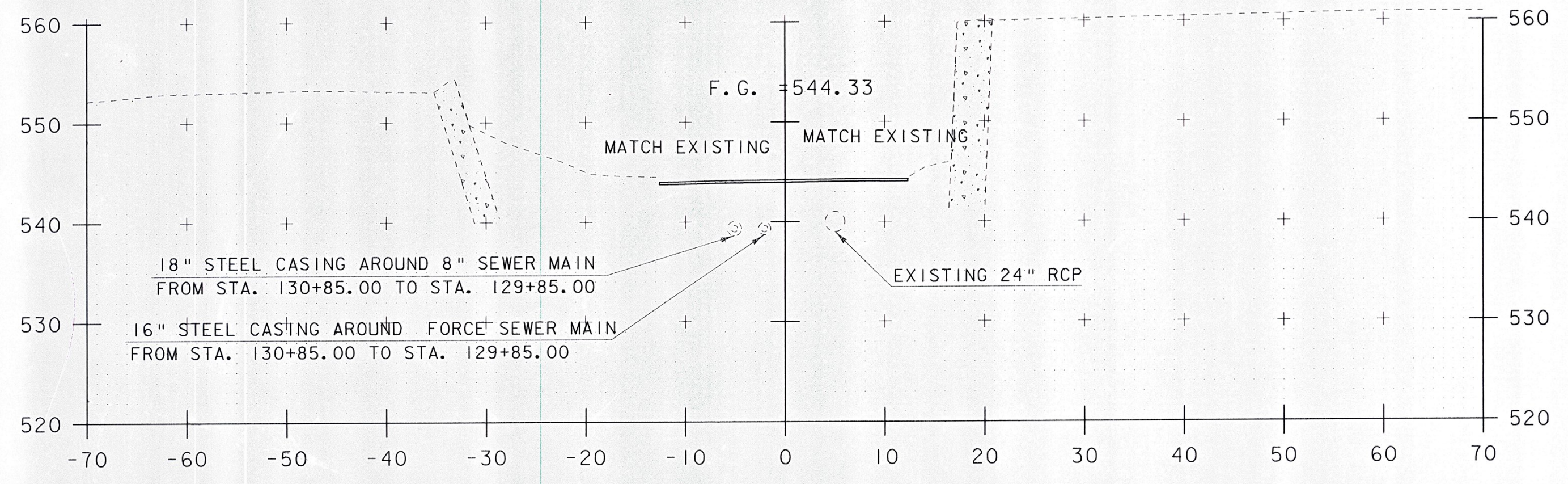
129+50



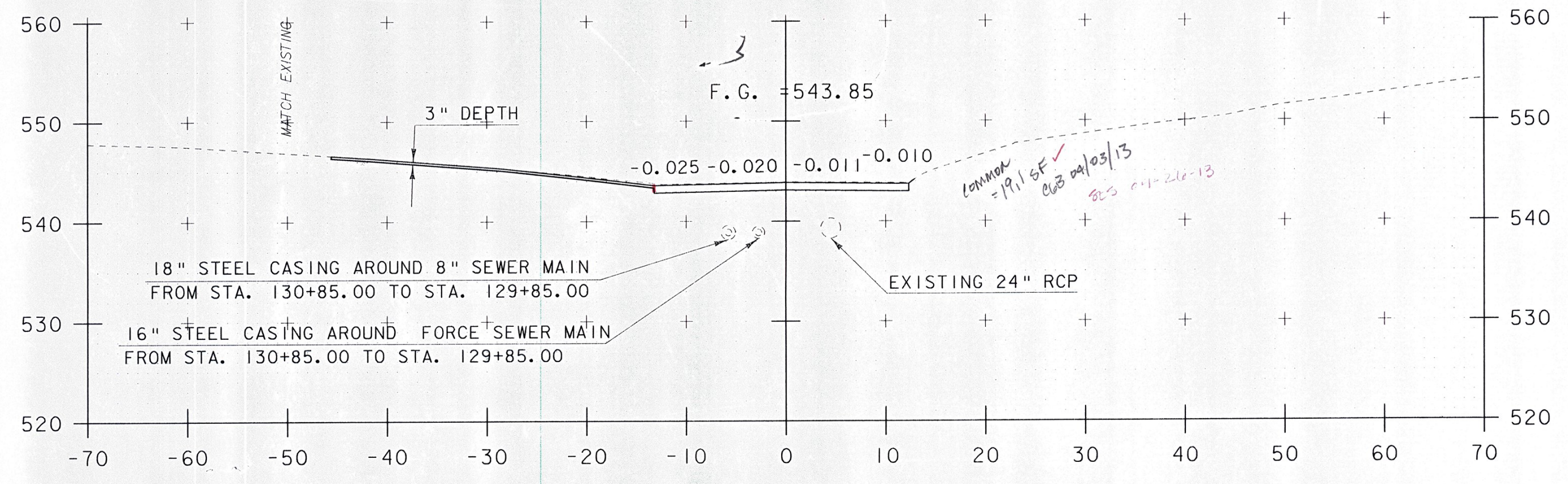
129+42
PRECAST CONCRETE CATCH BASINS (LT/RT)



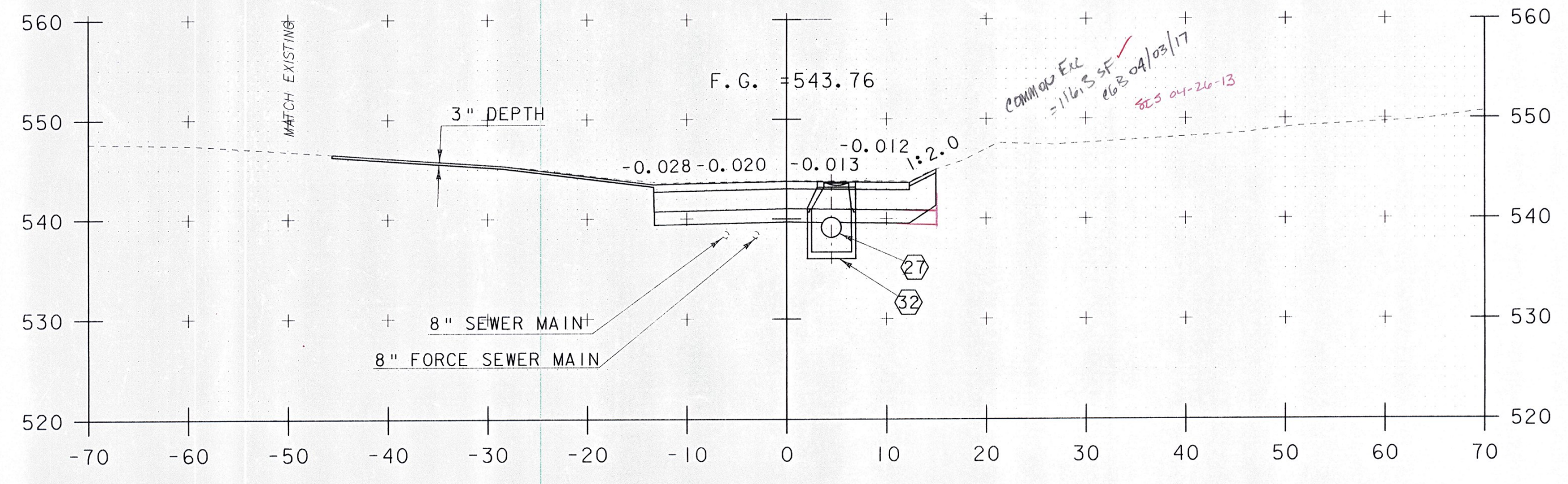
129+25



130+00

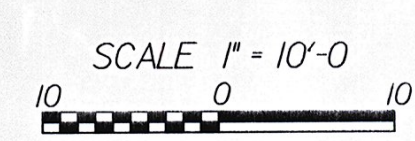


129+80
END MATERIAL TRANSITION



129+75
END PROJECT
(TH5 PEAVINE BLVD LT)

NOTE CB PRECAST CONCRETE CATCH BASIN



PROJECT NAME:	BETHEL	PLOT DATE:	20-MAY-2011
PROJECT NUMBER:	BRF 022-1(14)	DRAWN BY:	G. ROKES
FILE NAME:	78-FIG1\STR\sf161xs.dgn	DESIGNED BY:	S. SCRIBNER
PROJECT LEADER:	M. EVANS-MONGEON	CHECKED BY:	S. SCRIBNER
VT I07 CROSS SECTION SHEET 10		SHEET	116 OF 148

STA. 129+25 TO STA. 130+00