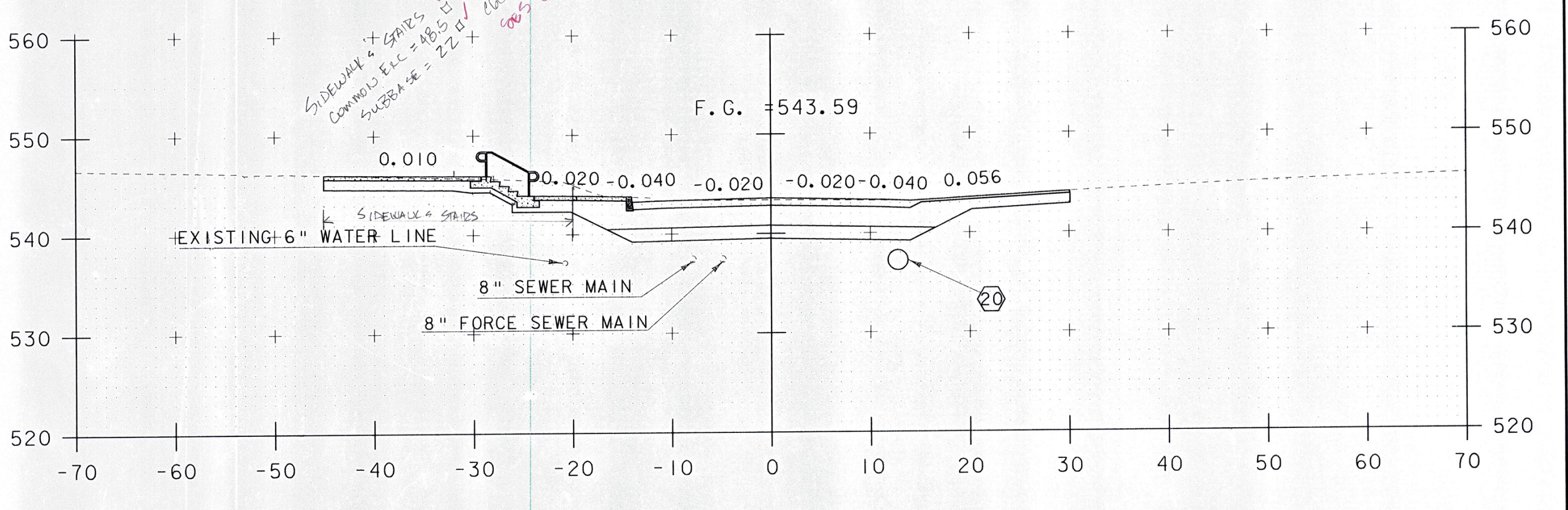
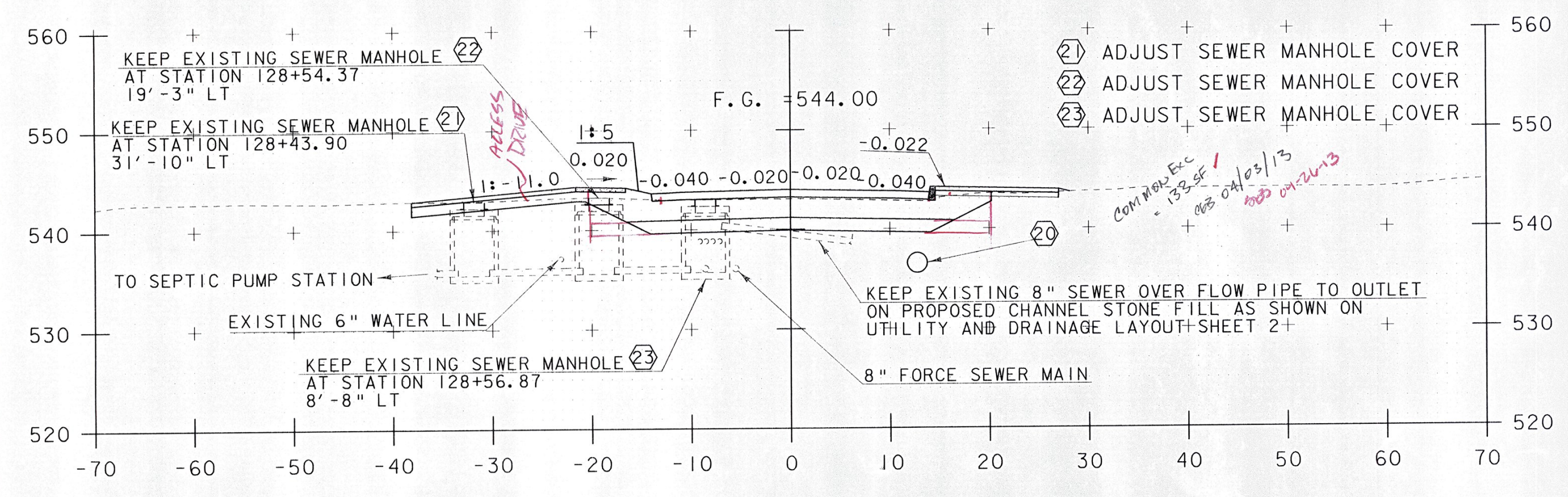


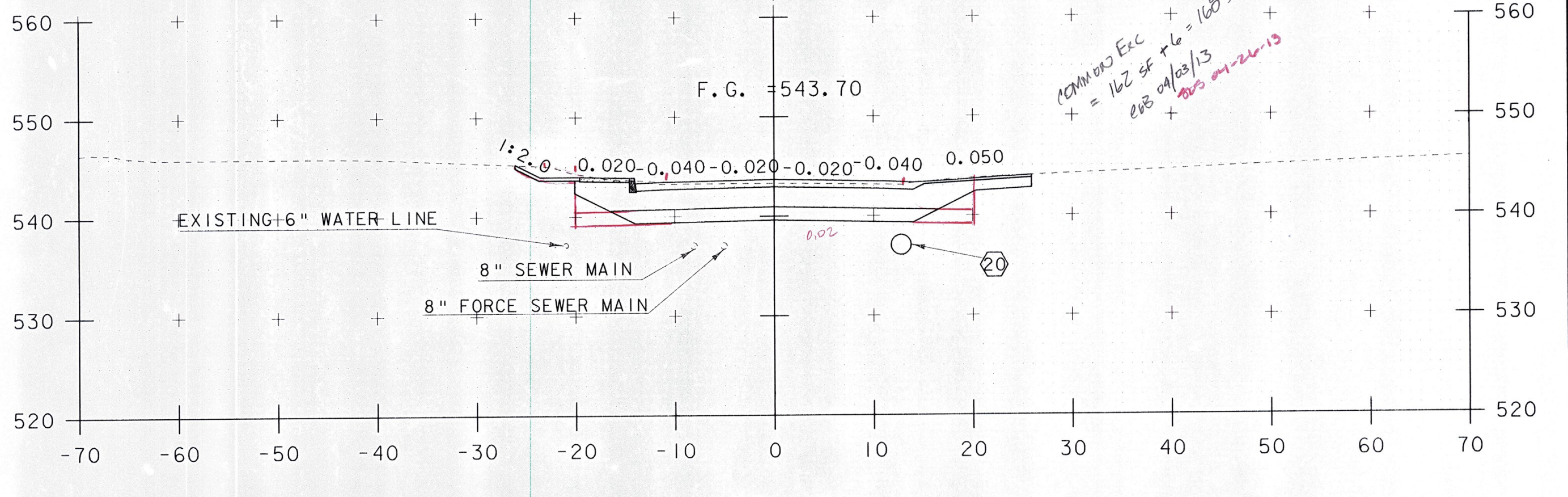
128+75



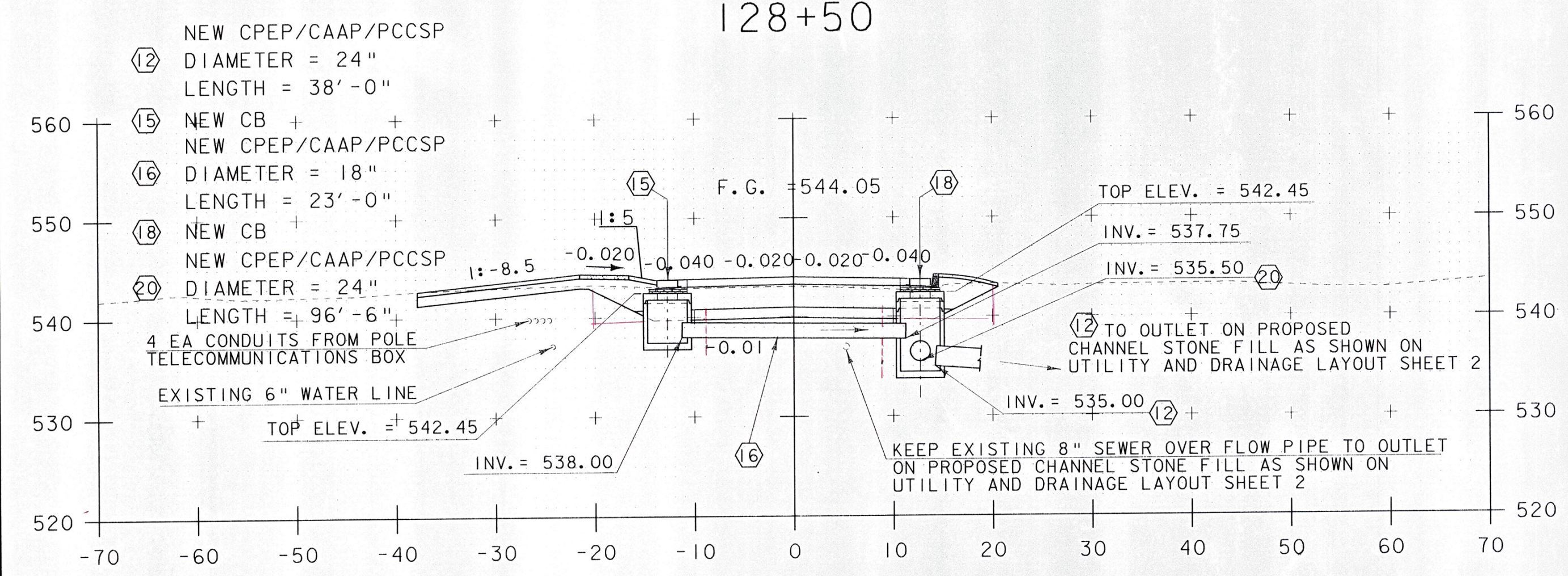
129+18  
 CAST IN PLACE STAIRS TO HOUSE LEFT



128+50

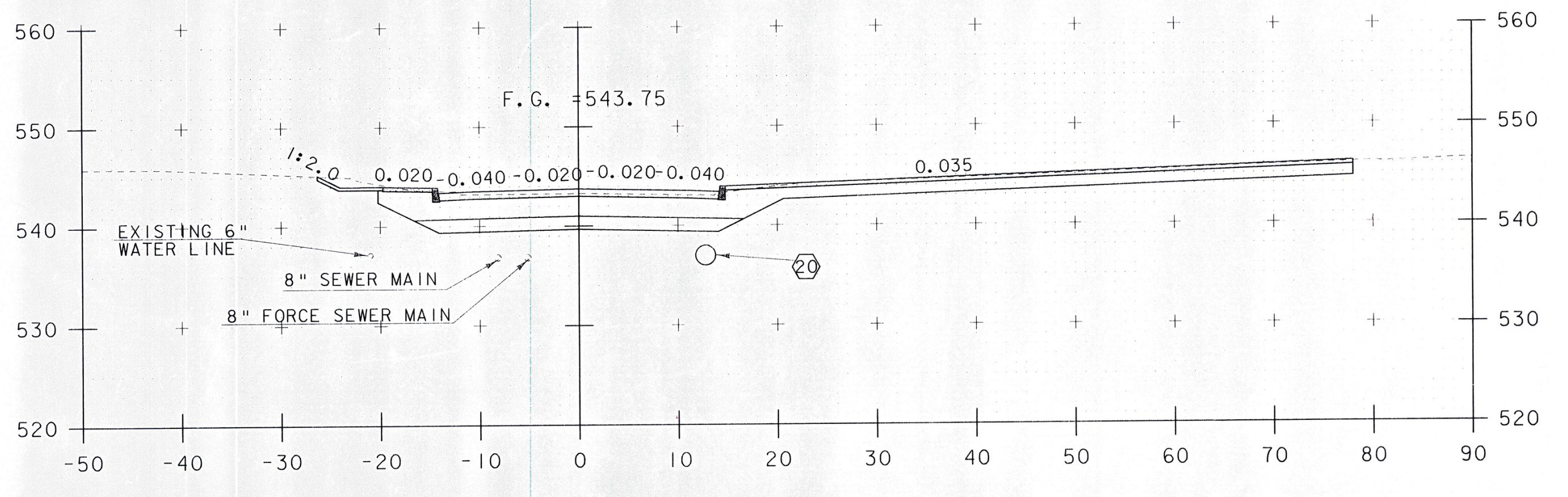
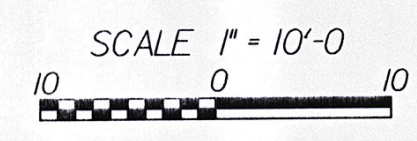


129+00



128+41  
 PRECAST CONCRETE CATCH BASINS (LT/RT)

NOTE CB PRECAST CONCRETE CATCH BASIN



128+92  
 SKEWED SECTION AT HOUSE SIDEWALK (SKEWED 9°) RT

STA. 128+41 TO STA. 129+18

PROJECT NAME: BETHEL	PLOT DATE: 20-MAY-2011
PROJECT NUMBER: BRF 022-1(14)	DRAWN BY: G. ROKES
FILE NAME: 78f161\STR\sf161xs.dgn	CHECKED BY: S. SCRIBNER
PROJECT LEADER: M. EVANS-MONGEON	SHEET 115 OF 148
DESIGNED BY: S. SCRIBNER	
VT 107 CROSS SECTION SHEET 9	