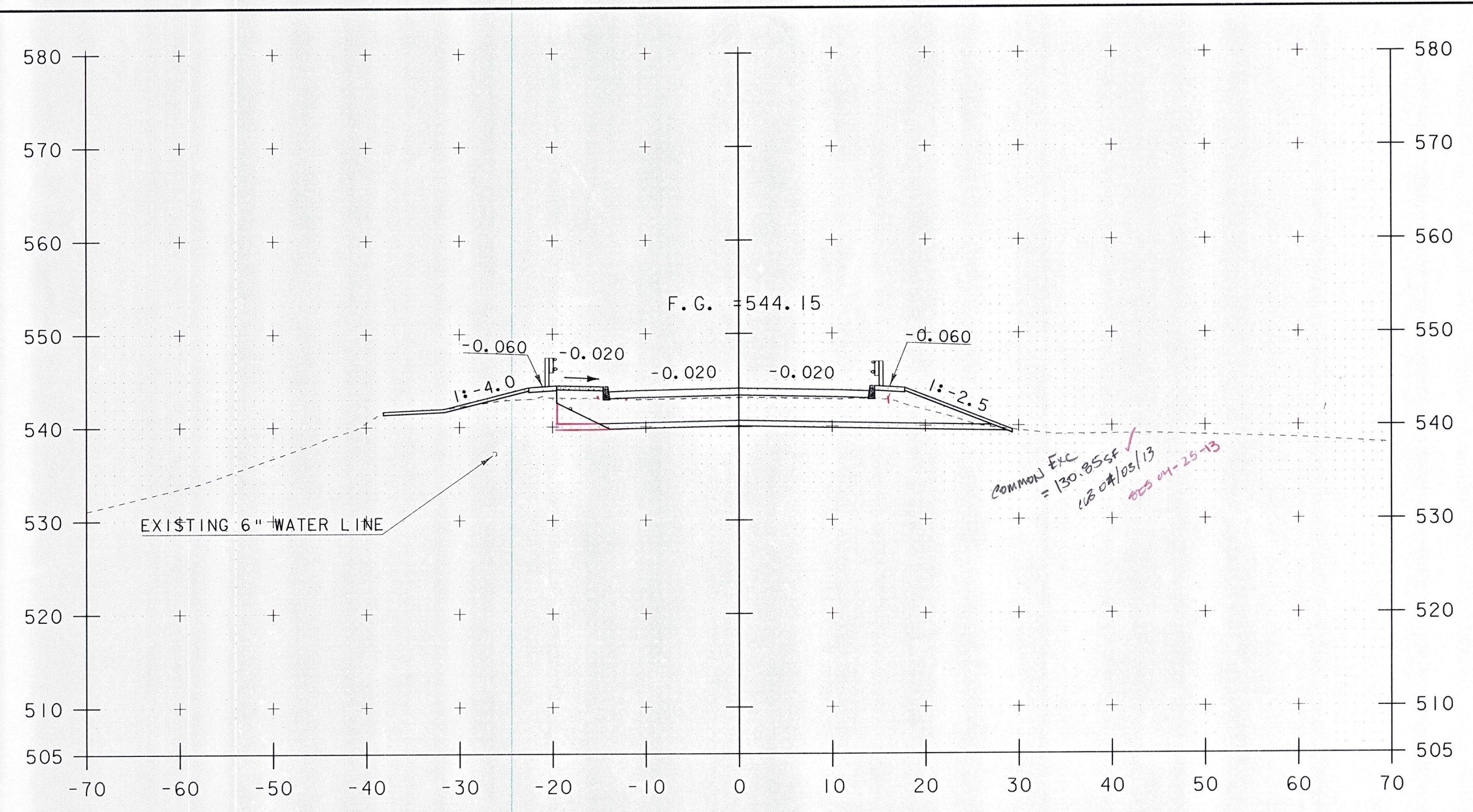
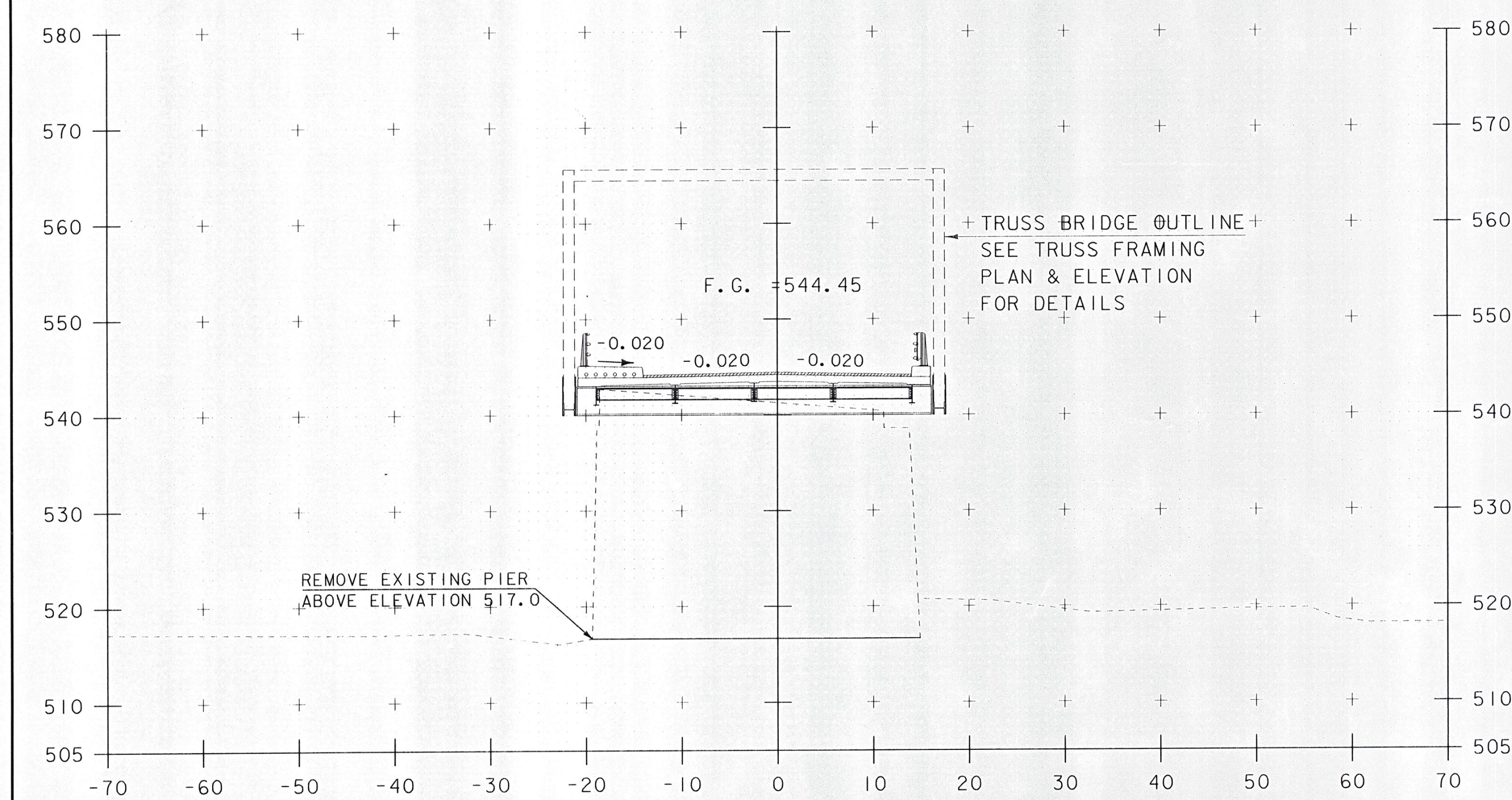


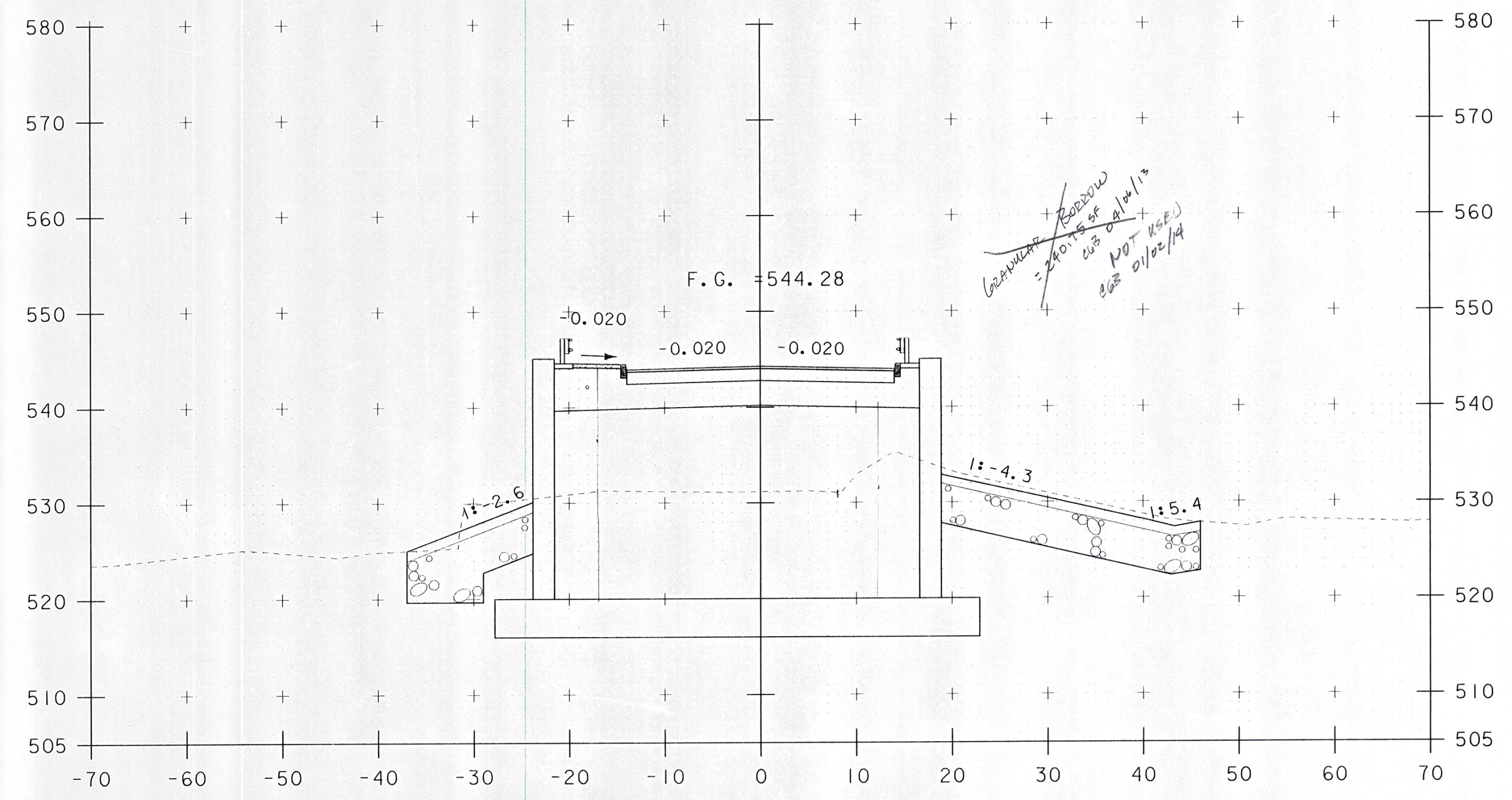
128+00



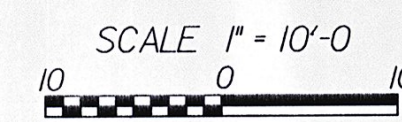
128+25



127+75



128+02.50
END BRIDGE



PROJECT NAME:	BETHEL	PLOT DATE:	20-MAY-2011
PROJECT NUMBER:	BRF 022-1(14)	DRAWN BY:	G. ROKES
FILE NAME:	78\F16\STR\sf16ixs.dgn	CHECKED BY:	S. SCRIBNER
PROJECT LEADER:	M. EVANS-MONGEON	SHEET	114 OF 148
DESIGNED BY:	S. SCRIBNER		
VT 107 CROSS SECTION SHEET	8		

STA. 127+75 TO STA. 128+25